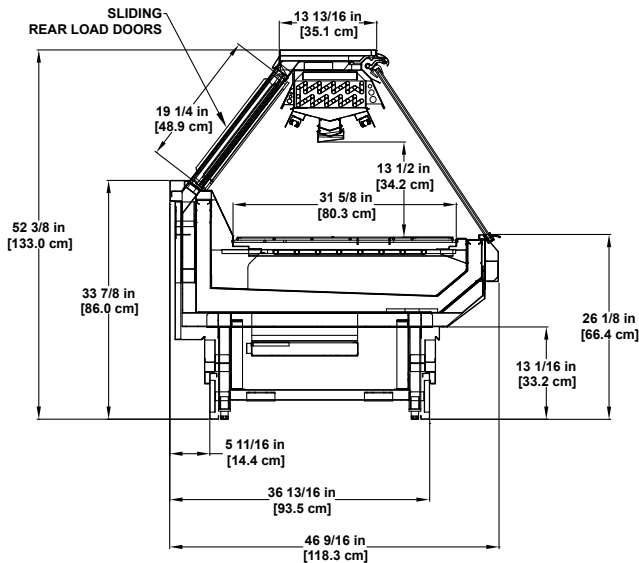


# Service Single-Deck

Refrigerated gravity coil merchandiser for deli, meat and seafood.





Please consult Hillphoenix Engineering Reference Manual for dimensions, plan views and technical specifications. Specifications subject to change without notice. Designed for optional performance in store environments where temperature and humidity do not exceed 75° F and 55% R.H. Certified to UL 471 and ANSI/NSF Standard 7.

## Base Model Features

- C-frame with bullet leg construction.
- Standard 52-3/8"H with 13-11/16"H base frame height.
- Exterior: Painted metal, including lower front panel above base.
- Stainless steel base trim, front and sides.
- Stainless steel exterior trim.
- Painted metal outside back and rear base trim.
- Stainless steel top sill.
- Flush stainless steel flat rear sill.
- Clear rear load doors with black frames.
- Thermopane, 5/8" insulated regular-glare flat lift front glass.
- Stainless steel interior and trim.
- Black plastic coil covers with fixed black wire rack.
- Clearvoyant LED canopy light.
- Gravity coil refrigeration.
- Rear electrical box mounted behind the lower rear panel.
- Solar digital thermometer.
- Remote DX refrigeration package.

## Available Options

- Available lengths: 4', 6', 8' and 12'.
- Case heights available: 48" and 56".
- Alternate flexible base heights include: 11" and 19"H.
- Extruded polymer base trim.
- Painted metal base trim.
- Master or prestige bumper with nose bumper.
- Cart bumper (for flat front profile).
- Exterior stainless steel finish.
- Solid surface or stone case top.
- Integrated casetop scale stand.
- Adjustable scalestand.
- White plastic coil covers.
- Adjustable wire racks.
- Ice pans.
- Reflective rear load doors.
- Solid or dot matrix glass black or gray glass masking.
- Fixed and rear flip-up work boards.
- ISO outlet/CON outlets.
- Second row of canopy lighting.
- Solid interior mirror polish stainless steel, thermal glass divider or glass ends.
- Remote glycol or CO<sub>2</sub> refrigeration packages.



Dover Food Retail  
Conyers, GA USA  
844.591.5937  
hillphoenix.com

**Hillphoenix**

©2020 Hillphoenix, Inc.