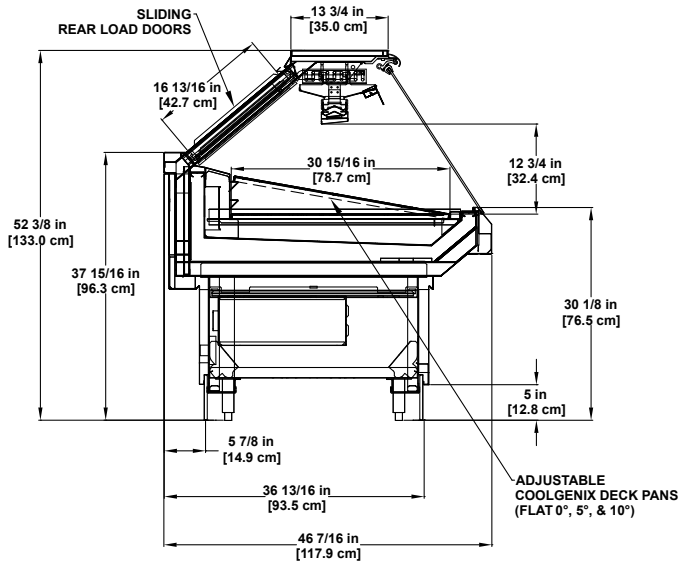


# Service Single-Deck

Coolgenix® refrigerated merchandiser for meat and seafood with curved or flat lift-glass.





Please consult Hillphoenix Engineering Reference Manual for dimensions, plan views and technical specifications. Specifications subject to change without notice. Designed for optional performance in store environments where temperature and humidity do not exceed 75° F and 55% R.H. Certified to UL 471 and ANSI/NSF Standard 7.

## Base Model Features

- Exclusive Hillphoenix® Coolgenix® technology.
- C-frame with bullet leg construction.
- Standard 52"H with 22-3/8"H base frame height.
- Standard 46-7/16"D.
- Shipping casters.
- Exterior: Painted metal, including lower front panel above base.
- Stainless steel base trim; front, sides & rear.
- Stainless steel exterior trim.
- Stainless steel upper and lower outside back.
- Stainless steel case top.
- Flush stainless steel flat rear sill.
- Clear rear load doors with black frames.
- Single-pane, regular-glare flat lift front glass.
- Stainless steel interior.
- Interior trim to match interior.
- Black Coolgenix deck pans with quick disconnects.
- Clearvoyant LED canopy lighting.
- Rear electrical box mounted behind the lower rear panel.
- Solar digital thermometer.
- Remote glycol Coolgenix refrigeration package.

## Available Options

- Available lengths: 4', 6', 8' and 12'.
- Also available: 48" and 56" (48" remote only).
- Sled runner base.
- Painted metal base trim.
- Poly master with nose bumper.
- Prestige bumper (silver anodized or painted) with cart bumper.
- Cart bumper (for flat front profile).
- Exterior stainless steel finish.
- Painted outside back.
- Solid surface or stone case top.
- Integrated case top scale stand.
- Poly or stainless adjustable scale stand with ISO outlet.
- White or silver deck pan colors.
- Longer hoses.
- Reflective rear load doors.
- Single-pane, regular-glare curved lift front glass.
- Single-pane, non-glare curved or flat lift front glass.
- Solid or dot matrix glass black or gray glass masking.
- Black anodized hardware.
- (Black, gray, or custom paint) glass handle.
- Rear flip-up or fixed work boards.
- CON outlets or CAT5.
- Second row of canopy lighting.
- Vented toekick.
- Solid interior mirror polish stainless steel, thermal glass divider or glass ends.
- Deck product stop available in plex and SS.
- Decorative plex ice trough for case front.
- Semi self-contained required with DX or CO<sub>2</sub> refrigeration packages.



Dover Food Retail  
Conyers, GA USA  
844.591.5937  
hillphoenix.com

**Hillphoenix**

©2020 Hillphoenix, Inc.