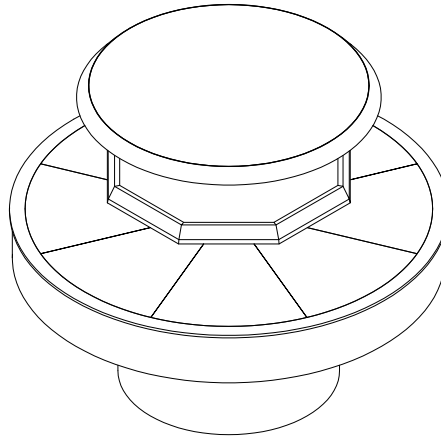


GENERAL NOTES:

- "---" Indicates that the feature is not an option on this case model and/or the data is not yet available at this time.



SHIPPING WEIGHT	
Case	Weight
DI-H-MD	---



ENGINEERED FOR STORES WITH AMBIENT CONDITIONS NOT TO EXCEED 75° AND 55% RELATIVE HUMIDITY. DUE TO ENGINEERING IMPROVEMENTS SPECIFICATIONS MAY CHANGE WITHOUT NOTICE. ALL MEASUREMENTS ARE TAKEN PER ASHRAE-72-2005 SPECIFICATIONS. NUMBERS ARE BASED ON STANDARD CASE SIZES. CONSULT ENGINEERING.

DI-H-MD

Rev. Date	Rev. #	Rev. Title
08-02-21	3	DATA UPDATE
07-30-21	2	DESCRIPTION

SELF-SERVICE DATA									
Case Length	Top Heaters		Bottom Heaters		Lights		Total Amps (208-3-60) (per shelf)		
	Qty	Watts (Each)	Qty	Watts (Each)	Qty	Watts (Each)	L1	L2	L3
505	8	250	8	345	4	40	19.77	16.41	18.17
606	8	250	8	620	4	40	25.17	25.06	25.28

ELECTRICAL DATA			
Case Length	Fans Per Case	Control Fans 208 Volts	
		Amps	Watts
505	1	0.11	22
606	1	0.11	22

LIGHTING DATA				
Case Length	Lights Per Row	Light Length	Incandescent Lighting (Per Light Row)	
			Amps	Watts
505	4	---	0.33	40
606	4	---	0.33	40

NOTES:

- "----" Indicates that the feature is not an option on this case model and/or the data is not yet available at this time.

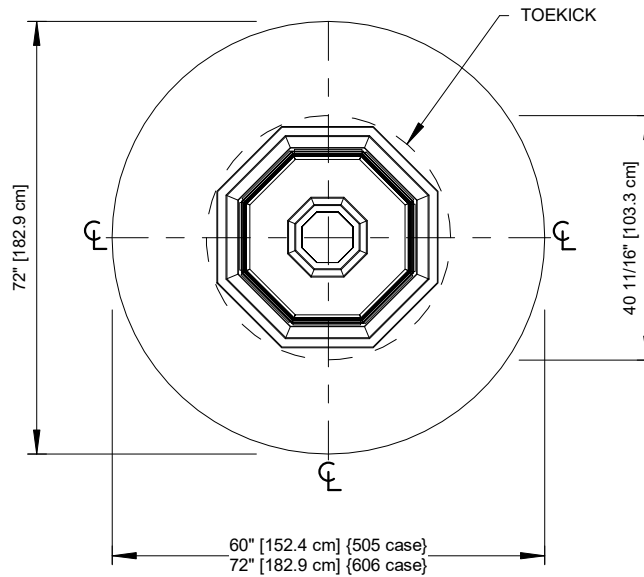
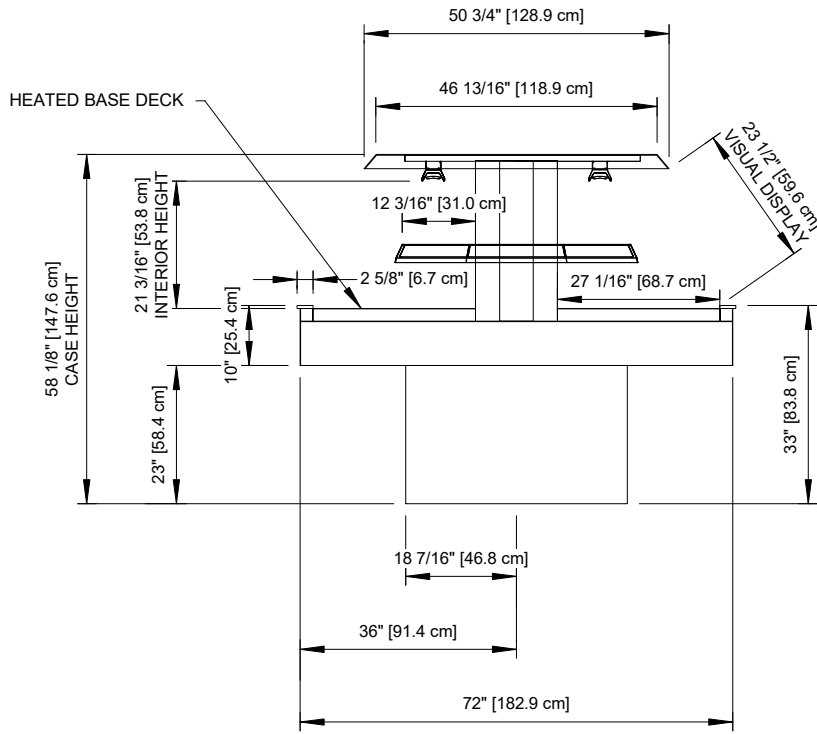


ENGINEERED FOR STORES WITH AMBIENT CONDITIONS NOT TO EXCEED 75° AND 55% RELATIVE HUMIDITY. DUE TO ENGINEERING IMPROVEMENTS SPECIFICATIONS MAY CHANGE WITHOUT NOTICE. ALL MEASUREMENTS ARE TAKEN PER ASHRAE-72-2005 SPECIFICATIONS. NUMBERS ARE BASED ON STANDARD CASE SIZES. CONSULT ENGINEERING.

DI-H-MD

Rev. Date	Rev. #	Rev. Title
08-02-21	3	DATA UPDATE
07-30-21	2	DESCRIPTION





ENGINEERED FOR STORES WITH AMBIENT CONDITIONS NOT TO EXCEED 75° AND 55% RELATIVE HUMIDITY. DUE TO ENGINEERING IMPROVEMENTS SPECIFICATIONS MAY CHANGE WITHOUT NOTICE. ALL MEASUREMENTS ARE TAKEN PER ASHRAE-72-2005 SPECIFICATIONS. NUMBERS ARE BASED ON STANDARD CASE SIZES. CONSULT ENGINEERING.

DI-H-MD

Rev. Date	Rev. #	Rev. Title
08-02-21	3	DATA UPDATE
07-30-21	2	DESCRIPTION