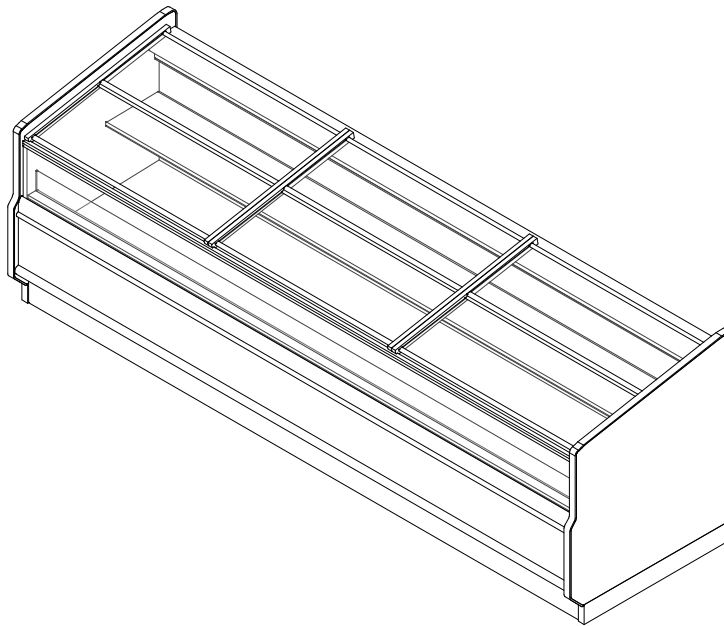


# O2DMZD

4', 6', 8', 12' Low Temp Island Merchandiser  
Frozen Food

## GENERAL NOTES:

- "---" Indicates that the feature is not an option for this case model and/or the data is not yet available.
- Maximum of 1 row of Standard Output LED lighted shelves.



SHIPPING WEIGHT	
Case	Weight
O2DMZD	---



ALL MEASUREMENTS ARE TAKEN PER ASHRAE-72-2005 SPECIFICATIONS. HILLPHOENIX REFRIGERATED DISPLAY CASES FOR SALE IN THE UNITED STATES MEET OR EXCEED DEPARTMENT OF ENERGY 2017 REQUIREMENTS.

## O2DMZD

Rev. Date	Rev. #	Rev. Title
12-12-19	5	NOTES UPDATE
5-21-19	4	ENDVIEW UPDATE

**Hillphoenix**  
A DOVER COMPANY

# O2DMZD

4', 6', 8', 12' Low Temp Island Merchandiser  
Frozen Food

ELECTRICAL DATA									
Case Length	Fans Per Case	High Efficiency Fans		Anti Condensate Heaters		Defrost Heaters			
		120 Volt		120 Volts		208 Volts		240 Volts	
		Amps	Watts	Amps	Watts	Amps	Watts	Amps	Watts
4'	1	0.15	11.0	0.52	62.4	5.7	1200	6.6	1598
6'	2	0.30	22.0	0.78	93.6	8.7	1800	10.0	2400
8'	2	0.30	22.0	1.04	124.8	11.5	2400	13.3	3195
12'	3	0.45	33.0	1.56	187.2	17.3	3600	20.0	4795

LIGHTING DATA			
Case Length	Lights per row	Clearvoyant v4 LED Lighting	
		Standard Power (Shelf)	
		120 Volts	
		Amps	Watts
4'	1	0.05	5.9
6'	2	0.08	9.4
8'	2	0.10	11.8
12'	3	0.15	17.6

GUIDELINES AND CONTROL SETTINGS					
BTUH/ft		Superheat Set Point @ Bulb (°F)	Evaporator (°F)	Discharge Air (°F)	Discharge Air Velocity (FPM)
Conventional	Parallel				
215	210	3 - 5	- 17	- 1	50

DEFROST CONTROLS					
Defrosts Per Day	Run Off Time (Min)	Electric Defrost		Hot Gas Defrost	
		Fail-Safe (Min)	Termination Temp (°F)	Fail Safe (Min)	Termination Temp (°F)
1	8 - 10	45	48	30	60

## NOTES:

- "---" Indicates that the feature is not an option for this case model and/or the data is not yet available.
- Listed discharge air velocity represents the average velocity at the peak of defrost. 50 fpm air flow is measured in the top slots of the rear baffle. Air flow at the honeycomb is ~10 fpm.
- Temperature and defrost settings listed above are recommended start-up settings. Final operational settings may need to be adjusted for the store conditions in which the case operates.
- The recommended evaporator temperatures may need to be adjusted based on system setup, store conditions, etc. The minimum recommended evaporator temperature is 4°F below the listed evaporator temperature.

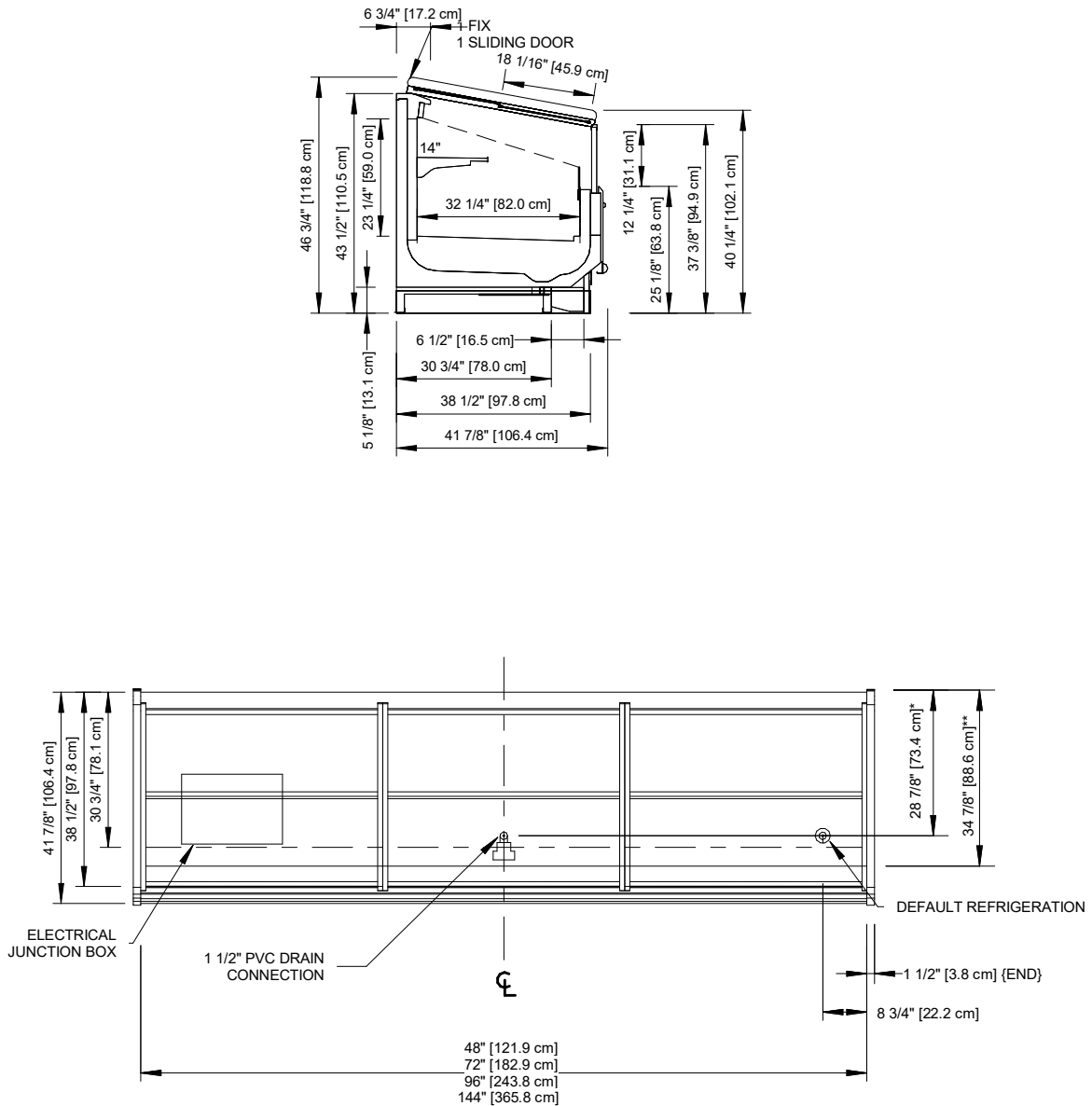


ALL MEASUREMENTS ARE TAKEN PER ASHRAE-72-2005 SPECIFICATIONS. HILLPHOENIX REFRIGERATED DISPLAY CASES FOR SALE IN THE UNITED STATES MEET OR EXCEED DEPARTMENT OF ENERGY 2017 REQUIREMENTS.

## O2DMZD

Rev. Date	Rev. #	Rev. Title
12-12-19	5	NOTES UPDATE
5-21-19	4	ENDVIEW UPDATE

**Hillphoenix**  
A DOVER COMPANY



**NOTES:**

- \* STUB-UP AREA
- \*\* RECOMMENDED STUB-UP CENTERLINE FOR ELECTRICAL AND HUB DRAINS

- Front and rear sill heights vary with base frame height.
- Ends add approximately 1" to case height.



ALL MEASUREMENTS ARE TAKEN PER ASHRAE-72-2005 SPECIFICATIONS. HILLPHOENIX REFRIGERATED DISPLAY CASES FOR SALE IN THE UNITED STATES MEET OR EXCEED DEPARTMENT OF ENERGY 2017 REQUIREMENTS.

**O2DMZD**

Rev. Date	Rev. #	Rev. Title
12-12-19	5	NOTES UPDATE
5-21-19	4	ENDVIEW UPDATE

