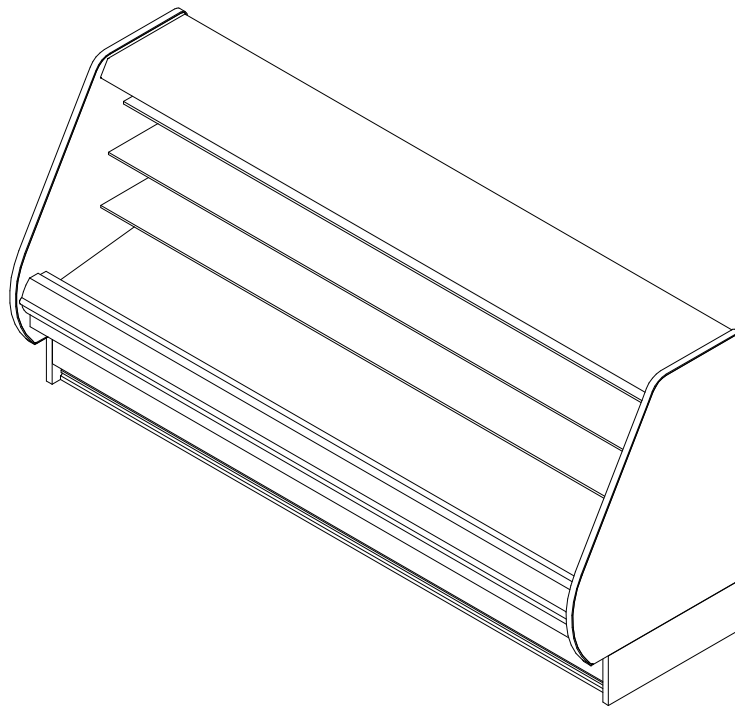


O4UM-NRG

4', 6', 8', 12' MultiDeck Utility Merchandiser with Synergy™
Dairy/Deli/Meat/Produce

GENERAL NOTES:

- "---" indicates that the feature is not an option with this case model and/or the data is not available at this time.
- LED lights only.
- Maximum of 3 rows of standard output LED lighted shelves.
- Nose lights are not available.



SHIPPING WEIGHT	
Case	Weight
O4UM-NRG	---



ALL MEASUREMENTS ARE TAKEN PER ASHRAE-72-2005 SPECIFICATIONS. HILLPHOENIX REFRIGERATED DISPLAY CASES FOR SALE IN THE UNITED STATES MEET OR EXCEED DEPARTMENT OF ENERGY 2017 REQUIREMENTS.

O4UM-NRG

Rev. Date	Rev. #	Rev. Title
2-26-20	5	DATA UPDATE
7-1-19	4	ENDVIEW UPDATE



O4UM-NRG

4', 6', 8', 12' MultiDeck Utility Merchandiser with Synergy™
Dairy/Deli/Meat/Produce

ELECTRICAL DATA			
Case Length	Fans Per Case	High Efficiency Fans	
		120 Volts	
		Amps	Watts
4'	1	0.20	14.0
6'	2	0.40	28.0
8'	2	0.40	28.0
12'	3	0.60	42.0

LIGHTING DATA						
Case Length	Lights per row	Lights Length	Clearvoyant LED Lighting (Per Light Row)			
			Standard Power (Cornice or Shelf)		High Power (Cornice)	
			120 Volts		120 Volts	
			Amps	Watts	Amps	Watts
4'	1	4'	0.05	5.9	0.12	14.9
6'	2	3'	0.08	9.4	0.20	23.8
8'	2	4'	0.10	11.8	0.25	29.9
12'	3	4'	0.15	17.6	0.37	44.8

GUIDELINES AND CONTROL SETTINGS							
Application	Front Sill Height	BTUH/ft		Superheat Set Point @ Bulb (°F)	Evaporator (°F)	Discharge Air (°F)	Discharge Air Velocity (FPM)
		Conventional	Parallel				
Dairy/Deli/Produce	All	1063	930	6 - 8	28	31	180
Meat	Extended	1051	920	6 - 8	26	30	180

DEFROST CONTROLS		
Defrosts Per Day	Timed-Off Defrost	
	Fail-Safe (Min)	Termination Temp (°F)
6	30	47

NOTES:

- "---" indicates that the feature is not an option with this case model and/or the data is not available at this time.
- Listed anti-condensate heater data represent an unlighted rear sill.
- Listed BTUH/ft data represent unlighted shelves. For LED lighting, add 9 BTUH/ft per row of lighted shelving.
- Listed discharge air velocity represents the average velocity immediately after defrost.
- Temperature and defrost settings listed above are recommended start-up settings. Final operational settings may need to be adjusted for the store conditions in which the case operates.
- The recommended evaporator temperatures may need to be adjusted based on system setup, store conditions, etc. The minimum recommended evaporator temperature is 4°F below the listed evaporator temperature.
- Timed off defrost is recommended for medium temperature applications.



ALL MEASUREMENTS ARE TAKEN PER ASHRAE-72-2005 SPECIFICATIONS. HILLPHOENIX REFRIGERATED DISPLAY CASES FOR SALE IN THE UNITED STATES MEET OR EXCEED DEPARTMENT OF ENERGY 2017 REQUIREMENTS.

O4UM-NRG

Rev. Date	Rev. #	Rev. Title
2-26-20	5	DATA UPDATE
7-1-19	4	ENDVIEW UPDATE

Hillphoenix
A DOVER COMPANY

O4UM-NRG

4', 6', 8', 12' MultiDeck Utility Merchandiser with Synergy™
Dairy/Deli/Meat/Produce

SECOND NATURE DATA

Case Model	No. of Coils	Application	Front Sill height	BTUH/FT		GPM/ft (DR)	Supply Fluid Temp (°F)	Discharge Air Temp (°F)
				Conventional	Parallel			
O4UM-NRG	1	Beverage/Bulk Produce	Standard	1063	930	0.12	20	38
O4UM-NRG	1	Deli/Produce	Standard	1063	930	0.27	20	31
O4UM-NRG	1	Meat	2.5" Extended	1051	920	0.32	20	30
O4UM-NRG	1	Beverage/Bulk Produce	Standard	1063	930	0.22	25	38
O4UM-NRG	1	Deli/Produce	Standard	1063	930	0.70	25	31
O4UM-NRG	1	Meat	2.5" Extended	1051	920	0.97	25	30

SECOND NATURE DATA

Case Model	No. of Coils	Application	Front Sill height	Supply Fluid Temp (°F)	No. of Defrost	Timed-Off Defrost		Warm Fluid Defrost	
						Fail-Safe (Min)	Termination Temp (°F)	Fail-Safe (Min)	Termination Temp (°F)
O4UM-NRG	1	Beverage/Bulk Produce	Standard	20	6	60	47	26	49
O4UM-NRG	1	Deli/Produce	Standard	20	6	60	47	26	49
O4UM-NRG	1	Meat	2.5" Extended	20	6	60	47	26	49
O4UM-NRG	1	Beverage/Bulk Produce	Standard	25	6	45	42	26	49
O4UM-NRG	1	Deli/Produce	Standard	25	6	45	42	26	49
O4UM-NRG	1	Meat	2.5" Extended	25	6	45	42	26	49

NOTES:

- All medium temperature data listed is for 35% by wt. PROPYLENE GLYCOL.
- Inhibited Propylene Glycol solution with water, such as Dowfrost or equivalent. (Dowfrost is a trademark of the Dow Chemical Company).
- Flowrates are determined by ASHRAE test conditions and may need to be adjusted based on store conditions.
- ** Flowrates are per case



ALL MEASUREMENTS ARE TAKEN PER ASHRAE-72-2005 SPECIFICATIONS. HILLPHOENIX REFRIGERATED DISPLAY CASES FOR SALE IN THE UNITED STATES MEET OR EXCEED DEPARTMENT OF ENERGY 2017 REQUIREMENTS.

O4UM-NRG

Rev. Date	Rev. #	Rev. Title
2-26-20	5	DATA UPDATE
7-1-19	4	ENDVIEW UPDATE

Hillphoenix
A DOVER COMPANY

O4UM-NRG

4', 6', 8', 12' MultiDeck Utility Merchandiser with Synergy™
Dairy/Deli/Meat/Produce

REAR SILL OPTIONS	FRONT OPTIONS											
	ORIGIN 2 FRONT								FLAT FRONT FLAT TOP			
	STANDARD FRONT		STANDARD FRONT		STANDARD FRONT		STANDARD FRONT		STANDARD FRONT		STANDARD FRONT	
16" REAR SILL (FRONT DISCHARGE) 16" [40.7 cm]												
18" REAR SILL (FRONT DISCHARGE) 18" [45.8 cm]												
20" REAR SILL (FRONT DISCHARGE) 20 1/8" [51.0 cm]												
	FLAT FRONT ANGLED TOP											

NOTES:

- Front and rear sill height vary with base frame height.
- Extended front sills are required for meat applications to maintain proper product temperature. An extended front has a minimum height of 24" on a 5" base frame, or 30" on an 11" base frame.



ALL MEASUREMENTS ARE TAKEN PER ASHRAE-72-2005 SPECIFICATIONS. HILLPHOENIX REFRIGERATED DISPLAY CASES FOR SALE IN THE UNITED STATES MEET OR EXCEED DEPARTMENT OF ENERGY 2017 REQUIREMENTS.

O4UM-NRG

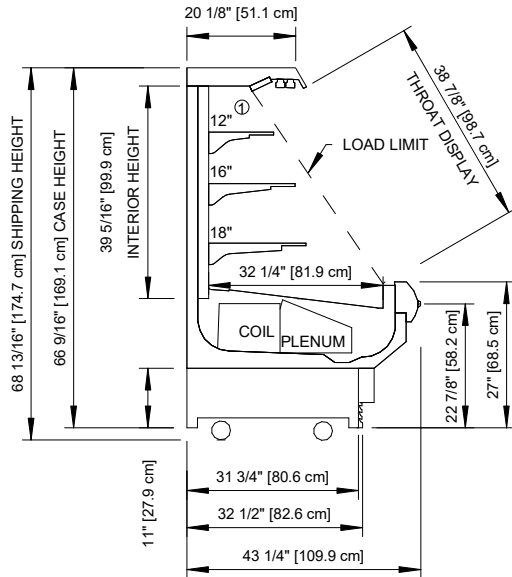
Rev. Date	Rev. #	Rev. Title
2-26-20	5	DATA UPDATE
7-1-19	4	ENDVIEW UPDATE



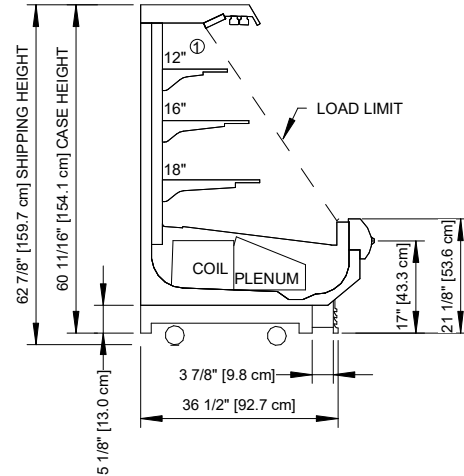
A DOVER COMPANY

O4UM-NRG

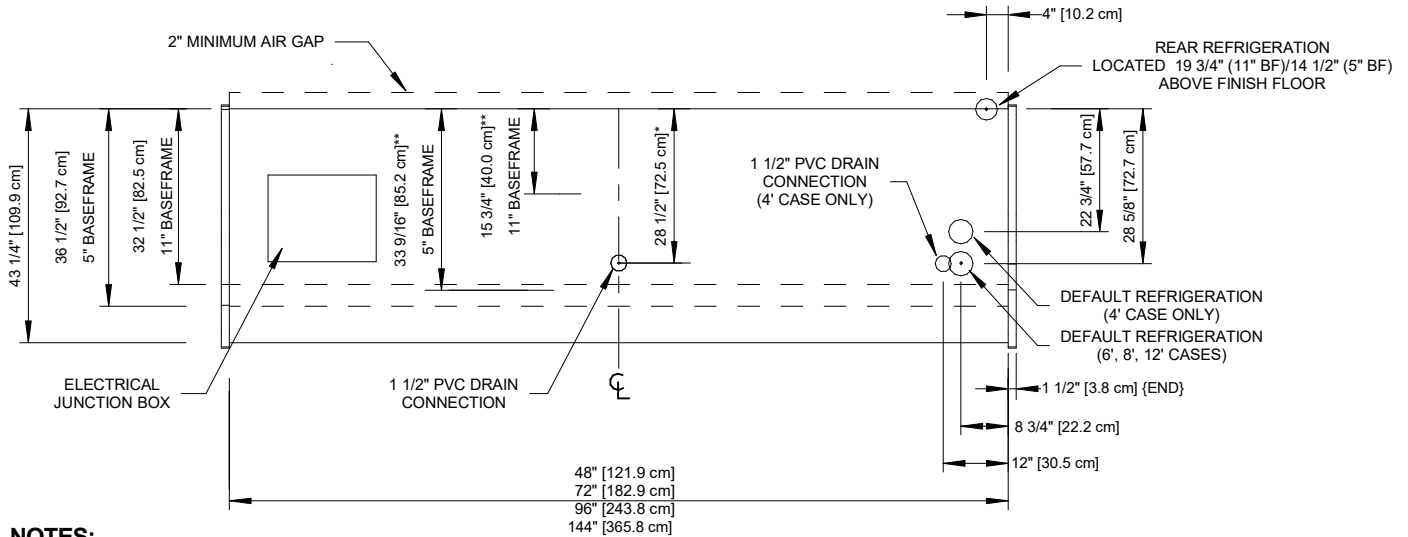
4', 6', 8', 12' MultiDeck Utility Merchandiser with Synergy™
Dairy/Deli/Meat/Produce



11" BASEFRAME



5" BASEFRAME



NOTES:

- * :STUB-UP AREA
- ** :RECOMMENDED STUB-UP CENTERLINE FOR ELECTRICAL AND HUB DRAINS AVAILABLE UPON REQUEST
- Ⓢ :AVAILABLE SHELF SIZES: 10", 12", 14", 16" & 18"

- Ends add approximately 1 inch to case height, 1" to the front and 1/2" to the back.
- Product on top shelf should be 3 inches below discharge.



COMPONENT

ALL MEASUREMENTS ARE TAKEN PER ASHRAE-72-2005 SPECIFICATIONS. HILLPHOENIX REFRIGERATED DISPLAY CASES FOR SALE IN THE UNITED STATES MEET OR EXCEED DEPARTMENT OF ENERGY 2017 REQUIREMENTS.

O4UM-NRG

Rev. Date	Rev. #	Rev. Title
2-26-20	5	DATA UPDATE
7-1-19	4	ENDVIEW UPDATE

