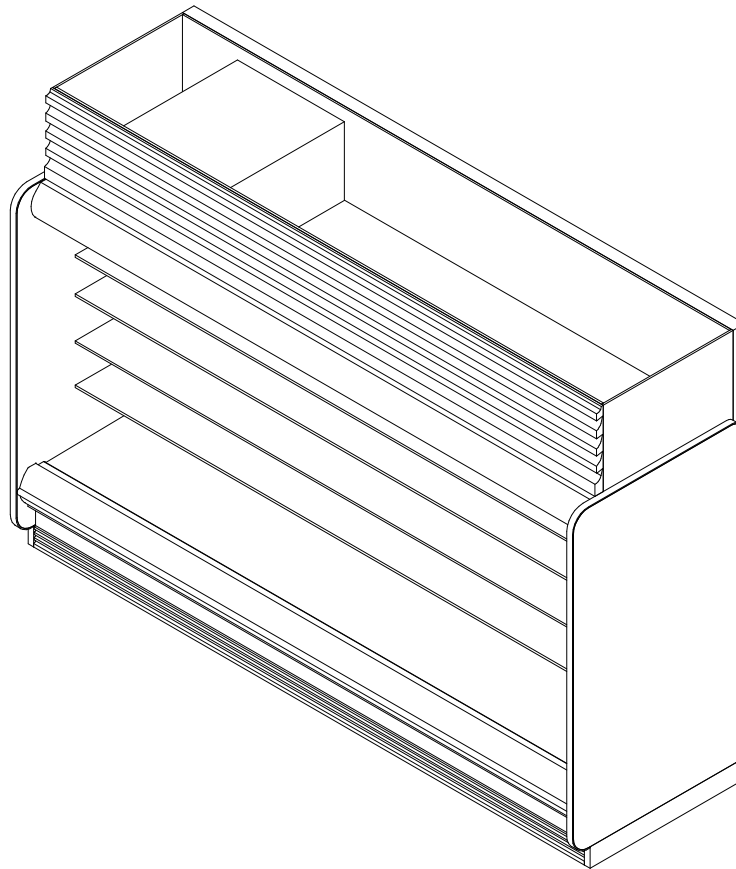


# O5DMA-NRG

4', 6' , 8' & 12' Self-Contained Multi-Deck Merchandiser  
Bakery / Dairy / Deli / Beverage / Produce

## GENERAL NOTES

- " - - " indicates that the feature is not an option for this case model and/or the data is not yet available.
- LED lights only.
- Maximum of 5 rows of Standard Output LED lighted shelves.
- 3rd row or nose lights are not available.
- 2 rows of standard or 1 row of cornice high output LED lights only.



SHIPPING WEIGHT	
Case	Weight
O5DMA-NRG	---



COMPONENT

ALL MEASUREMENTS ARE TAKEN PER ASHRAE-72-2005 SPECIFICATIONS. HILLPHOENIX REFRIGERATED DISPLAY CASES FOR SALE IN THE UNITED STATES MEET OR EXCEED DEPARTMENT OF ENERGY 2017 REQUIREMENTS.

## O5DMA-NRG

Rev. Date	Rev. #	Rev. Title
1-6-21	6	DATA UPDATE
10-27-20	5	OPTIONS UPDATE

**Hillphoenix**  
A DOVER COMPANY

# O5DMA-NRG

4', 6', 8' & 12' Self-Contained Multi-Deck Merchandiser  
Bakery / Dairy / Deli / Beverage / Produce

SYSTEM REQUIREMENTS						
Case Length	Volts	Phase	Frequency (Hz)	Plug	Minimum Circuit Ampacity	Maximum Overcurrent Protection
4'	208	1	60	NEMA L14-30	21.1	25
6'	208	1	60	NEMA L14-30	24.8	35
8'	208	1	60	NEMA L14-30	25	35
12'	208	1	60	NEMA L14-30	23.6	40

ELECTRICAL DATA					
Case Length	Fans Per Case	High Efficiency Fans		Drain Pan	
		120 Volts		120 Volts	
		Amps	Watts	Amps	Watts
4'	2	0.4	25.2	7.2	1500.0
6'	2	0.4	25.2	7.2	1500.0
8'	2	0.4	25.2	7.2	1500.0
12'	4	0.8	58.9	---	---

LIGHTING DATA						
Case Length	Lights Per Row	Light Length	High Power (Cornice Only)		Standard Power (Cornice or Shelf)	
			120 Volts		120 Volts	
			Amps	Watts	Amps	Watts
4'	1	4	0.12	14.90	0.05	5.90
6'	2	3	0.20	23.80	0.08	9.40
8'	2	4	0.24	29.80	0.10	11.80
12'	3	4	0.36	44.70	0.15	17.70

## NOTES:

- " - - " indicates that the feature is not an option for this case model and/or the data is not yet available.
- Listed discharge air velocity represents the average velocity immediately after defrost.
- Temperature and defrost settings listed above are recommended start-up settings. Final operational settings may need to be adjusted for the store conditions in which the case operates.



ALL MEASUREMENTS ARE TAKEN PER ASHRAE-72-2005 SPECIFICATIONS. HILLPHOENIX REFRIGERATED DISPLAY CASES FOR SALE IN THE UNITED STATES MEET OR EXCEED DEPARTMENT OF ENERGY 2017 REQUIREMENTS.

## O5DMA-NRG

Rev. Date	Rev. #	Rev. Title
1-6-21	6	DATA UPDATE
10-27-20	5	OPTIONS UPDATE

**Hillphoenix**  
A DOVER COMPANY

# O5DMA-NRG

4', 6', 8' & 12' Self-Contained Multi-Deck Merchandiser  
Bakery / Dairy / Deli / Beverage / Produce

GUIDELINES AND CONTROL SETTINGS					
Case Length	24hr Energy Usage (kWh)	Suction Pressure @ Case Outlet (psig)	Superheat Set Point @ Bulb (°F)	Discharge Air (°F)	Discharge Air Velocity (FPM)
4'	34.20	47	6 - 8	30	150
6'	48.04	47	6 - 8	30	150
8'	48.04	47	6 - 8	30	150
12'	54.50	47	6 - 8	30	150

CONDENSING UNIT DATA							
Case Length	Volts	Phase	Frequency (Hz)	Running Load Amps (RLA) (Amps)	Locked Rotor Amps (LRA) (Amps)	Refrigerant	Lbs. of Refrigerant (Lbs)
4'	208	1	60	9.3	46.0	R448A	4.40
6'	208	1	60	12.0	55.0	R448A	5.46
8'	208	1	60	12.0	56.0	R448A	5.51
12'	208	1	60	18.0	75.0	R448A	8.51

DEFROST CONTROLS		
Defrosts Per Day	Timed-Off Defrost	
	Fail-Safe (Min)	Termination Temp (F)
6	45	47



ALL MEASUREMENTS ARE TAKEN PER ASHRAE-72-2005 SPECIFICATIONS. HILLPHOENIX REFRIGERATED DISPLAY CASES FOR SALE IN THE UNITED STATES MEET OR EXCEED DEPARTMENT OF ENERGY 2017 REQUIREMENTS.

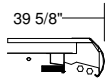
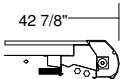
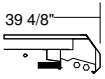
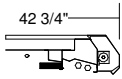
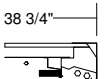
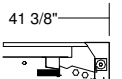
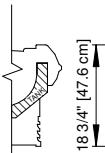
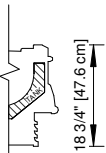
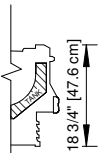
## O5DMA-NRG

Rev. Date	Rev. #	Rev. Title
1-6-21	6	DATA UPDATE
10-27-20	5	OPTIONS UPDATE

**Hillphoenix**  
A DOVER COMPANY

# O5DMA-NRG

4', 6', 8' & 12' Self-Contained Multi-Deck Merchandiser  
Bakery / Dairy / Deli / Beverage / Produce

CORNICE OPTIONS					
<u>CURVED CORNICE</u>  39 5/8"	<u>CURVED CORNICE WITH NIGHT COVER</u>  42 7/8"	<u>FACETED CORNICE</u>  39 4/8"	<u>FACETED CORNICE WITH NIGHT COVER</u>  42 3/4"	<u>FLAT CORNICE</u>  38 3/4"	<u>FLAT CORNICE WITH NIGHT COVER</u>  41 3/8"
FRONT OPTIONS					
<u>ORIGIN 2</u> <b>18" FRONT</b>  18 3/4" [47.6 cm]	<u>CLASSIC 2 POLYMER</u> <b>18" FRONT</b>  18 3/4" [47.6 cm]	<u>CLASSIC 2 METAL</u> <b>18" FRONT</b>  18 3/4" [47.6 cm]			

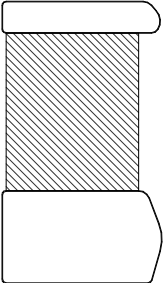
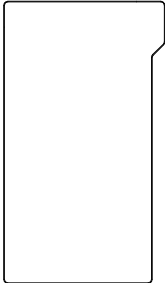
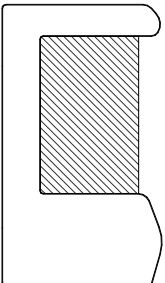
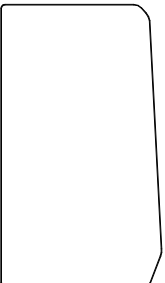
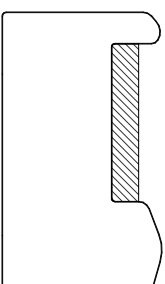
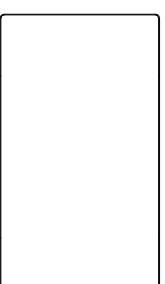


ALL MEASUREMENTS ARE TAKEN PER ASHRAE-72-2005 SPECIFICATIONS. HILLPHOENIX REFRIGERATED DISPLAY CASES FOR SALE IN THE UNITED STATES MEET OR EXCEED DEPARTMENT OF ENERGY 2017 REQUIREMENTS.

## O5DMA-NRG

Rev. Date	Rev. #	Rev. Title
1-6-21	6	DATA UPDATE
10-27-20	5	OPTIONS UPDATE

**Hillphoenix**  
A DOVER COMPANY

END STYLE OFFERINGS	
<p><u>SUPER VIEW</u></p> 	<p><u>SOLID (EXTENDED CANOPY)</u></p> 
<p><u>FULL VIEW</u></p> 	<p><u>SOLID (STANDARD CANOPY)</u></p> 
<p><u>REDUCED VIEW</u></p> 	<p><u>SQUARE</u></p> 

**NOTES:**

- Ends shown are for general use only. Shape, size, and appearance are subject to change based on engineering configuration.
- Hatched regions represent glass inserts.
- Ends add approximately 1" to case height, 1/2" to the back & 1" to the front.
- Ends are available with either polymer end trim or metal end trim.



ALL MEASUREMENTS ARE TAKEN PER ASHRAE-72-2005 SPECIFICATIONS. HILLPHOENIX REFRIGERATED DISPLAY CASES FOR SALE IN THE UNITED STATES MEET OR EXCEED DEPARTMENT OF ENERGY 2017 REQUIREMENTS.

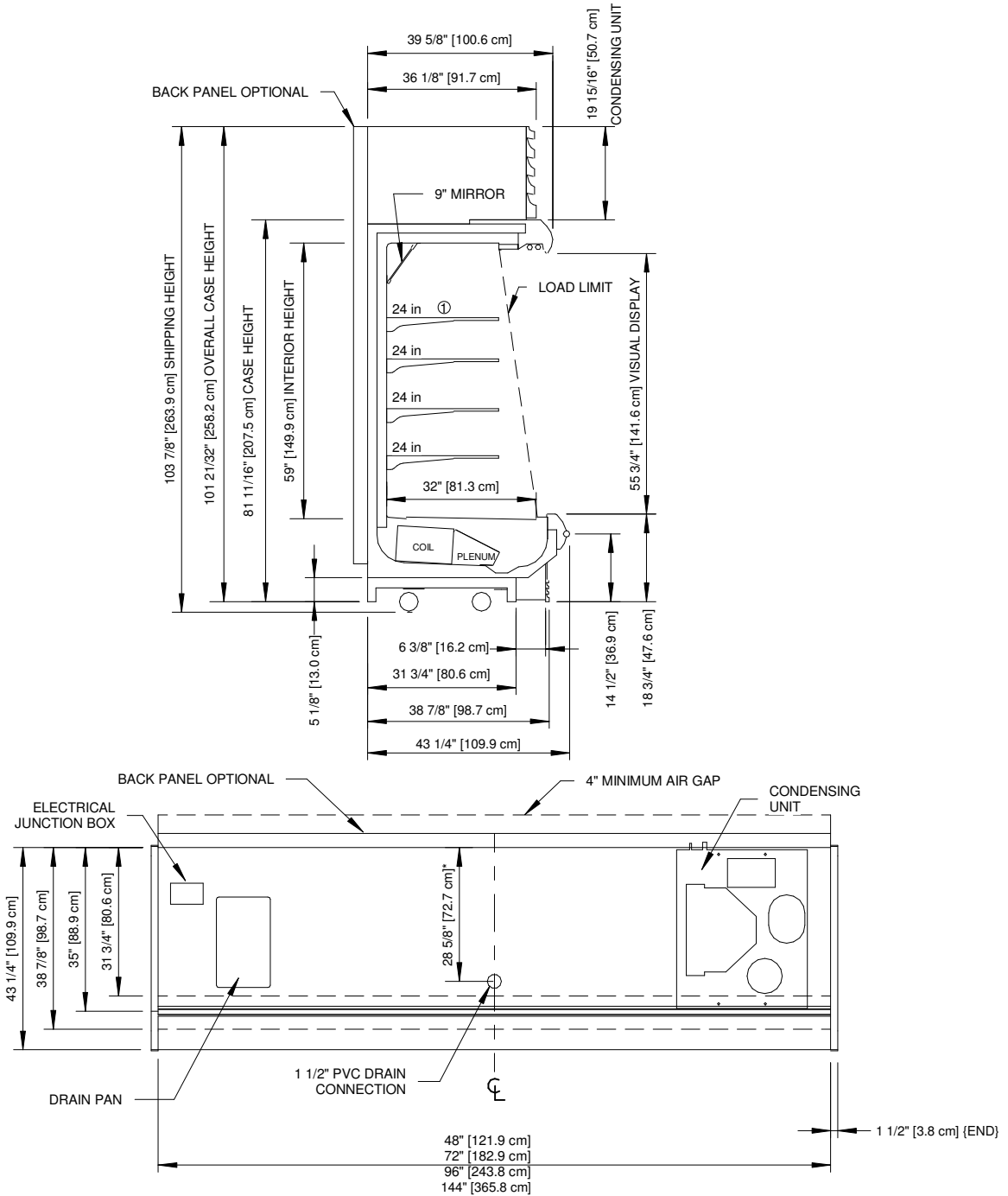
**O5DMA-NRG**

Rev. Date	Rev. #	Rev. Title
1-6-21	6	DATA UPDATE
10-27-20	5	OPTIONS UPDATE



# O5DMA-NRG

4', 6', 8' & 12' Self-Contained Multi-Deck Merchandiser  
Bakery / Dairy / Deli / Beverage / Produce



## NOTES:

- \* : STUB-UP AREA
- \*\* : RECOMMENDED STUP-UP CENTERLINE FOR ELECTRICAL AND DRAINS
- ① : AVAILABLE SHELF SIZES: 10", 12", 14", 16", 18", 20", 22" & 24"

- Ends add approximately 1" to case height, 1/2" to the back of the case and 1" to the front of the case.
- Back panels add approximately 1" to the rear of the case.
- 12' requires floor drain; 8' has optional floor drain feature.



## O5DMA-NRG

ALL MEASUREMENTS ARE TAKEN PER ASHRAE-72-2005 SPECIFICATIONS. HILLPHOENIX REFRIGERATED DISPLAY CASES FOR SALE IN THE UNITED STATES MEET OR EXCEED DEPARTMENT OF ENERGY 2017 REQUIREMENTS.

Rev. Date	Rev. #	Rev. Title
1-6-21	6	DATA UPDATE
10-27-20	5	OPTIONS UPDATE

**Hillphoenix**  
A DOVER COMPANY