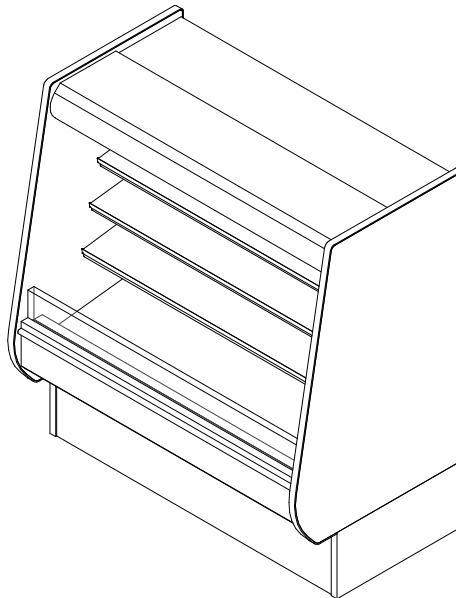


OHMA-NRG

6' High Multi-Deck Self-Contained Merchandiser
Meat/Seafood

GENERAL NOTES

- " - - -" indicates that the feature is not an option for this case model and/or the data is not yet available.
- LED lights only.
- Maximum of 3 rows of standard output LED lighted shelves.
- Nose lights are not available.



SHIPPING WEIGHT	
Case	Weight
OHMA-NRG	---



ALL MEASUREMENTS ARE TAKEN PER ASHRAE-72-2005 SPECIFICATIONS. HILLPHOENIX REFRIGERATED DISPLAY CASES FOR SALE IN THE UNITED STATES MEET OR EXCEED DEPARTMENT OF ENERGY 2017 REQUIREMENTS.

OHMA-NRG

Rev. Date	Rev. #	Rev. Title
1-7-21	4	DATA UPDATE
9-19-18	3	DATA UPDATE

Hillphoenix
A DOVER COMPANY

SYSTEM REQUIREMENTS					
Volts	Phase	Frequency (Hz)	Plug	Minimum Circuit Ampacity	Maximum Overcurrent Protection
208	1	60	NEMA L14-20P	20.9	25

ELECTRICAL DATA				
Fans Per Case	High Efficiency Fans		Drain Pan	
	120 Volts		120 Volts	
	Amps	Watts	Amps	Watts
2	0.4	25.6	7.2	1500.0

LIGHTING DATA			
Lights Per Row	Light Length	Standard Power (Cornice or Shelf)	
		120 Volts	
		Amps	Watts
2	3	0.08	9.40

GUIDELINES AND CONTROL SETTINGS				
24hr Energy Usage (kWh)	Suction Pressure @ Case Outlet (psig)	Superheat Set Point @ Bulb (°F)	Discharge Air (°F)	Discharge Air Velocity (FPM)
32.5	56	6 - 8	31	210

CONDENSING UNIT DATA						
Volts	Phase	Frequency (Hz)	Running Load Amps (RLA) (Amps)	Locked Rotor Amps (LRA) (Amps)	Refrigerant	Lbs. of Refrigerant (Lbs)
208	1	60	9.2	54.0	R448A	7.35

DEFROST CONTROLS		
Defrosts Per Day	Timed-Off Defrost	
	Fail-Safe (Min)	Termination Temp (F)
6	30	47

NOTES

- "---" indicates that the feature is not an option for this case model and/or the data is not yet available.
- Listed discharge air velocity represents the average velocity immediately after defrost.
- Temperature and defrost settings listed below are recommended start-up settings. Final operational settings may need to be adjusted for the store conditions in which the case operates.



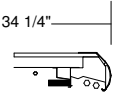
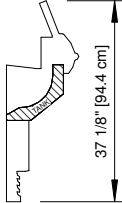
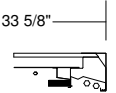
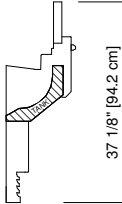
ALL MEASUREMENTS ARE TAKEN PER ASHRAE-72-2005 SPECIFICATIONS. HILLPHOENIX REFRIGERATED DISPLAY CASES FOR SALE IN THE UNITED STATES MEET OR EXCEED DEPARTMENT OF ENERGY 2017 REQUIREMENTS.

OHMA-NRG

Rev. Date	Rev. #	Rev. Title
1-7-21	4	DATA UPDATE
9-19-18	3	DATA UPDATE



A DOVER COMPANY

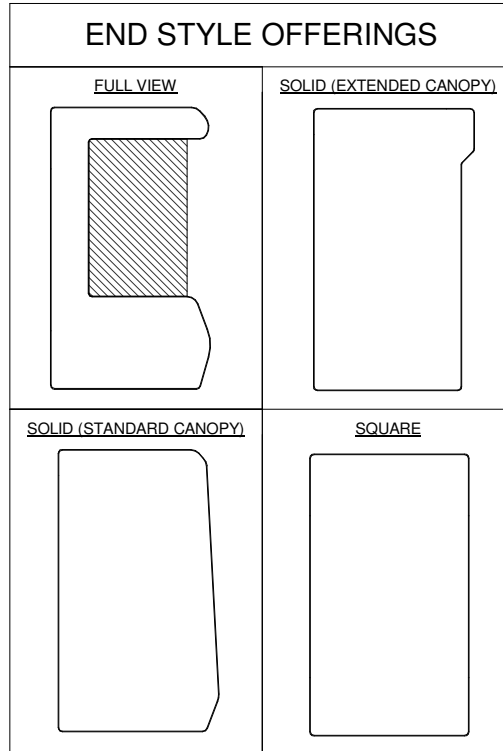
CORNICE OPTIONS	FRONT OPTIONS
<p><u>CURVED CORNICE</u></p>  <p>34 1/4"</p>	<p><u>ORIGIN 2 FRONT WITH 6" THERMOPANE</u></p>  <p>37 1/8" [94.4 cm]</p>
<p><u>FLAT FRONT</u></p>  <p>33 5/8"</p>	<p><u>FLAT FRONT WITH 6" THERMOPANE</u></p>  <p>37 1/8" [94.2 cm]</p>



ALL MEASUREMENTS ARE TAKEN PER ASHRAE-72-2005 SPECIFICATIONS. HILLPHOENIX REFRIGERATED DISPLAY CASES FOR SALE IN THE UNITED STATES MEET OR EXCEED DEPARTMENT OF ENERGY 2017 REQUIREMENTS.

OHMA-NRG

Rev. Date	Rev. #	Rev. Title
1-7-21	4	DATA UPDATE
9-19-18	3	DATA UPDATE



NOTES:

- Hatched regions represent glass inserts.
- Ends add approximately 1" to case height, 1/2" to the back & 1" to the front.
- Ends are available with either polymer end trim or metal end trim.

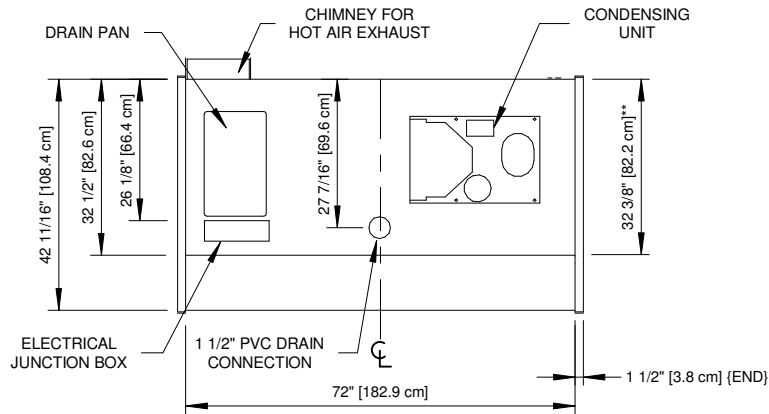
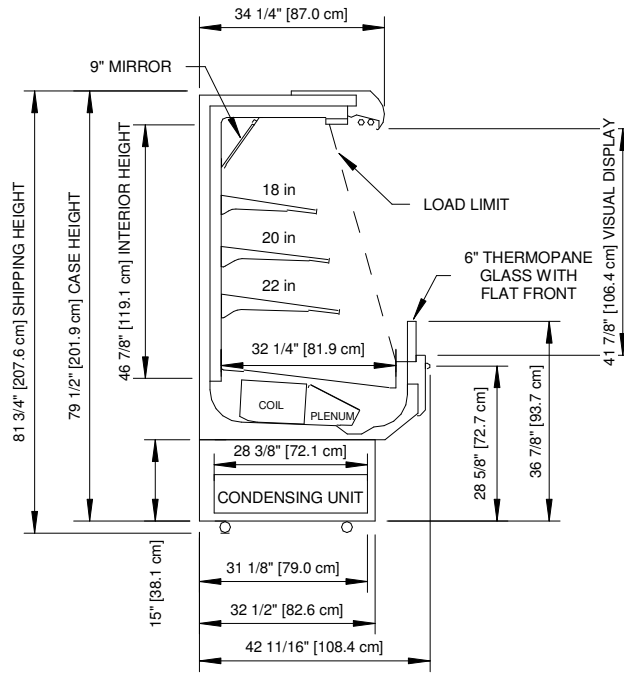


ALL MEASUREMENTS ARE TAKEN PER ASHRAE-72-2005 SPECIFICATIONS. HILLPHOENIX REFRIGERATED DISPLAY CASES FOR SALE IN THE UNITED STATES MEET OR EXCEED DEPARTMENT OF ENERGY 2017 REQUIREMENTS.

OHMA-NRG

Rev. Date	Rev. #	Rev. Title
1-7-21	4	DATA UPDATE
9-19-18	3	DATA UPDATE





COMPONENT

ALL MEASUREMENTS ARE TAKEN PER ASHRAE-72-2005 SPECIFICATIONS. HILLPHOENIX REFRIGERATED DISPLAY CASES FOR SALE IN THE UNITED STATES MEET OR EXCEED DEPARTMENT OF ENERGY 2017 REQUIREMENTS.

OHMA-NRG

Rev. Date	Rev. #	Rev. Title
1-7-21	4	DATA UPDATE
9-19-18	3	DATA UPDATE