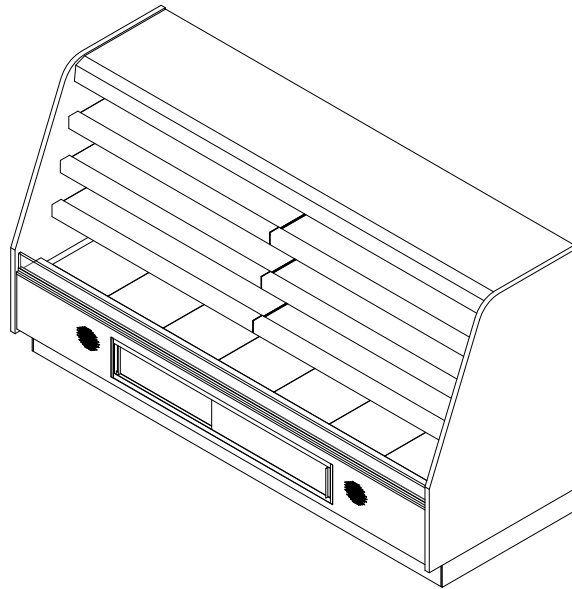


GENERAL NOTES:

- "----" Indicates that the feature is not an option on this case model and/or the data is not yet available at this time.



SHIPPING WEIGHT	
Case	Weight
PF-H	---



ENGINEERED FOR STORES WITH AMBIENT CONDITIONS NOT TO EXCEED 75° AND 55% RELATIVE HUMIDITY. DUE TO ENGINEERING IMPROVEMENTS SPECIFICATIONS MAY CHANGE WITHOUT NOTICE. ALL MEASUREMENTS ARE TAKEN PER ASHRAE-72-2005 SPECIFICATIONS. NUMBERS ARE BASED ON STANDARD CASE SIZES. CONSULT ENGINEERING.

PF-H

Rev. Date	Rev. #	Rev. Title
09-24-21	4	ENDVIEW UPDATE
03-11-21	3	LOGO UPDATE

SELF-SERVICE DATA												
Case Length	Top Heaters		Bottom Heaters		Lights		First Top Shelf		Second Top Shelf		Third Top Shelf	
	Qty	Watts (Each)	Qty	Watts (Each)	Qty	Watts (Each)	Qty	Watts (each)	Qty	Watts (each)	Qty	Watts (each)
4'	2	295.0	3	400.0	---	---	1	590.0	1	816.0	1	816.0
6'	2	515.0	5	400.0	---	---	2	515.0	2	598.0	2	598.0
8'	4	295.0	4	600.0	---	---	2	590.0	2	816.0	2	816.0

ELECTRICAL DATA			
Case Length	Fans Per Case	Control Fans	
		208 Volts	
		Amps	Watts
4'	1	0.06	14.0
6'	1	0.06	14.0
8'	2	0.12	28.0

LIGHTING DATA				
Case Length	Lights Per Row	Light Length	Fluorescent Lighting (Per Light Row)	
			Amps	Watts
4'	1	3'	0.09	18.72
6'	2	2'	0.12	24.99
8'	2	3'	0.18	37.44

NOTES:

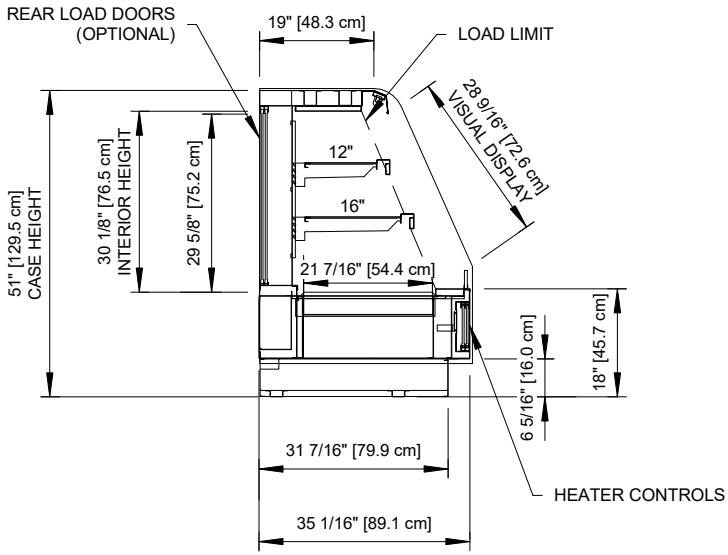
- "----" Indicates that the feature is not an option on this case model and/or the data is not yet available at this time.



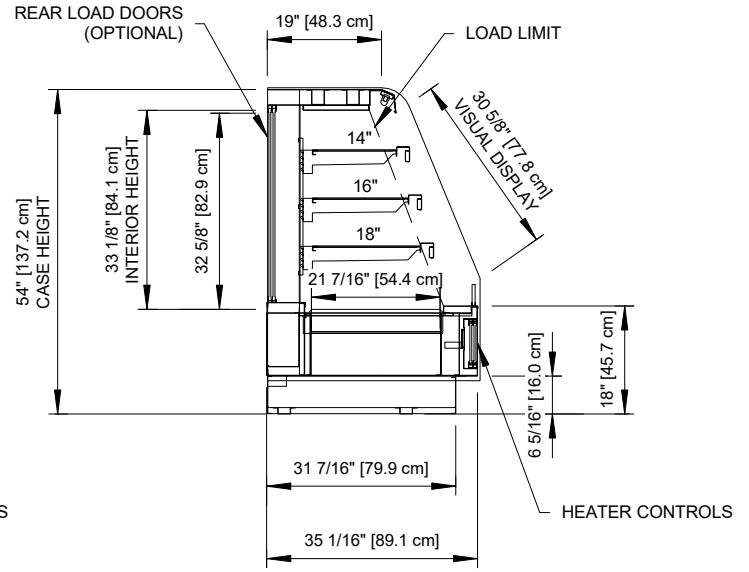
ENGINEERED FOR STORES WITH AMBIENT CONDITIONS NOT TO EXCEED 75° AND 55% RELATIVE HUMIDITY. DUE TO ENGINEERING IMPROVEMENTS SPECIFICATIONS MAY CHANGE WITHOUT NOTICE. ALL MEASUREMENTS ARE TAKEN PER ASHRAE-72-2005 SPECIFICATIONS. NUMBERS ARE BASED ON STANDARD CASE SIZES. CONSULT ENGINEERING.

PF-H

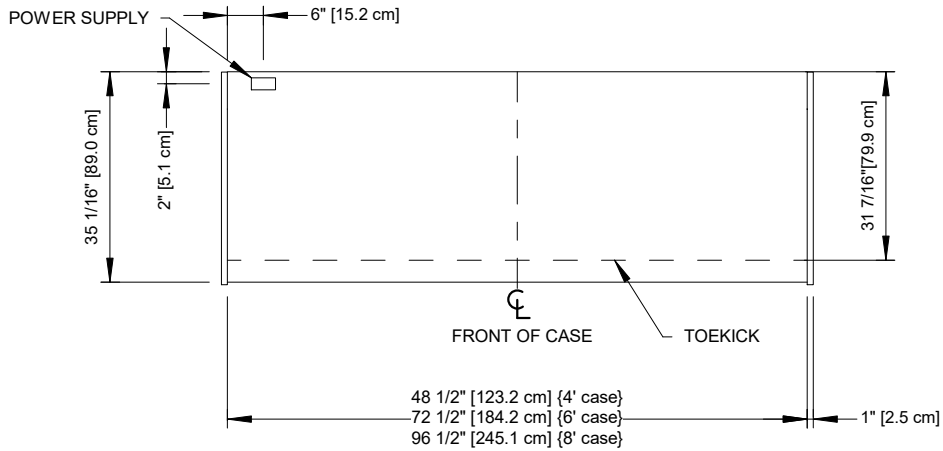
Rev. Date	Rev. #	Rev. Title
09-24-21	4	ENDVIEW UPDATE
03-11-21	3	LOGO UPDATE



51" PROFILE



54" PROFILE (OPTIONAL)



ENGINEERED FOR STORES WITH AMBIENT CONDITIONS NOT TO EXCEED 75° AND 55% RELATIVE HUMIDITY. DUE TO ENGINEERING IMPROVEMENTS SPECIFICATIONS MAY CHANGE WITHOUT NOTICE. ALL MEASUREMENTS ARE TAKEN PER ASHRAE-72-2005 SPECIFICATIONS. NUMBERS ARE BASED ON STANDARD CASE SIZES. CONSULT ENGINEERING.

PF-H

Rev. Date	Rev. #	Rev. Title
09-24-21	4	ENDVIEW UPDATE
03-11-21	3	LOGO UPDATE