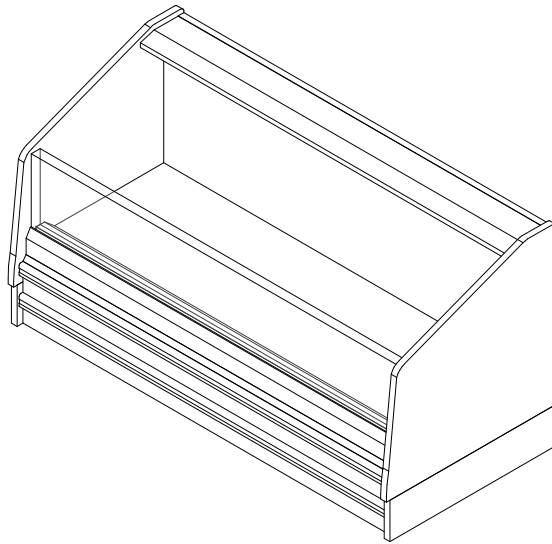


GENERAL NOTES:

- "---" indicates that the feature is not an option with this case model and/or the data is not yet available.



SHIPPING WEIGHT	
Case	Weight
UPA	---



ALL MEASUREMENTS ARE TAKEN PER ASHRAE-72-2005 SPECIFICATIONS. HILLPHOENIX REFRIGERATED DISPLAY CASES FOR SALE IN THE UNITED STATES MEET OR EXCEED DEPARTMENT OF ENERGY 2017 REQUIREMENTS.

UPA

Rev. Date	Rev. #	Rev. Title
1-6-21	3	DATA UPDATE
5-9-18	2	NEW STANDARDS

SYSTEM REQUIREMENTS					
Volts	Phase	Frequency (Hz)	Plug	Minimum Circuit Ampacity	Maximum Overcurrent Protection
120	1	60	NEMA L5-30	24.4	30

ELECTRICAL DATA				
Fans Per Case	High Efficiency Fans		Drain Pan	
	120 Volts		120 Volts	
	Amps	Watts	Amps	Watts
3	0.4	42.3	1.6	164.2

LIGHTING DATA			
Lights Per Row	Light Length	Standard Power (Cornice Only)	
		120 Volts	
		Amps	Watts
2	4'	0.05	5.90

GUIDELINES AND CONTROL SETTINGS				
24hr Energy Usage (kWh)	Suction Pressure @ Case Outlet (psig)	Superheat Set Point @ Bulb (°F)	Discharge Air (°F)	Discharge Air Velocity (FPM)
11.6	49.0	6 - 8	31	100

CONDENSING UNIT DATA						
Volts	Phase	Frequency (Hz)	Running Load Amps (RLA) (Amps)	Locked Rotor Amps (LRA) (Amps)	Refrigerant	Lbs. of Refrigerant (Lbs)
120	1	60	10.5	54.5	R448A	4

DEFROST CONTROLS		
Defrosts Per Day	Timed-Off Defrost	
	Fail-Safe (Min)	Termination Temp (F)
4	45	47

NOTES:

- "---" indicates that the feature is not an option with this case model and/or the data is not yet available.
- Listed discharge air velocity represents the average velocity at the peak of defrost.
- Temperature and defrost settings listed above are recommended start-up settings. Final operational settings may need to be adjusted for the store conditions in which the case operates.
- The recommended evaporator temperatures may need to be adjusted based on system setup, store conditions, etc. The minimum recommended evaporator temperature is 4°F below the listed evaporator temperature.

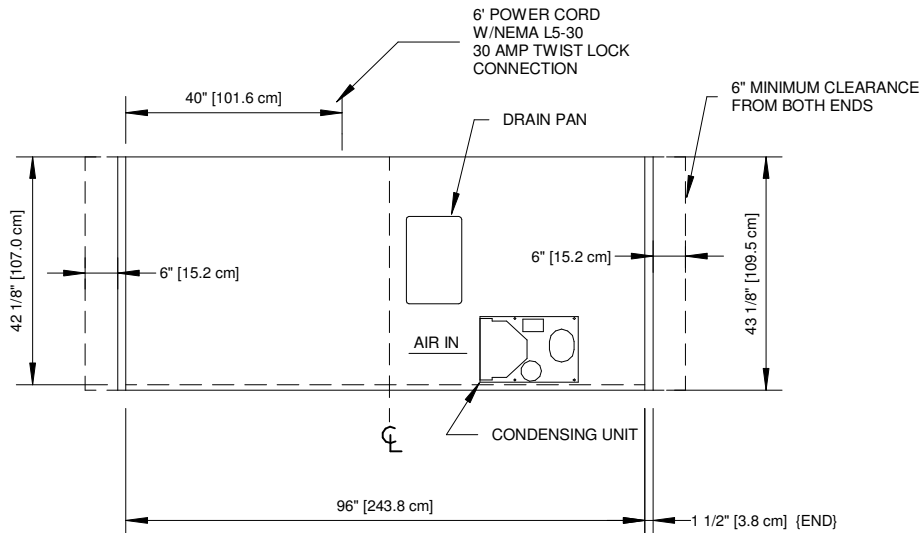
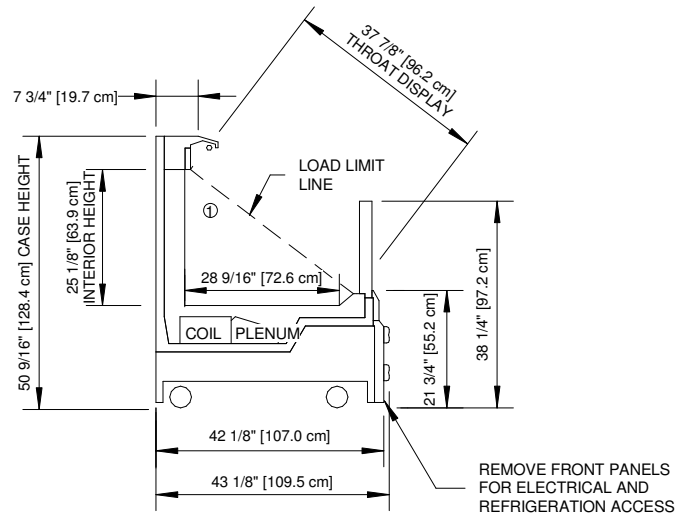


ALL MEASUREMENTS ARE TAKEN PER ASHRAE-72-2005 SPECIFICATIONS. HILLPHOENIX REFRIGERATED DISPLAY CASES FOR SALE IN THE UNITED STATES MEET OR EXCEED DEPARTMENT OF ENERGY 2017 REQUIREMENTS.

UPA

Rev. Date	Rev. #	Rev. Title
1-6-21	3	DATA UPDATE
5-9-18	2	NEW STANDARDS





NOTES:

① :AVAILABLE SHELF SIZES: 10", 12", 14", & 16"

- Ends add approximately 1" to case height, 1" to the front and 1/2" to the back



ALL MEASUREMENTS ARE TAKEN PER ASHRAE-72-2005 SPECIFICATIONS. HILLPHOENIX REFRIGERATED DISPLAY CASES FOR SALE IN THE UNITED STATES MEET OR EXCEED DEPARTMENT OF ENERGY 2017 REQUIREMENTS.

UPA

Rev. Date	Rev. #	Rev. Title
1-6-21	3	DATA UPDATE
5-9-18	2	NEW STANDARDS