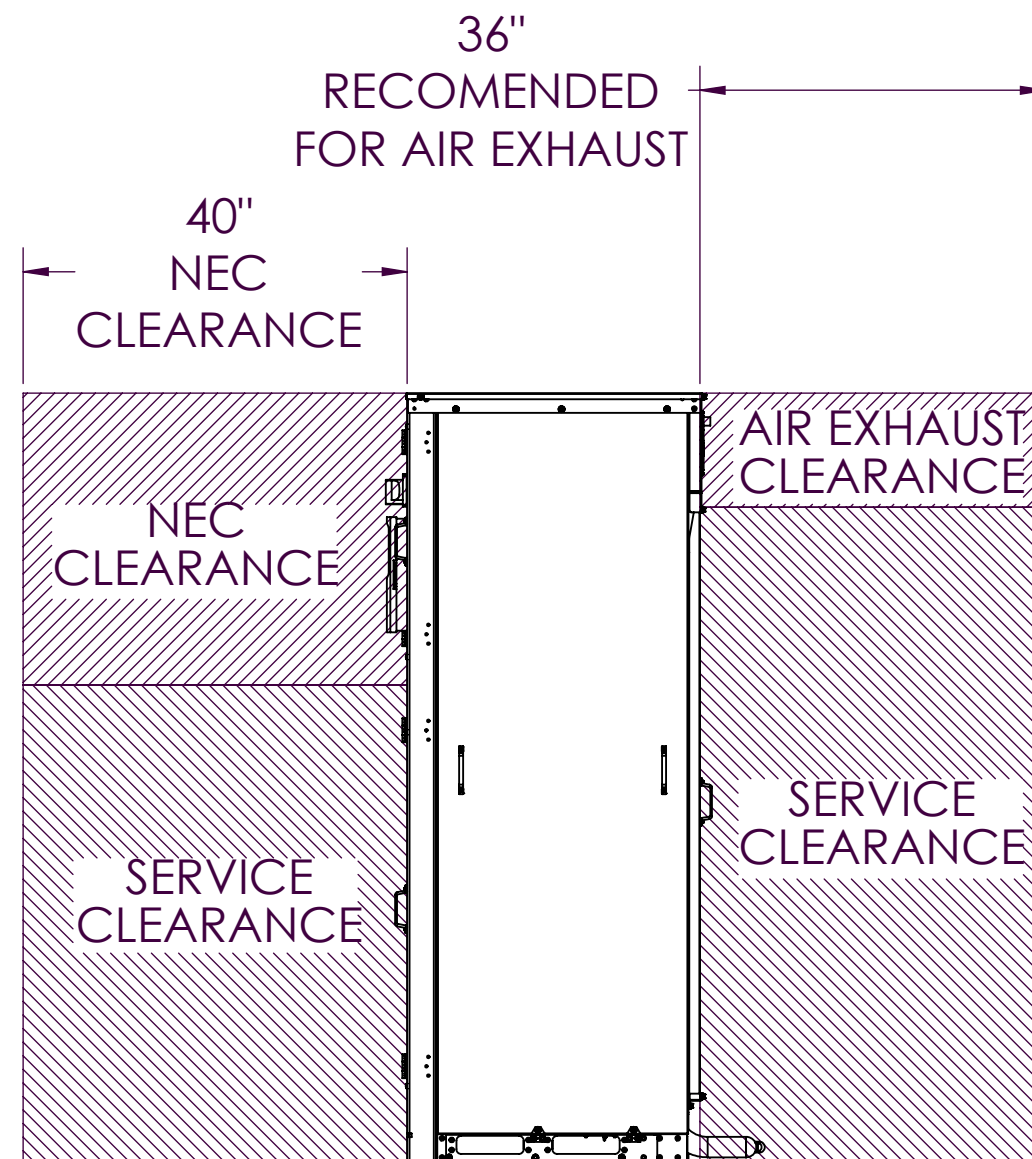


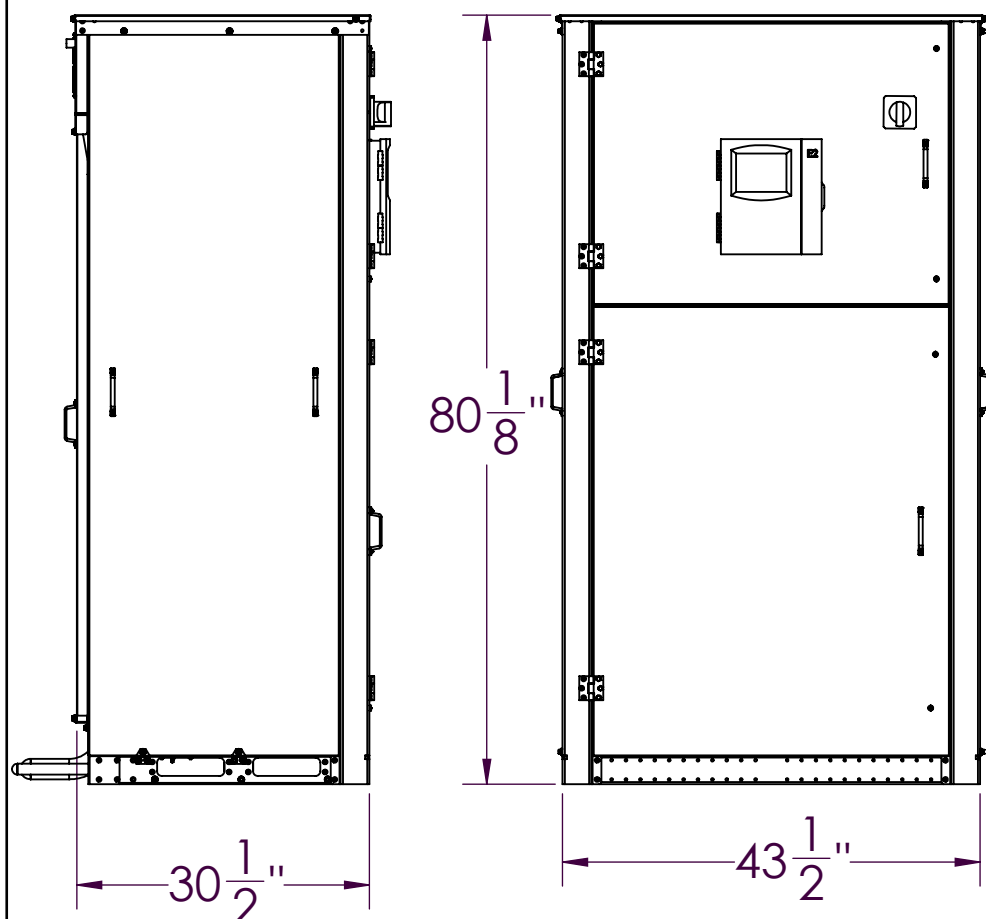
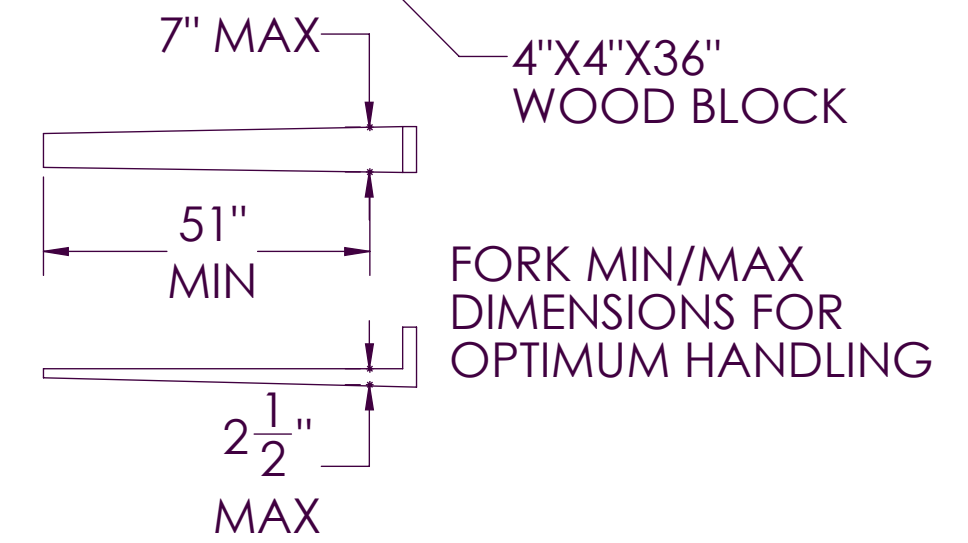
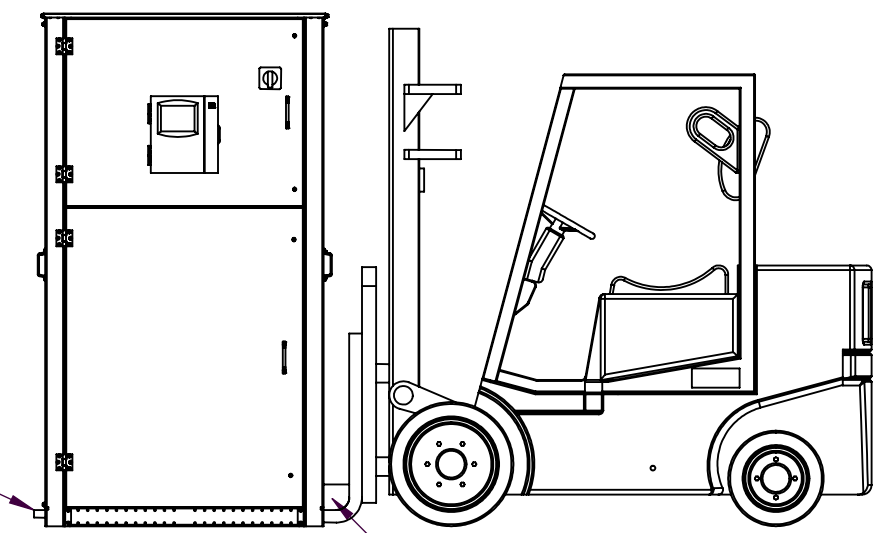
TOP VIEW

DETAIL A  
SCALE 1 : 8



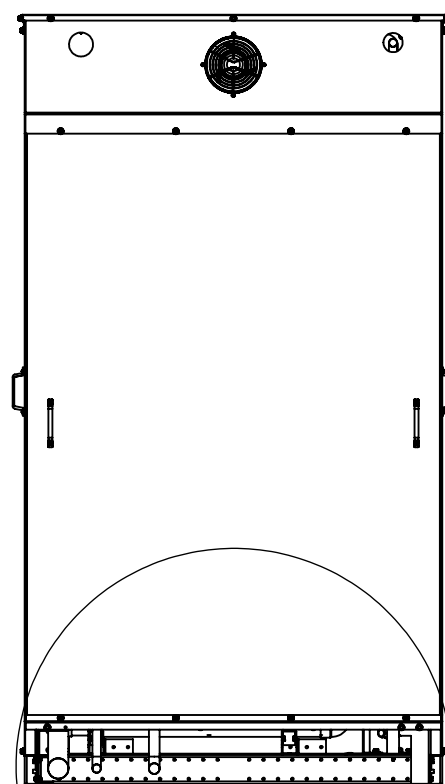
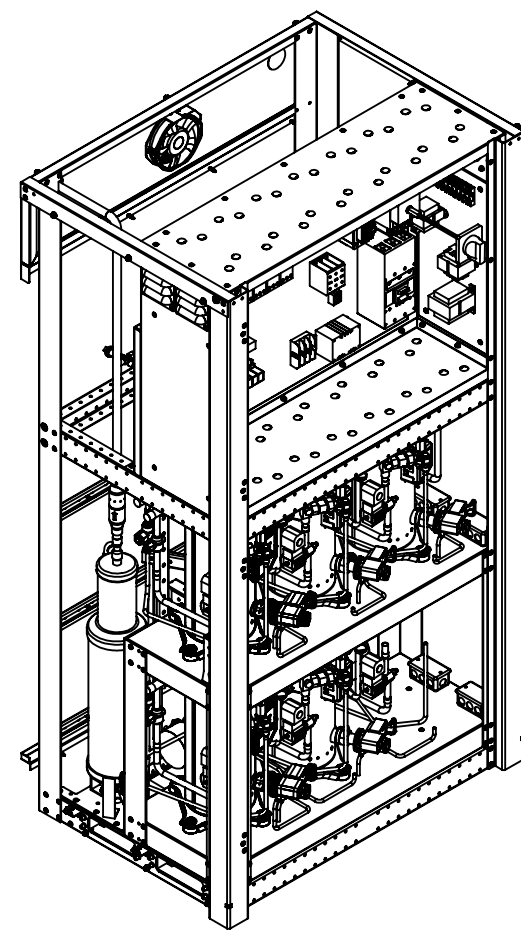
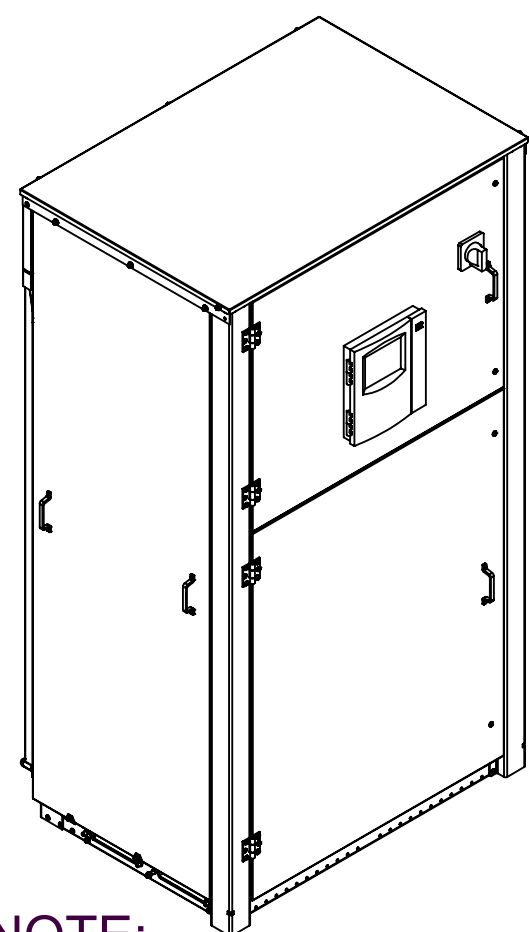
RIGHT VIEW

CONFIRM END OF THE FORKS ARE VISIBLE



LEFT VIEW

FRONT VIEW



REAR VIEW

NOTE:  
1. REFRIGERATION STUBS ARE ONLY AVAILABLE AS REAR ACCESS AS SHOWN

MODEL	WEIGHT (LBS)	LT LIQUID LOOP	LIQUID LINE	LT SUCTION LOOP	MCA @208V	MOPD @208V
VIP-M0000-L0122	1411	7/8	1 1/8	2 1/8	153.5	175.0
VIP-M0000-L0145	1521	7/8	1 1/8	2 1/8	177.4	200.0
VIP-M0000-L0161	1531	7/8	1 1/8	3 1/8	187.0	200.0
VIP-M0000-L0190	1566	7/8	1 1/8	3 1/8	213.0	225.0

REVISION RECORD			ALL TOLERANCES UNLESS OTHERWISE SPECIFIED		P/N: AS00080601_SUBMITTAL	
REV	DATE	BY	DESCRIPTION	DRAWN BY: SMA		ENG. APPROVAL:
△				ALL BENDS 90°		
△				DEGREES ± 1°		
△				ALL FRACTIONAL DIM. ± 1/32		
△				3 PLC DECIMALS ± .010		
△				2 PLC DECIMALS ± .03		
△				THIRD ANGLE PROJECTION		
△				DO NOT SCALE DRAWING		
			CAD FILE NAME: AS00080601.SUBMITTAL	709 SIGMAN ROAD • CONYERS, GA 30013		DATE: 12OCT2018
				PHONE: (770) 285-3100 • FAX: (770) 285-3076		SCALE: (EXCEPT AS NOTED) 1:20
				<b>Hillphoenix</b>		SIZE: C
				SYSTEMS - REFRIGERATION a <b>DOVER</b> COMPANY		SHEET: 1 of 1