

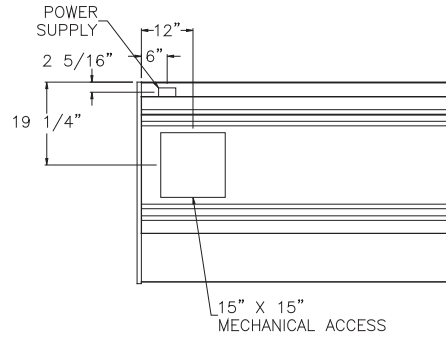
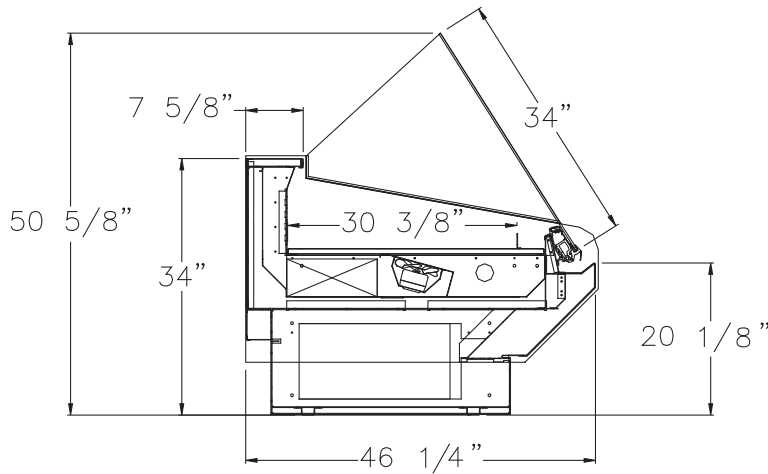
Model Number: BSDT-4, BSDT-6, BSDT-8, BSDT-10, BSDT-12, BSDT-EW, BSDT-IW, BSDT-Miter

Consult factory for CAD Library

SPECIALTY PRODUCTS

SERVICE Deli/Fish

BSDT Standard Case



ENGINEERED FOR STORES WITH AMBIENT CONDITIONS NOT TO EXCEED 75 DEGREES AND 50% RELATIVE HUMIDITY. DUE TO ENGINEERING IMPROVEMENTS SPECIFICATIONS MAY CHANGE WITHOUT NOTICE.

Remote Case Data - Electrical 120 Volt				
Model	BTU Lin/Ft	Evap Temp	Defrost	Evap Fans
BSDt Series				
BSDT-4	450	+20°	45"/3hr.*	0.43
BSDT-6	450	+20°	45"/3hr.*	0.86
BSDT-8	450	+20°	45"/3hr.*	0.86
BSDT-10	450	+20°	45"/3hr.*	0.86
BSDT-12	450	+20°	45"/3hr.*	1.29

* Ice Application Defrost 60"/2hr.

Additional Loads for Self-Contained Units						
HP	Voltage	404A		134A		Air Sweep Fans
		RI A/L RA	RI A/L RA	Cond Fan	Pan Heater	
1/4	120-1-60	5.3/34	NA	0.56	6.6	0.52
1/2	120-1-60	6.7/33	NA	0.72	6.6	0.78
1/2	120-1-60	9/51	9.1/51	1.3	6.6	1.04
3/4	120-1-60	10.3/60	13/66	1.7	8.3	1.36
3/4	120-1-60	10.6/60	13/66	1.7	8.3	1.56

Dimensions Without Ends Add 1" for each end to overall width of case

Model	W x D x H
BSDT-4	48 1/8 X 46 1/4 X 34
BSDT-6	72 1/2 X 46 1/4 X 34
BSDT-8	96 1/4 X 46 1/4 X 34
BSDT-10	120 1/2 X 46 1/4 X 34
BSDT-12	144 1/4 X 46 1/4 X 34
BSDT-EW*	90° Exterior wedge
BSDT-Miter	Specify up to 22 1/2°

Ship Weights (approximate)

BSDT-4 R	825
BSDT-6 R	900
BSDT-8 R	975
BSDT-10 R	1015
BSDT-12 R	1060
BSDT-4 SC	935
BSDT-6 SC	1010
BSDT-8 SC	1085
BSDT-10 SC	1125
BSDT-12 SC	1170

Conforms to UL Standard 471 and, 65 and NSF Standards 2 and 7 and CAN/CSA C22.2