

Service Single-Deck Merchandiser w/ Curved or Flat Lift Glass

BSD DRY - 4', 6', 8', 10', 12', EW-90, & IW-90

Lighting Data

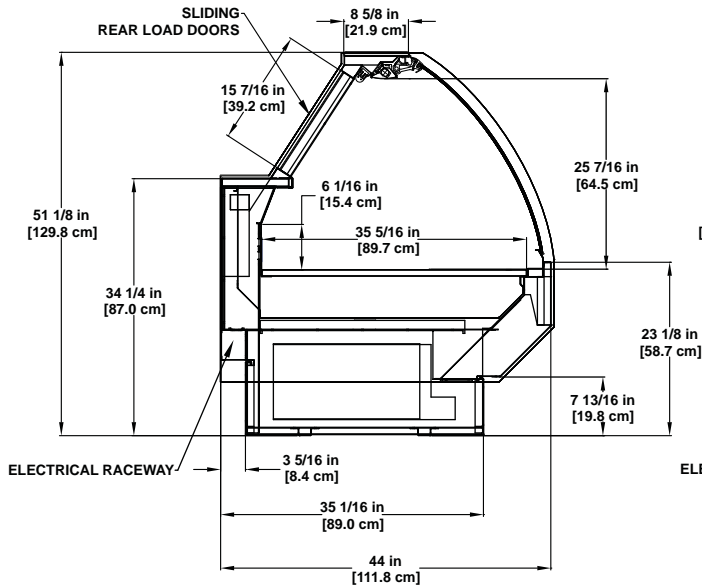
Model		Lights per Row	Light Length (ft)	Fluorescent Lighting (Per Light Row)		Clearvoyant LED Lighting (Per Light Row)			
						Standard Power (Cornice or Shelf)		High Power (Cornice)	
				120 Volts		120 Volts		120 Volts	
				Amps	Watts	Amps	Watts	Amps	Watts
BSD	4'	1	4	0.27	32.4	0.12	14.4	0.2	24
	6'	2	3	0.34	40.8	0.18	21.6	0.3	36
	8'	2	4	0.47	56.4	0.24	28.8	0.4	48
	10'	2	5	0.61	73.2	0.3	36	0.5	60
	12'	3	4	0.69	82.8	0.36	43.2	0.6	72
	EW-90	1	2	0.15	18	0.06	7.2	0.1	12
	IW-90	1	3	0.21	252	0.09	10.8	0.15	18

Engineered for stores with ambient conditions not to exceed 75° and 55% relative humidity.
 Due to engineering improvements specifications may change without notice.
 All measurements are taken per ASHRAE - 72 - 2005 specifications.
 Numbers are based on standard case sizes. Consult engineering.

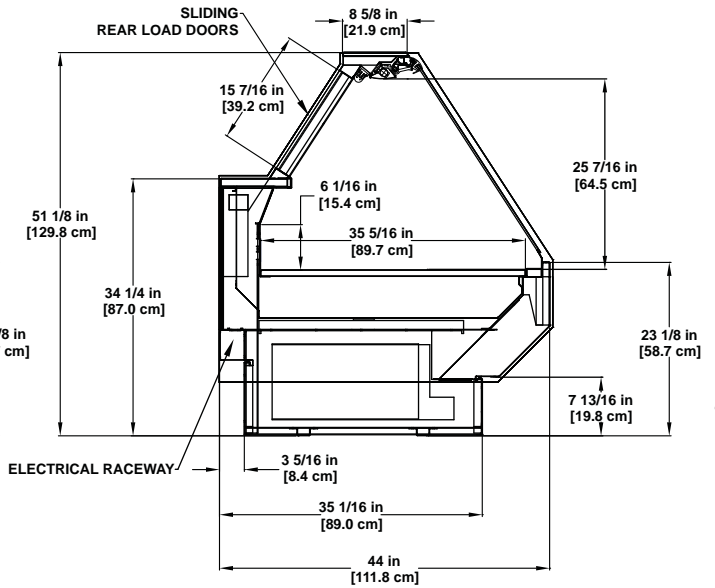


Clearvoyant™
LED SYSTEM

Hillphoenix / Barker
SPECIALTY PRODUCTS



CURVED GLASS



FLAT GLASS

