

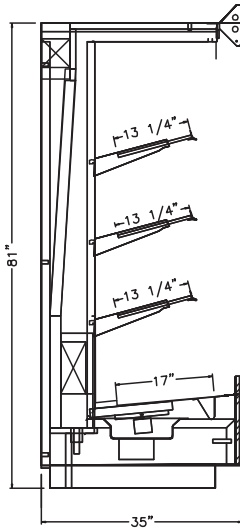
# Model Number: E-43, E-55, E-68, E-84, E-96, E-110

Consult factory for CAD Library

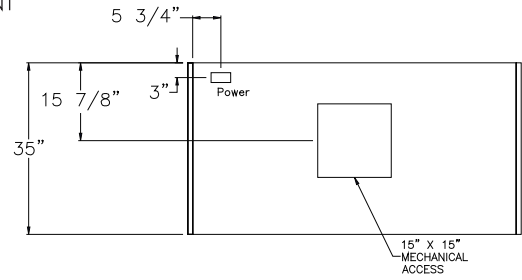
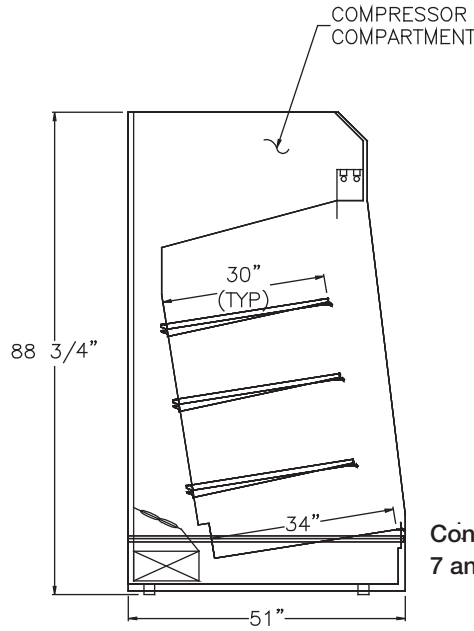
SPECIALTY PRODUCTS

SERVICE  
Produce/Dairy/Deli/Meat

E 35" Deep Standard Case



E 51" Double Deep Standard Case



Conforms to UL Standards 471, NSF Standard 7 and CAN/CSA C22.2

ENGINEERED FOR STORES WITH AMBIENT CONDITIONS NOT TO EXCEED 75 DEGREES AND 50% RELATIVE HUMIDITY. DUE TO ENGINEERING IMPROVEMENTS SPECIFICATIONS MAY CHANGE WITHOUT NOTICE.

Remote Case Data - Electrical 120 Volt						
Model	BTU Lin/Ft	Evap Temp	Defrost	Evap Fans	Cornice Lts	Shelf Lts
<b>E SERIES</b>						
E43-35	1400	+20°	20"/4hr.	0.43	0.49	0.92
E55-35	1400	+20°	20"/4hr.	0.86	0.49	0.92
E68-35	1400	+20°	20"/4hr.	0.86	0.49	0.92
E84-35	1400	+20°	20"/4hr.	1.29	0.49	0.98
E98-35	1500	+20°	20"/4hr.	1.72	0.49	0.98
E110-35	1500	+20°	20"/4hr.	1.72	0.49	1.84

Additional Loads for Self-Contained Units					
HP	Voltage	404A RLA/LRA	134A RLA/LRA	Cond Fan	Heater
3/4	120-208 1-60	NA	5.3/40	0.85	4.8
3/4	120-208 1-60	NA	5.3/40	0.85	4.8
1	120-208 1-60	6.2/40	NA	0.85	4.8
1 1/2	120-208 1-60	6.2/40	NA	0.85	4.8
2	120-208 1-60	9.6/55	NA	1.7	4.8
2	120-208 1-60	9.6/55	NA	1.7	4.8

REMOTE CASES - 20 MINUTES DEFOST EVERY 4 HOURS

**Dimensions Without Ends** Add 1" for each end to overall width of case

Model: One egg crate deep	W x D x H
E43-35	41 X 35 X 81
E55-35	53 1/2 X 35 X 81
E68-35	66 X 35 X 81
E84-35	82 X 35 X 81
E96-35	94 1/2 X 35 X 81
E110-35	107 X 35 X 81
Double Deep Merchandiser: Two egg crates deep	
E43-51	41 X 51 X 88 3/4
E55-51	53 1/2 X 51 X 88 3/4
E68-51	66 X 51 X 88 3/4
E84-51	82 X 51 X 88 3/4
E96-51	94 1/2 X 51 X 88 3/4
E110-51	107 X 51 X 88 3/4

**Ship Weights** (approximate)

E43-35 R	760	E43-35 SC	820
E55-35 R	800	E55-35 SC	900
E68-35 R	975	E68-35 SC	1075
E84-35 R	1100	E84-35 SC	1200
E96-35 R	1300	E96-35 SC	1500
E110-35 R	1650	E110-35 SC	1750
E43-51 R	960	E43-51 SC	1060
E55-51 R	1300	E55-51 SC	1400
E68-51 R	1560	E68-51 SC	1660
E84-51 R	1780	E84-51 SC	1880
E96-51 R	1980	E96-51 SC	2080
E110-51 R	2100	E110-51 SC	2200