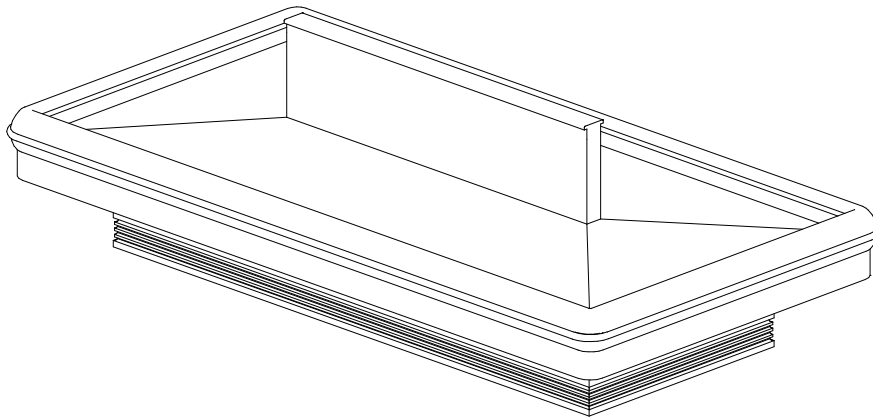


GENERAL NOTES

- "---" indicates that the feature is not an option on this case model and/or the data is not yet available.



SHIPPING WEIGHT	
Case	Weight
OIP	---



ALL MEASUREMENTS ARE TAKEN PER ASHRAE-72-2005 SPECIFICATIONS. HILLPHOENIX REFRIGERATED DISPLAY CASES FOR SALE IN THE UNITED STATES MEET OR EXCEED DEPARTMENT OF ENERGY 2017 REQUIREMENTS.

OIP

Rev. Date	Rev. #	Rev. Title
7-17-18	2	NEW STANDARDS
12-1-17	1	DOE 2017

ELECTRICAL DATA					
Case Length	Fans Per Case	High Efficiency Fans		Anti Condensate Heaters	
		120 Volt		120 Volts	
		Amps	Watts	Amps	Watts
8'	6	0.90	66	0.23	28
12'	8	1.20	88	0.55	66

GUIDELINES AND CONTROL SETTINGS					
BTUH/ft		Superheat Set Point @ Bulb (°F)	Evaporator (°F)	Discharge Air (°F)	Discharge Air Velocity (FPM)
Conventional	Parallel				
631	586	6 - 8	22	34	140

DEFROST CONTROLS			
Defrosts Per Day	Run Off Time (Min)	Timed-Off Defrost	
		Fail-Safe (Min)	Termination Temp (°F)
3	6 - 8	44	38

NOTES

- "-" indicates that the feature is not an option on this case model and/or the data is not yet available.
- Add 600 BTUHs per wrap-around end.
- Load data represents the sum of both coils.
- BTUH load increases by 132 BTUH/ft when aftermarket merchandising accessories are utilized.
- Listed discharge air velocity represents the average velocity at the peak of defrost.
- Temperature and defrost settings listed above are recommended start-up settings. Final operational settings may need to be adjusted for the store conditions in which the case operates.
- The recommended evaporator temperatures may need to be adjusted based on system setup, store conditions, etc. The minimum recommended evaporator temperature is 4°F below the listed evaporator temperature.



ALL MEASUREMENTS ARE TAKEN PER ASHRAE-72-2005 SPECIFICATIONS. HILLPHOENIX REFRIGERATED DISPLAY CASES FOR SALE IN THE UNITED STATES MEET OR EXCEED DEPARTMENT OF ENERGY 2017 REQUIREMENTS.

OIP

Rev. Date	Rev. #	Rev. Title
7-17-18	2	NEW STANDARDS
12-1-17	1	DOE 2017

Hillphoenix
A DOVER COMPANY

SECOND NATURE DATA								
Case Model	No. of Coils	Application	Front Sill Type	BTUH/ft (DR)		GPM/ft (DR)	Supply Fluid Temp (°F)	Discharge Air Temp (°F)
				Conventional	Parallel			
OIP	2	Bulk Produce	Standard	1831	1786	0.50	20	34

SECOND NATURE DATA								
Case Model	No. of Coils	Application	Front Sill Type	No. of Defrost	Timed Off Defrost		Warm Fluid Defrost	
					Fail Safe (Min)	Termination Temp (°F)	Fail Safe (Min)	Termination Temp (°F)
OIP	2	Bulk Produce	Standard	3	60	47	26	49



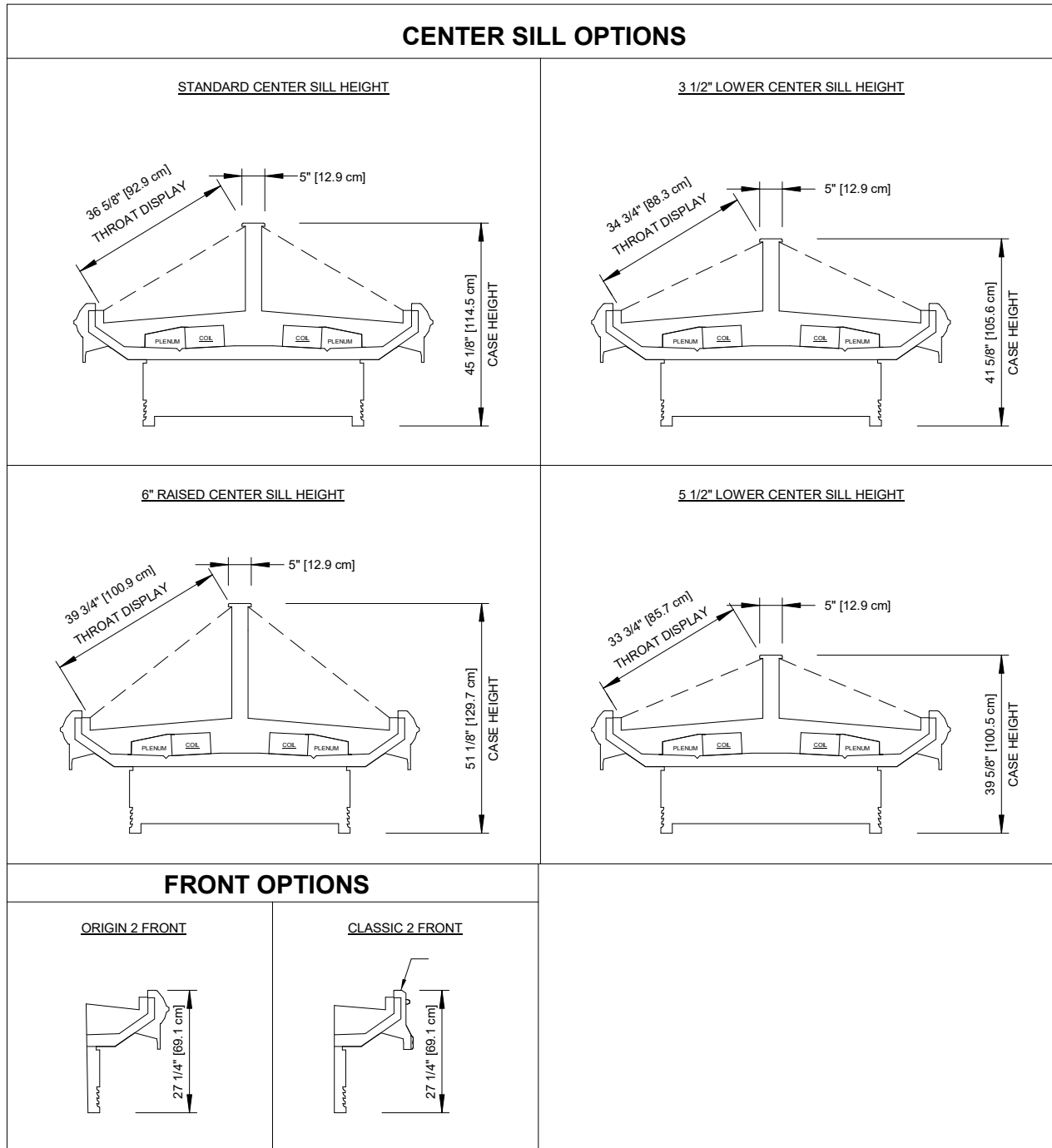
ALL MEASUREMENTS ARE TAKEN PER ASHRAE-72-2005 SPECIFICATIONS. HILLPHOENIX REFRIGERATED DISPLAY CASES FOR SALE IN THE UNITED STATES MEET OR EXCEED DEPARTMENT OF ENERGY 2017 REQUIREMENTS.

OIP

Rev. Date	Rev. #	Rev. Title
7-17-18	2	NEW STANDARDS
12-1-17	1	DOE 2017



A DOVER COMPANY



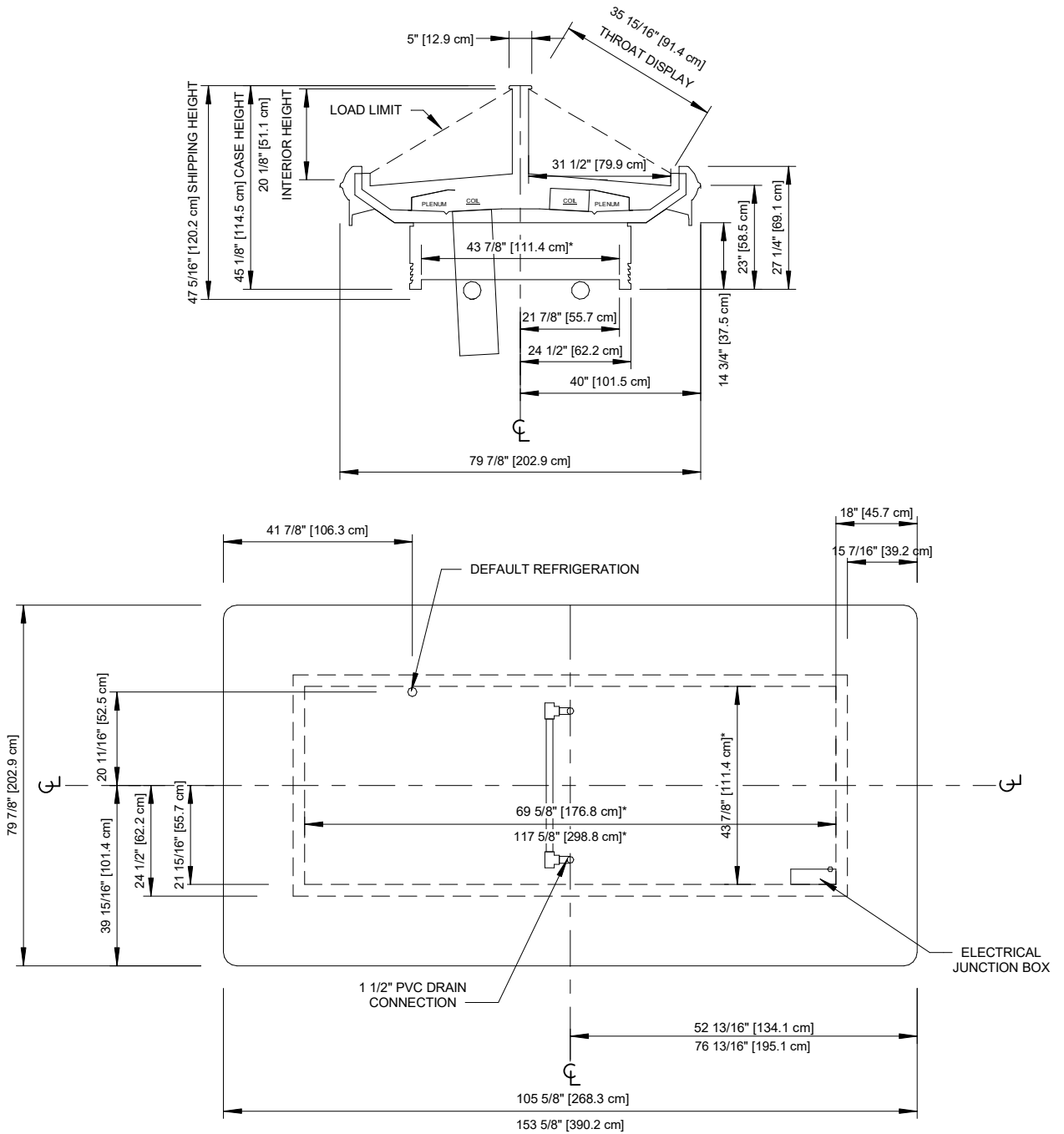
COMPONENT

ALL MEASUREMENTS ARE TAKEN PER ASHRAE-72-2005 SPECIFICATIONS. HILLPHOENIX REFRIGERATED DISPLAY CASES FOR SALE IN THE UNITED STATES MEET OR EXCEED DEPARTMENT OF ENERGY 2017 REQUIREMENTS.

OIP

Rev. Date	Rev. #	Rev. Title
7-17-18	2	NEW STANDARDS
12-1-17	1	DOE 2017





NOTES

* : STUB-UP AREA

- Front and center sill heights vary with base frame height.



ALL MEASUREMENTS ARE TAKEN PER ASHRAE-72-2005 SPECIFICATIONS. HILLPHOENIX REFRIGERATED DISPLAY CASES FOR SALE IN THE UNITED STATES MEET OR EXCEED DEPARTMENT OF ENERGY 2017 REQUIREMENTS.

OIP

Rev. Date	Rev. #	Rev. Title
7-17-18	2	NEW STANDARDS
12-1-17	1	DOE 2017

Hillphoenix
A DOVER COMPANY