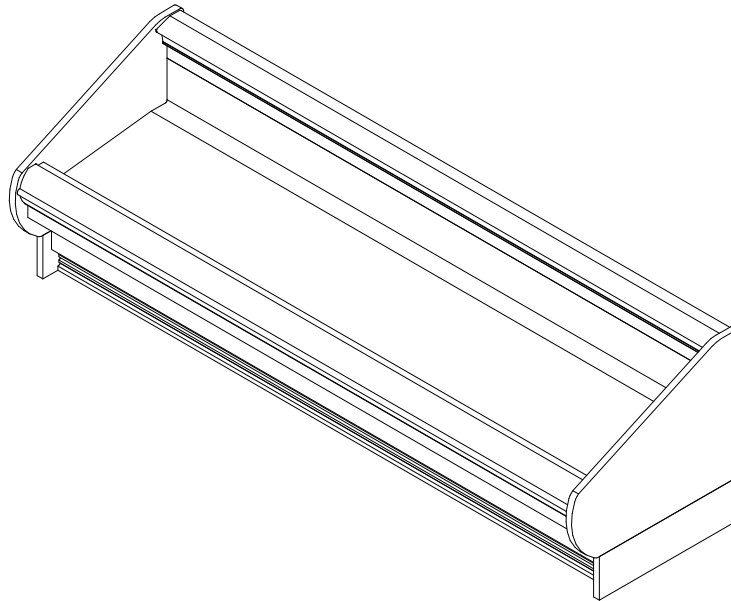


**GENERAL NOTES**

- " - - - " indicates that the feature is not an option with this case model and/or that the data is not available at this time.



SHIPPING WEIGHT	
Case	Weight
OP-NRG	---



ALL MEASUREMENTS ARE TAKEN PER ASHRAE-72-2005 SPECIFICATIONS. HILLPHOENIX REFRIGERATED DISPLAY CASES FOR SALE IN THE UNITED STATES MEET OR EXCEED DEPARTMENT OF ENERGY 2017 REQUIREMENTS.

**OP-NRG**

Rev. Date	Rev. #	Rev. Title
2-5-19	4	ENDVIEW UPDATE
10-16-18	3	DATA UPDATE



ELECTRICAL DATA					
Case Length	Fans Per Case	High Efficiency Fans		Anti Condensate Heaters	
		120 Volt		120 Volts	
		Amps	Watts	Amps	Watts
4'	2	0.15	9.2	0.14	17
6'	2	0.15	9.2	0.20	24
8'	2	0.15	9.2	0.25	30
12'	3	0.23	13.8	0.38	46

LIGHTING DATA							
Case Length	Lights Per Row	Lights Length	Clearvoyant v4 LED Lighting (Per Light Row)				
			Standard Power (Cornice or Shelf)		High Power (Cornice Only)		
			120 Volts		120 Volts		
			Amps	Watts	Amps	Watts	
4'	1	4'	0.05	5.9	0.12	14.9	
6'	2	3'	0.08	9.4	0.20	23.8	
8'	2	4'	0.10	11.8	0.25	29.8	
12'	3	4'	0.15	17.7	0.37	44.7	

GUIDELINES AND CONTROL SETTINGS							
Application	Rear Sill height	BTUH/ft		Superheat Set Point @ Bulb (°F)	Evaporator (°F)	Discharge Air (°F)	Discharge Air Velocity (FPM)
		Conventional	Parallel				
Cut Produce	39"	284	264	6 - 8	26	31	180
Cut Produce	43"	405	377	6 - 8	26	30	210
Bulk Produce	39"	221	206	6 - 8	29	36	180
Bulk Produce	43"	376	350	6 - 8	29	35	210

DEFROST CONTROLS			
Defrosts Per Day	Run Off Time (Min)	Timed-Off Defrost	
		Fail-Safe (Min)	Termination Temp (°F)
2	6 - 8	60	47

**NOTES:**

- "-" indicates that the feature is not an option with this case model and/or the data is not yet available.
- Listed discharge air velocity represents the average velocity immediately after defrost.
- Temperature and defrost settings listed above are recommended start-up settings. Final operational settings may need to be adjusted for the store conditions in which the case operates.
- The recommended evaporator temperatures may need to be adjusted based on system setup, store conditions, etc. The minimum recommended evaporator temperature is 4°F below the listed evaporator temperature.
- Timed off defrost is recommended for medium temperature applications.



ALL MEASUREMENTS ARE TAKEN PER ASHRAE-72-2005 SPECIFICATIONS. HILLPHOENIX REFRIGERATED DISPLAY CASES FOR SALE IN THE UNITED STATES MEET OR EXCEED DEPARTMENT OF ENERGY 2017 REQUIREMENTS.

**OP-NRG**

Rev. Date	Rev. #	Rev. Title
2-5-19	4	ENDVIEW UPDATE
10-16-18	3	DATA UPDATE



A DOVER COMPANY

**SECOND NATURE DATA**

Case Model	No. of Coils	Application	Rear Sill Type	BTUH/ft (DR)		GPM/ft (DR)	Supply Fluid Temp (F)	Discharge Air Temp (F)
				Conventional	Parallel			
OP-NRG	1	Bulk Produce	39"	221	206	0.06	20	36
OP-NRG	1	Cut Produce	39"	284	264	0.08	20	31
OP-NRG	1	Bulk Produce	43"	376	350	0.11	20	35
OP-NRG	1	Cut Produce	43"	405	377	0.12	20	30
OP-NRG	1	Bulk Produce	39"	221	206	0.19	25	36
OP-NRG	1	Cut Produce	39"	284	264	0.25	25	31

**SECOND NATURE DATA**

Case Model	No. of Coils	Application	Front Sill Type	No. of Defrost	Timed Off Defrost		Warm Fluid Defrost	
					Fail Safe (Min)	Termination Temp (F)	Fail Safe (Min)	Termination Temp (F)
OP-NRG	1	Cut Produce	39"	4	60	47	26	49
OP-NRG	1	Cut Produce	43"	4	60	47	26	49
OP-NRG	1	Bulk Produce	39"	4	60	47	26	49
OP-NRG	1	Bulk Produce	43"	4	60	47	26	49
OP-NRG	1	Cut Produce	39"	4	45	42	26	49
OP-NRG	1	Bulk Produce	39"	4	45	42	26	49

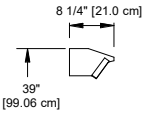
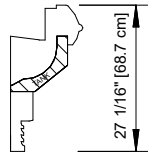
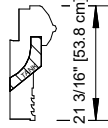
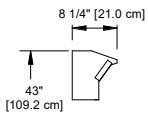
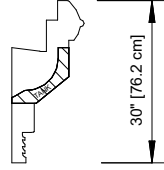
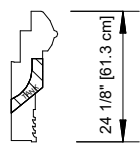


ALL MEASUREMENTS ARE TAKEN PER ASHRAE-72-2005 SPECIFICATIONS. HILLPHOENIX REFRIGERATED DISPLAY CASES FOR SALE IN THE UNITED STATES MEET OR EXCEED DEPARTMENT OF ENERGY 2017 REQUIREMENTS.

**OP-NRG**

Rev. Date	Rev. #	Rev. Title
2-5-19	4	ENDVIEW UPDATE
10-16-18	3	DATA UPDATE



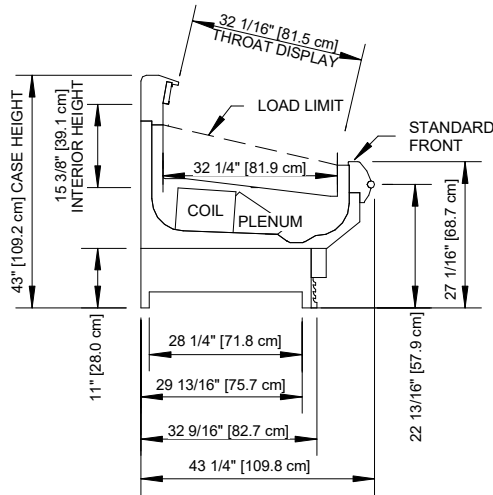
REAR SILL OPTIONS	FRONT OPTIONS	
	<u>11" BASEFRAME</u>	<u>5" BASEFRAME</u>
<p><u>STANDARD</u></p> 	<p><u>STANDARD FRONT</u></p> 	<p><u>STANDARD FRONT</u></p> 
<p><u>EXTENDED</u></p> 	<p><u>EXTENDED STANDARD FRONT</u></p> 	<p><u>EXTENDED STANDARD FRONT</u></p> 



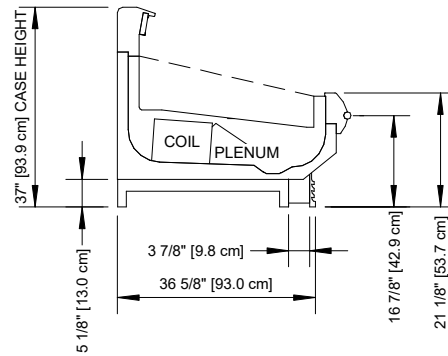
ALL MEASUREMENTS ARE TAKEN PER ASHRAE-72-2005 SPECIFICATIONS. HILLPHOENIX REFRIGERATED DISPLAY CASES FOR SALE IN THE UNITED STATES MEET OR EXCEED DEPARTMENT OF ENERGY 2017 REQUIREMENTS.

## OP-NRG

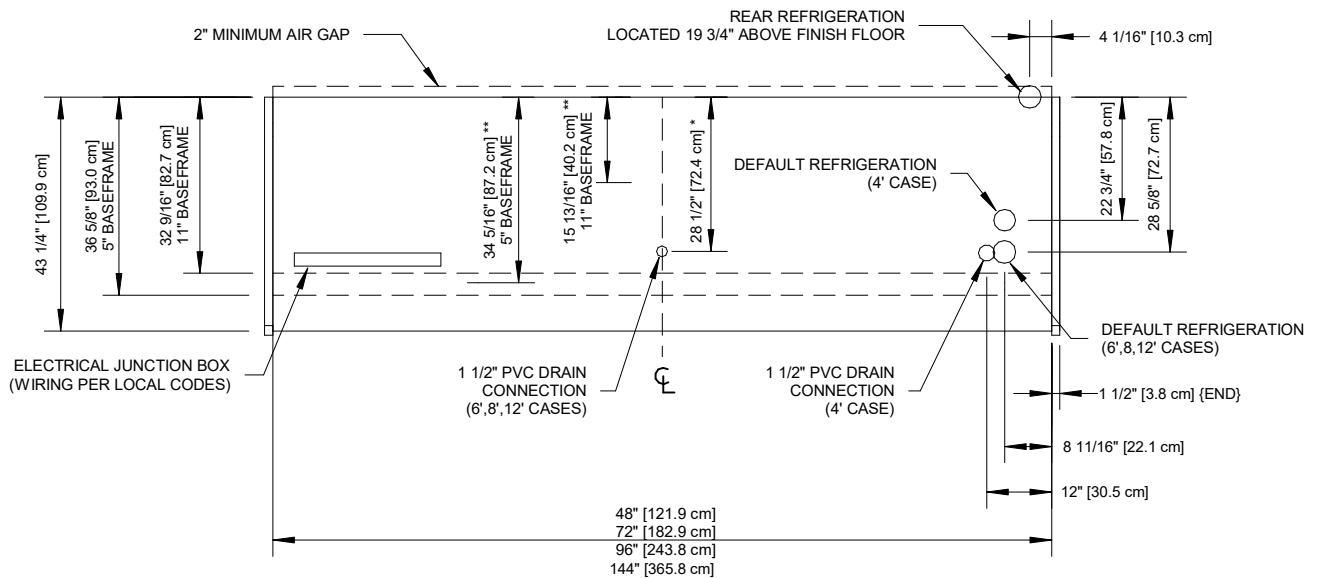
Rev. Date	Rev. #	Rev. Title
2-5-19	4	ENDVIEW UPDATE
10-16-18	3	DATA UPDATE



**11" BASEFRAME**



**5" BASEFRAME**



**NOTES:**

- \* : STUB-UP AREA
- \*\* : RECOMMENDED STUB-UP CENTERLINE FOR ELECTRICAL AND HUB DRAINS

• Ends add approximately 1" to case height



**OP-NRG**

ALL MEASUREMENTS ARE TAKEN PER ASHRAE-72-2005 SPECIFICATIONS. HILLPHOENIX REFRIGERATED DISPLAY CASES FOR SALE IN THE UNITED STATES MEET OR EXCEED DEPARTMENT OF ENERGY 2017 REQUIREMENTS.

Rev. Date	Rev. #	Rev. Title
2-5-19	4	ENDVIEW UPDATE
10-16-18	3	DATA UPDATE

