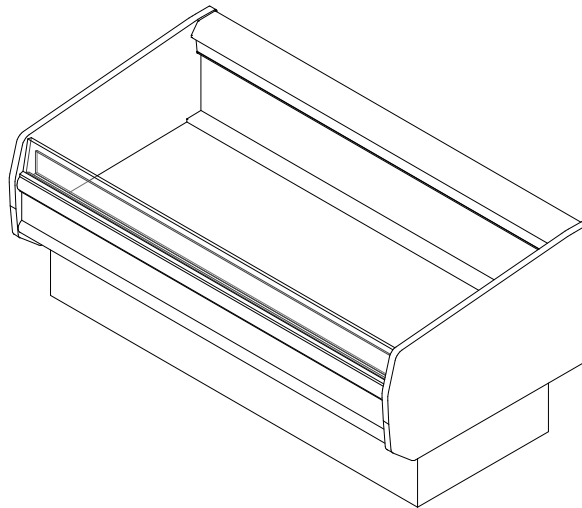


GENERAL NOTES:

- For export cases, a NEMA L6-30 electrical plug is used.



SHIPPING WEIGHT	
Case	Weight
OWMA	---



ALL MEASUREMENTS ARE TAKEN PER ASHRAE-72-2005 SPECIFICATIONS. HILLPHOENIX REFRIGERATED DISPLAY CASES FOR SALE IN THE UNITED STATES MEET OR EXCEED DEPARTMENT OF ENERGY 2017 REQUIREMENTS.

OWMA

Rev. Date	Rev. #	Rev. Title
1-8-21	3	DATA UPDATE
5-9-18	2	NEW STANDARDS

SYSTEM REQUIREMENTS					
Volts	Phase	Frequency (Hz)	Plug	Minimum Circuit Ampacity	Maximum Overcurrent Protection
208	1	60	NEMA L14-30P	16	20

ELECTRICAL DATA						
Fans Per Case	High Efficiency Fans		Anti Condensate Heaters		Drain Pan	
	120 Volts		120 Volts		120 Volts	
	Amps	Watts	Amps	Watts	Amps	Watts
3	0.3	19.3	0.3	36.9	7.2	1500.0

GUIDLINES AND CONTROL DATA				
24hr Energy Usage (kWh)	Suction Pressure @ Case Outlet (psig)	Superheat Set Point @ Bulb (°F)	Discharge Air (°F)	Discharge Air Velocity (FPM)
22.02	43	6 - 8	25	235

CONDENSING UNIT DATA						
Volts	Phase	Frequency (Hz)	Running Load Amps (RLA) (Amps)	Locked Rotor Amps (LRA) (Amps)	Refrigerant	Lbs. of Refrigerant (Lbs)
208	1	60	5.3	26.5	R448A	4.06

DEFROST CONTROLS		
Defrosts Per Day	Timed-Off Defrost	
	Fail-Safe (Min)	Termination Temp (F)
3	50	46

NOTES:

- " - - - " not an option on this case model.
- Timed-off defrost is recommended for medium temperature applications.
- Temperature and defrost settings listed above are recommended start-up settings. Final operational settings may need to be adjusted for the store conditions in which the case operates.
- The recommended evaporator temperatures may need to be adjusted based on system setup, store conditions, etc. The minimum recommended evaporator temperature. temperature is 4°F below the listed evaporator temperature.



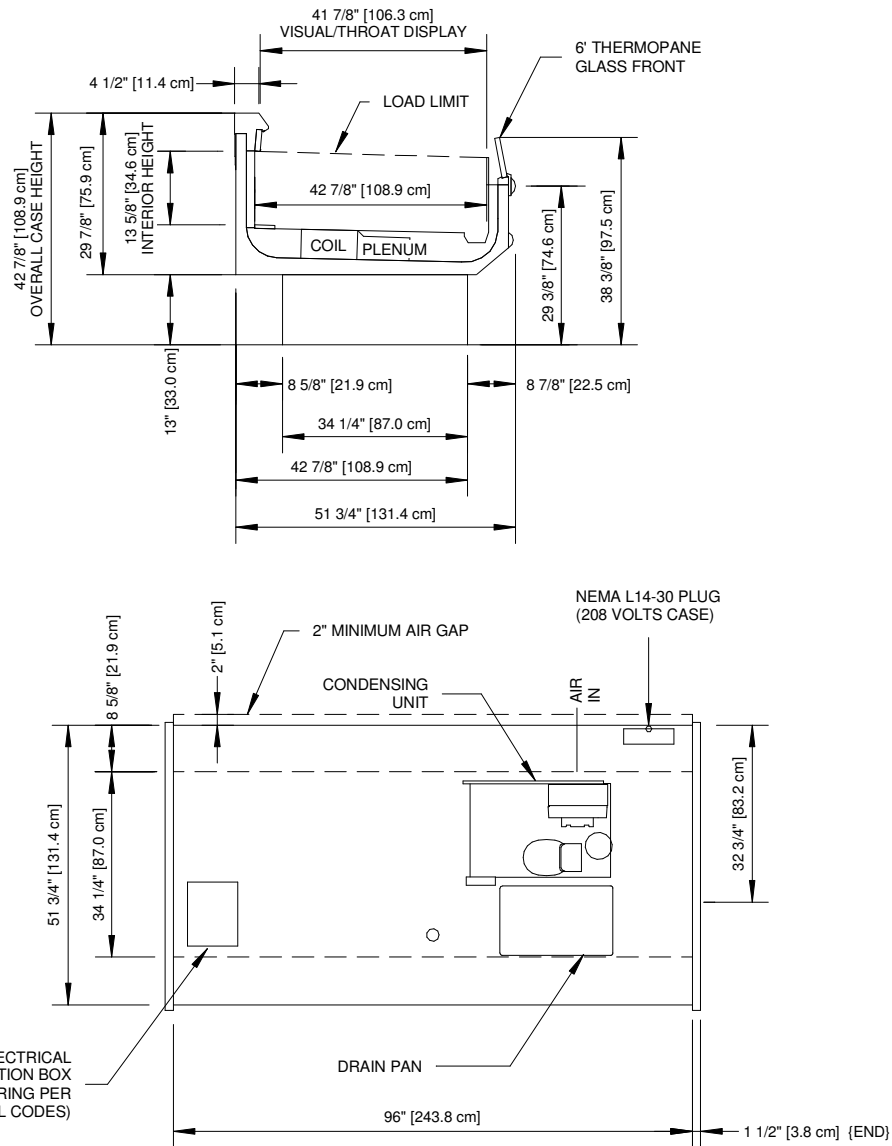
ALL MEASUREMENTS ARE TAKEN PER ASHRAE-72-2005 SPECIFICATIONS. HILLPHOENIX REFRIGERATED DISPLAY CASES FOR SALE IN THE UNITED STATES MEET OR EXCEED DEPARTMENT OF ENERGY 2017 REQUIREMENTS.

OWMA

Rev. Date	Rev. #	Rev. Title
1-8-21	3	DATA UPDATE
5-9-18	2	NEW STANDARDS



A DOVER COMPANY



NOTES:

- Ends add approximately 1" to case height.



ALL MEASUREMENTS ARE TAKEN PER ASHRAE-72-2005 SPECIFICATIONS. HILLPHOENIX REFRIGERATED DISPLAY CASES FOR SALE IN THE UNITED STATES MEET OR EXCEED DEPARTMENT OF ENERGY 2017 REQUIREMENTS.

OWMA

Rev. Date	Rev. #	Rev. Title
1-8-21	3	DATA UPDATE
5-9-18	2	NEW STANDARDS

