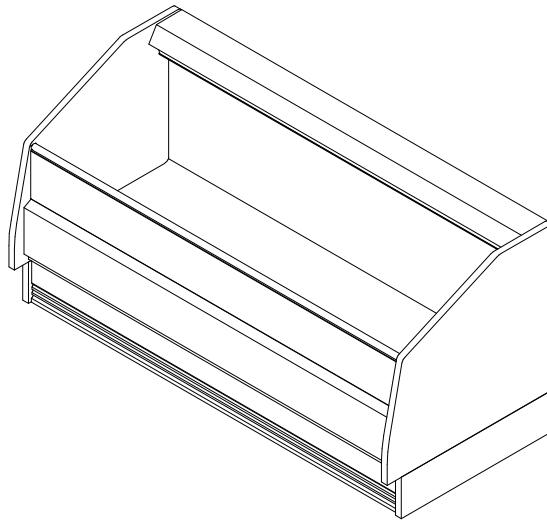


**GENERAL NOTES:**

- "---" indicates that the feature is not an option for this case model and/or the data is not yet available.



SHIPPING WEIGHT	
Case	Weight
UPL	---



ALL MEASUREMENTS ARE TAKEN PER ASHRAE-72-2005 SPECIFICATIONS. HILLPHOENIX REFRIGERATED DISPLAY CASES FOR SALE IN THE UNITED STATES MEET OR EXCEED DEPARTMENT OF ENERGY 2017 REQUIREMENTS.

**UPL**

Rev. Date	Rev. #	Rev. Title
10-16-18	3	DATA UPDATE
5-8-18	2	NEW STANDARDS

ELECTRICAL DATA			
Case Length	Fans Per Case	High Efficiency Fans	
		120 Volt	
		Amps	Watts
8'	2	0.17	20

GUIDELINES AND CONTROL SETTINGS					
BTUH/ft	Superheat Set Point @ Bulb (°F)	Evaporator (°F)	Discharge Air (°F)	Return Air (F)	Discharge Air Velocity (FPM)
500	6 - 8	26	30	40	250

DEFROST CONTROLS		
Defrosts Per Day	Timed-Off Defrost	
	Fail-Safe (Min)	Termination Temp (F)
6	45	47

**NOTES:**

- "---" indicates that the feature is not an option for this case model and/or the data is not yet available.
- Listed BTUH/ft indicate parallel operation. Conventional ratings may be approximated by multiplying listed rating by 1.13. Add 132 BTUH/ft when aftermarket merchandising accessories are utilized to determine the total BTUH load.
- Listed discharge air velocity represents the average velocity immediately after defrost.
- Temperature and defrost settings listed above are recommended start-up settings. Final operational settings may need to be adjusted for the store conditions in which the case operates.
- The recommended evaporator temperatures may need to be adjusted based on system setup, store conditions, etc. The minimum recommended evaporator temperature is 4°F below the listed evaporator temperature.
- Timed off defrost is recommended for medium temperature applications.

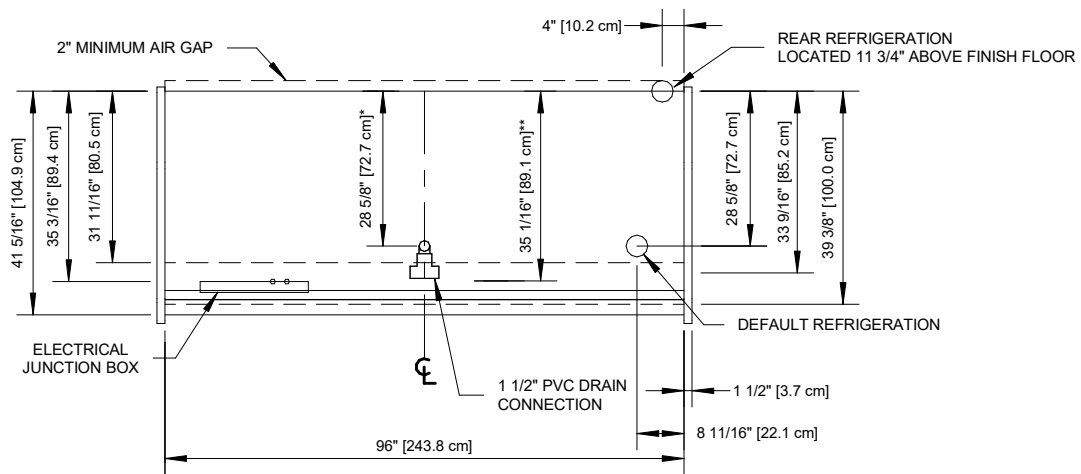
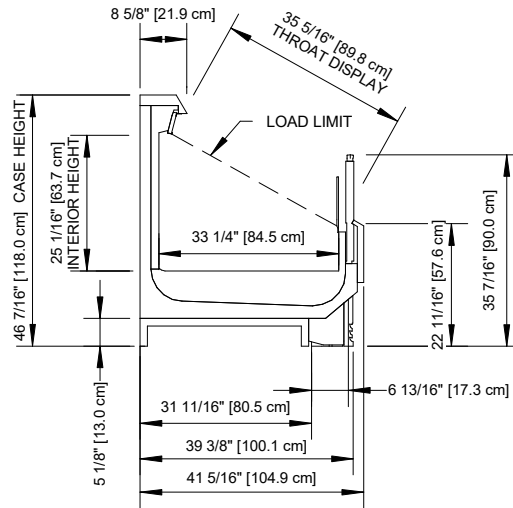


ALL MEASUREMENTS ARE TAKEN PER ASHRAE-72-2005 SPECIFICATIONS. HILLPHOENIX REFRIGERATED DISPLAY CASES FOR SALE IN THE UNITED STATES MEET OR EXCEED DEPARTMENT OF ENERGY 2017 REQUIREMENTS.

UPL

Rev. Date	Rev. #	Rev. Title
10-16-18	3	DATA UPDATE
5-8-18	2	NEW STANDARDS





### NOTES:

- \* :STUB-UP AREA
- \*\* :RECOMMENDED STUB-UP CENTERLINE FOR ELECTRICAL AND HUB DRAINS
- Ends add approximately 1" to case height, 1" to the front, and 1/2" to the back.



COMPONENT

ALL MEASUREMENTS ARE TAKEN PER ASHRAE-72-2005 SPECIFICATIONS. HILLPHOENIX REFRIGERATED DISPLAY CASES FOR SALE IN THE UNITED STATES MEET OR EXCEED DEPARTMENT OF ENERGY 2017 REQUIREMENTS.

UPL

Rev. Date	Rev. #	Rev. Title
10-16-18	3	DATA UPDATE
5-8-18	2	NEW STANDARDS

**Hillphoenix**  
A DOVER COMPANY