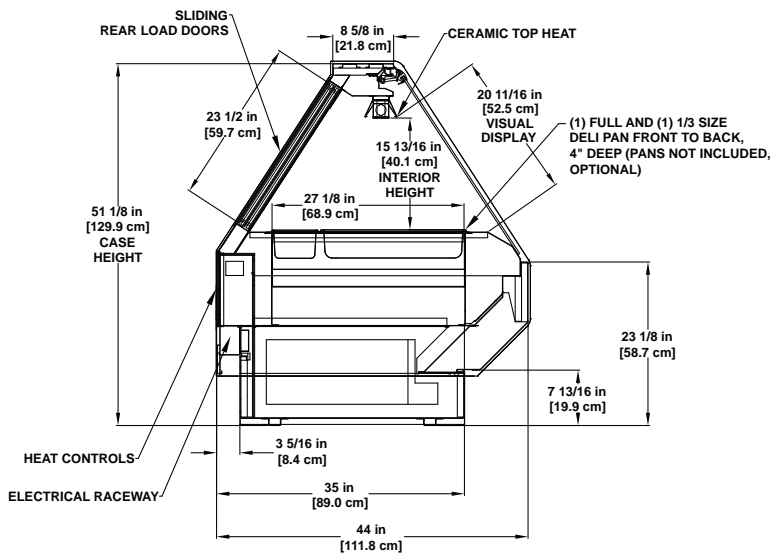


Service Single-Deck

Hot deli merchandiser.





Please consult Hillphoenix Engineering Reference Manual for dimensions, plan views and technical specifications. Specifications subject to change without notice. Designed for optimal performance in store environments where temperature and humidity do not exceed 75° F and 55% R.H. Certified to UL 471 and ANSI/NSF Standard 7.

Base Model Features

- Sled runner base construction.
- Case dimensions: 51-1/8”H & 44”D
- 7-13/16”H stainless steel toekick, front and sides.
- 45 degree front dieboard.
- Painted metal exterior.
- Stainless steel base trim, front and sides.
- Stainless steel outside back and exterior trim.
- Reflective rear load doors with gray frames.
- Single-pane regular glare flat front lift glass.
- Stainless steel interior and trim.
- Stainless steel dry heat wells including aluminum heaters, divider bars for 4”D full-size pans, and 1/3 size pans (pans not included).
- Overhead ceramic heating elements with 100W incandescent lighting (shatterproof).
- Low wattage, long wave radiant heat system.
- Dry heat, no water connection required.
- Electronically controlled zone heating with Bluetooth connectivity by degree.
- Rear mounted heat controls - separate controls for well & top heat.
- 2” dial thermometer.
- Rear electrical raceway location.
- 120/208-3-60.

Available Options

- Available lengths: 4’, 6’, 8’, 10’ and 12’.
- Alternate case heights: 48” and 54”.
- Flat front profile.
- Bullet leg base with adjustable height toekick.
- Exterior finishes: exterior grade laminate or stainless steel.
- Curved regular glare front lift glass.
- Solid surface or stone case top.
- Integrated case top scale stand or adjustable scale stand.
- Rear flip-up work boards (fixed or flip-up) in poly, stainless steel, or solid surface.
- Paper cutters.
- ISO outlet/CON outlets (specify vertical or horizontal placement on rear).
- Stainless steel pans (specify size and quantity).
- Stainless steel solid deck or hot ceramic tiles.
- Clear rear load doors.
- Front glass masking.
- Control cover.
- Solid or full-view end panels with mirror-polished, stainless steel interior.
- Thermal divider.
- Cart bumper mounted on front panel of case.
- Cart bumper added to end panels.
- Front electrical raceway.



Conyers, GA 30013
770.285.3264
hillphoenix.com

Hillphoenix

©2024 Hillphoenix, Inc.
All rights reserved.

S01_BMDH_v0524