

The road to the future is ONE way.

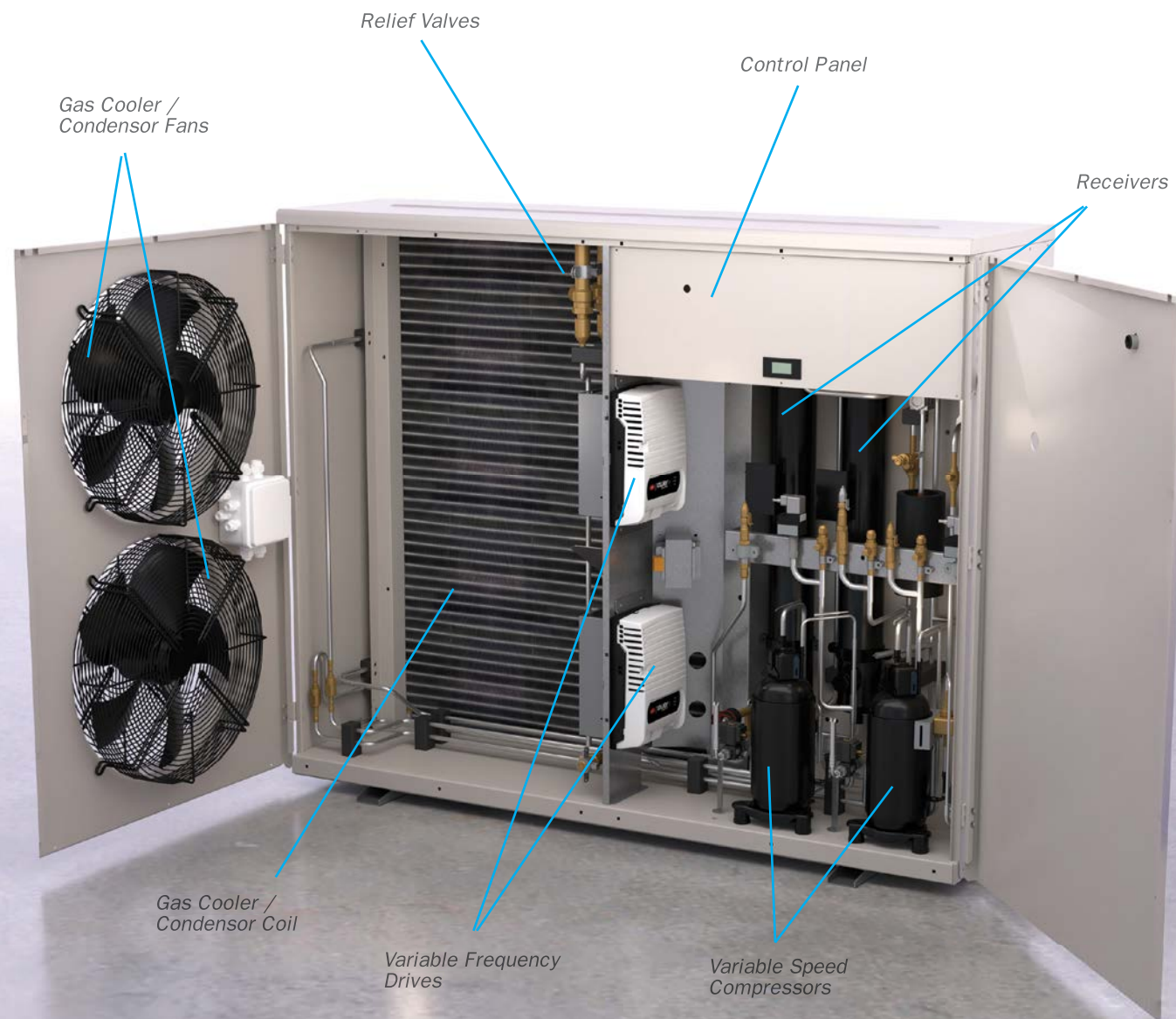
CO₂ONE Distributed Systems



CO₂ONE, the latest refrigeration system from Hillphoenix, is the newest part of our comprehensive portfolio of eco-friendly all natural products. It comes in a small, convenient footprint ideal for small capacity loads in any size store. It offers Low Temp and Medium Temp with a single condensing unit or a split system. Either configuration provides a future-focused solution based upon the economic & environmental benefits of CO₂ — GWP=1 and ODP=0!



CO₂ONE
Condensing Unit



The natural ONE.

CO₂ is a naturally occurring refrigerant that's plentiful and less expensive than HFC refrigerants. Plus, CO₂ ONE requires a smaller refrigerant charge at installation. Even more important, CO₂ saves owners the future worry of transitioning to "natural refrigerants" to comply with future regulations — CO₂ is simply as natural as it gets.

The convenient ONE.

CO₂ONE is ideal for use in a Distributed System. Its smaller footprint units can be placed outside to free up valuable floor space. Installations can be located closer to loads, which results in less field piping and wiring as well as a reduced potential for leaks. The

single condensing unit includes only the condensing unit, while the Split System comes complete with the condensing unit, controller, and unit cooler in one compact and convenient package.

The ready ONE.

No matter the application, every CO₂ONE is delivered with everything required for installation. To make things even better, a split system package includes everything needed to install on a walk in cooler or freezer. Whenever service or regular maintenance is required, CO₂ONE is ready for that as well with easy access to make those tasks as quick and hassle-free as possible.

The smart ONE.

A CO₂ONE unit can be used as a direct replacement for HFC single condensing units. They utilize a variable speed compressor to match load requirements more closely for increased efficiency.

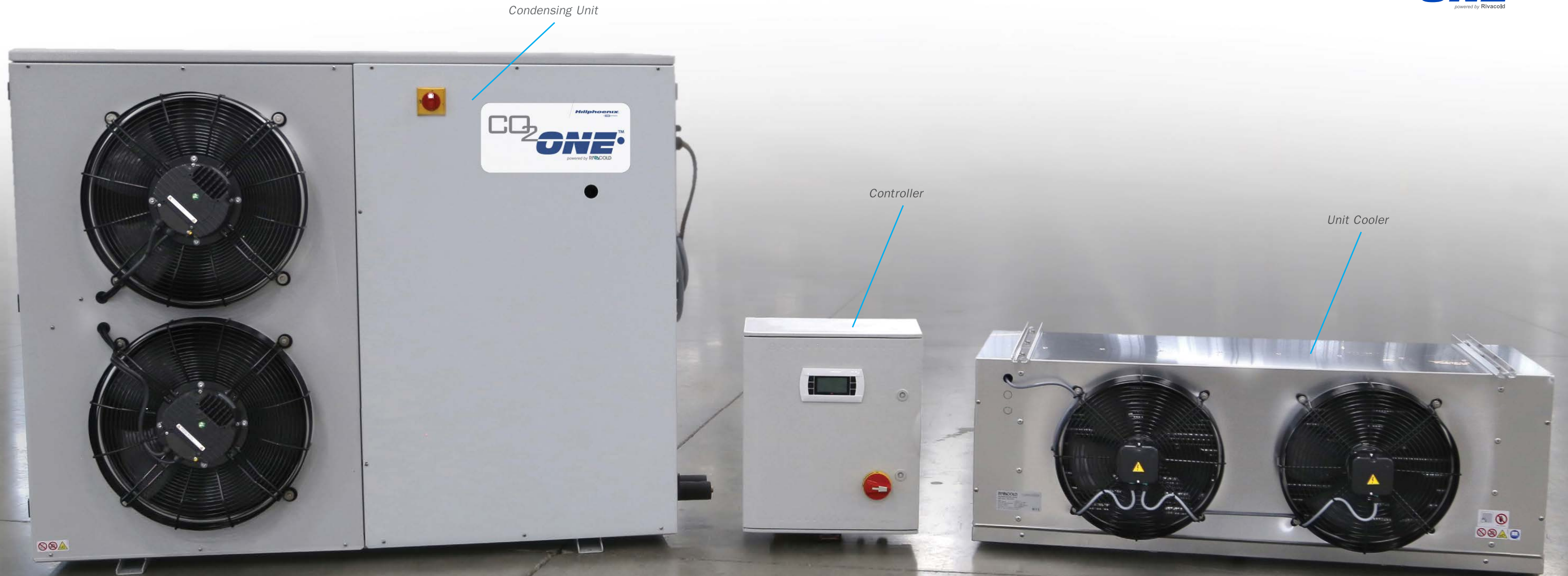
The experienced ONE.

CO₂ONE comes from the premier natural refrigerant experts in the refrigeration industry — Hillphoenix. We have the industry's most robust product line of eco-friendly solutions and years of CO₂ practical experience. Our training program has become one that

trains the whole industry. When it comes to superior products, market-leading technologies, and above and beyond service, CO₂ONE by Hillphoenix is the one.

Model Features:

- Rated for outdoor installation.
- Easy installation and start-up.
- Variable speed compressor to match load demand.
- Onboard controller to manage high side operations.
- Can be used as a distributed or central system.
- Low Noise.



Time to split?

The CO₂ONE Split System is the latest refrigeration system from Hillphoenix and the newest addition to the company's portfolio of eco-friendly all natural products.

Solve tomorrow's regulations today.

Quit worrying. A CO₂ONE Split System uses all-natural CO₂ refrigerant—much more plentiful and less expensive than HFC refrigerants. It's a future-proof solution that does the job with GWP=1 and ODP=0.

Split it and fit it anywhere.

The smaller CO₂ONE Split System, available in LT and MT applications, has a footprint that's at home in a back room, on mezzanines or even outside to free up value floor space.

Perfect for walk-in coolers and freezers.

Split Systems come complete with the condensing unit, controller, and unit cooler in one compact and convenient package. Installation on walk-in coolers or freezers is a breeze and an ideal adaptation!

A split system upgrade means less disruption.

It's perfect for phased remodels, distributed refrigeration architecture and smaller formats because split systems allow the end user to change out only part of their store at a time for less disruption. (An important benefit with new regulations tending toward weighted average GWP values!)

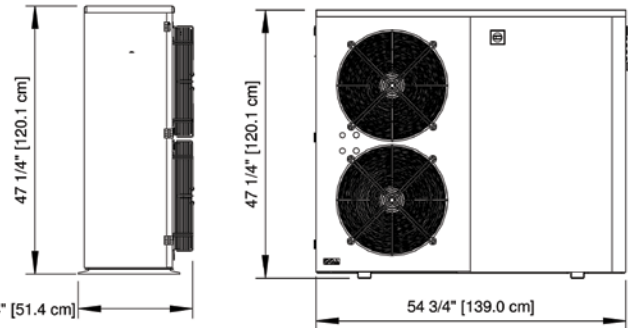
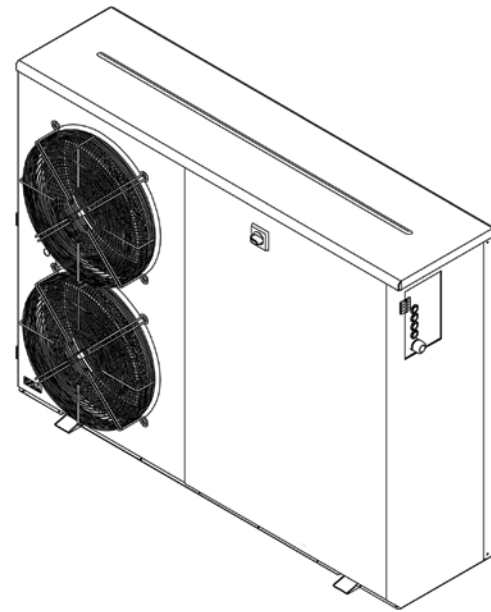
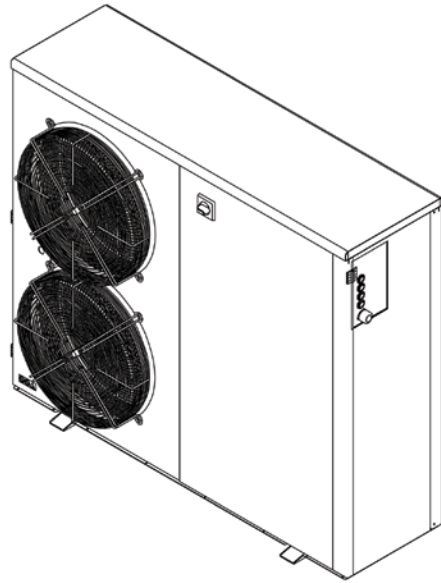
Split System Specifics:

- Same features as CDU's, but with the addition of a unit cooler and controls package
- Unit coolers are matched to CDU capacity
- Controls package regulates box temps and defrost
- Available with air (MT) or electric (LT) defrost options
- Rapid connections between unit, evaporator, and control panel make split systems quick and easy-to-install CO₂ solutions.
- The design offers an all-in-one complete system for CO₂ trans-critical application, ready to be installed from the factory.

Model Features:

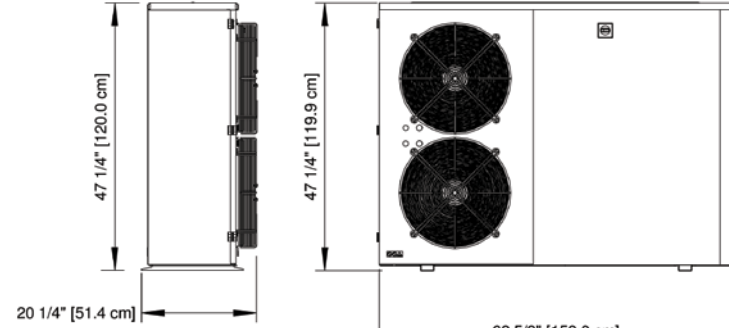
- Easy installation and start-up.
- Variable speed compressor to match load demand.
- Controller to manage complete system.
- Can be used as a distributed or central system.
- Split system includes condensing unit, controller and unit cooler.
- Low Noise.
- Unit coolers available with air (MT) or electric (LT) defrost options.

CO₂One should be used with Hillphoenix supplied cases or unit coolers. These cases and unit coolers come equipped with 60 Bar rated evaporators, electronic expansion valves and the necessary controls for use with CO₂. Any customer supplied cases or units must, at a minimum, have the above features and capabilities.



SIDE VIEW

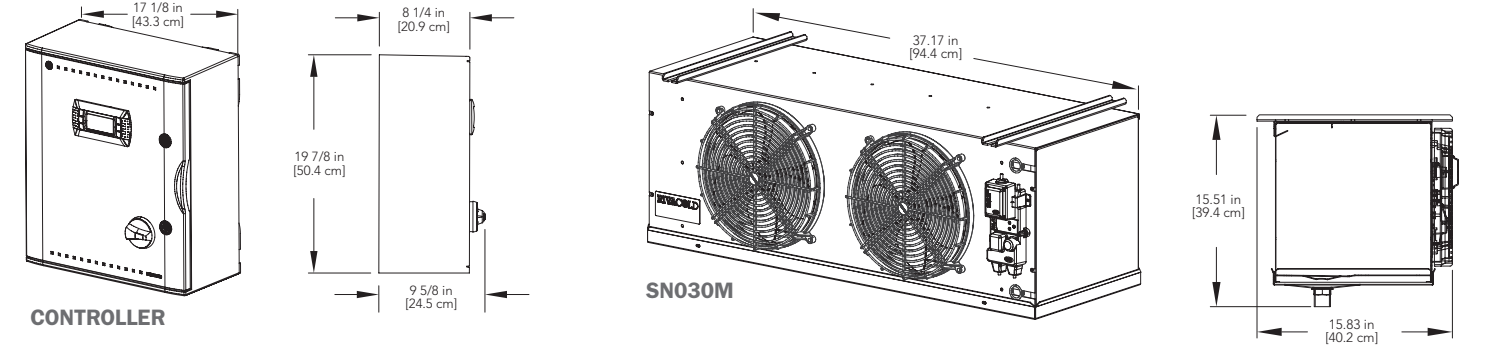
FRONT VIEW



SIDE VIEW

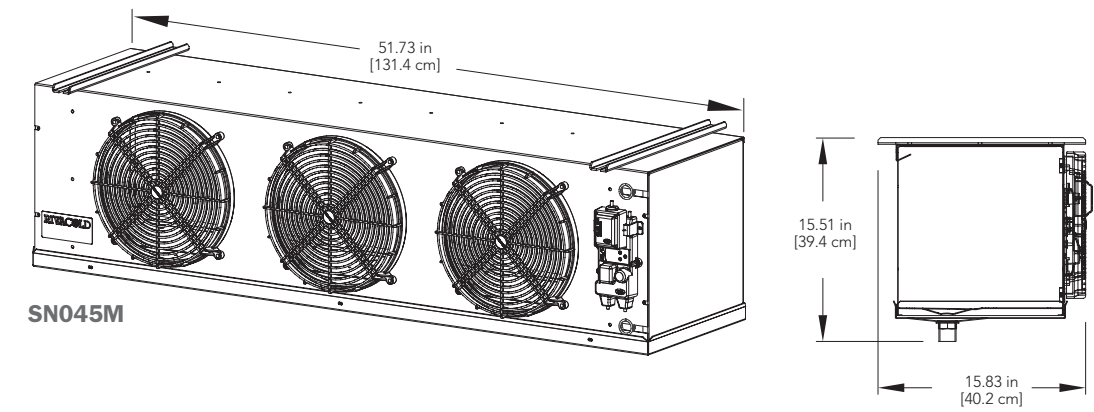
FRONT VIEW

| Condensing Unit | | | | | | | |
|--|-----------|-------|---------------|-------|-------|--------|--------|
| CO ₂ ONE - Condensing Unit Only | Capacity* | MT/LT | Voltage | Width | Depth | Height | Weight |
| CN030M145XU211 | 9,640 | MT | 230V/1ph/60Hz | 54.72 | 20.28 | 47.24 | 308.7 |
| CN045M145XU211 | 14,280 | MT | 230V/1ph/60Hz | 54.72 | 20.28 | 47.24 | 308.7 |
| CN067M145XU211 | 20,150 | MT | 230V/1ph/60Hz | 54.72 | 20.28 | 47.24 | 352.8 |
| CN100M145XU212 | 29,140 | MT | 460V/3ph/60Hz | 54.72 | 20.28 | 47.24 | 352.8 |
| CN075L145XU211 | 11,300 | LT | 230V/1ph/60Hz | 62.6 | 20.28 | 47.24 | 463.1 |
| CN112L245XU211 | 17,170 | LT | 460V/3ph/60Hz | 62.6 | 20.28 | 47.24 | 463.1 |
| CN167L245XU211 | 25,620 | LT | 460V/3ph/60Hz | 62.6 | 20.28 | 47.24 | 463.1 |

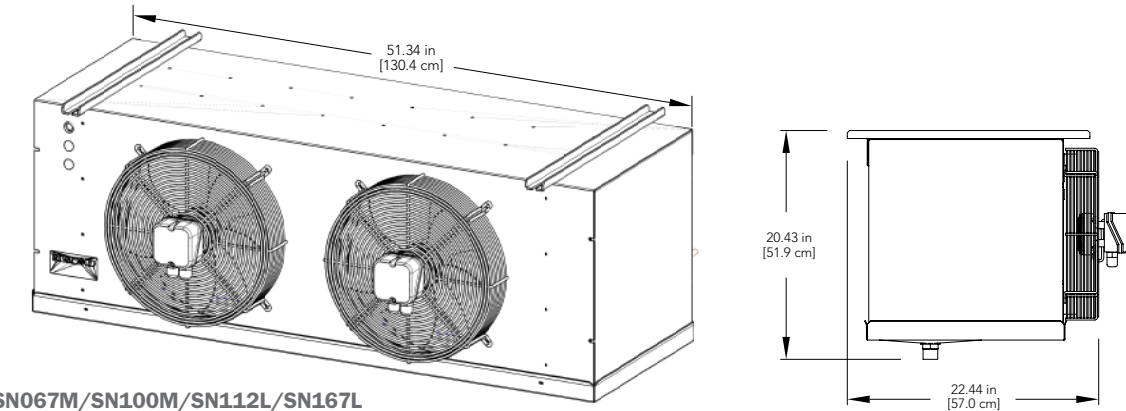


CONTROLLER

SN030M



SN045M



SN067M/SN100M/SN112L/SN167L

| Unit Cooler | | | | | | | | |
|------------------------------------|-----------|-------|---------------|------|-------|-------|--------|--------|
| CO ₂ ONE - Split System | Capacity* | MT/LT | Voltage | Fans | Width | Depth | Height | Weight |
| SN030M145XU211 | 9,640 | MT | 230V/1ph/60Hz | 2 | 37.17 | 15.83 | 15.51 | 45.6 |
| SN045M145XU211 | 14,280 | MT | 230V/1ph/60Hz | 3 | 51.73 | 15.83 | 15.51 | 65.7 |
| SN067M145XU211 | 20,150 | MT | 230V/1ph/60Hz | 2 | 51.34 | 22.44 | 20.43 | 76.94 |
| SN100M145XU212 | 29,140 | MT | 460V/3ph/60Hz | 2 | 51.34 | 22.44 | 20.43 | 106.48 |
| SN075L145XU211 | 11,300 | LT | 230V/1ph/60Hz | 2 | 37.17 | 15.8 | 15.5 | 53.35 |
| SN112L245XU211 | 17,170 | LT | 460V/3ph/60Hz | 2 | 51.34 | 22.44 | 20.43 | 74.52 |
| SN167L245XU211 | 25,620 | LT | 460V/3ph/60Hz | 2 | 51.34 | 22.44 | 20.43 | 101.85 |



Please consult Hillphoenix Engineering Reference Manual for dimensions, plan views and technical specifications. Specifications are subject to change without notice. Certified to UL 471 and ANSI/NSF standard 7.

Designed for optimal performance in store environments where temperatures and humidity do not exceed 75°F and 55%R.H.



Please consult Hillphoenix Engineering Reference Manual for dimensions, plan views and technical specifications. Specifications are subject to change without notice. Certified to UL 471 and ANSI/NSF standard 7.

Designed for optimal performance in store environments where temperatures and humidity do not exceed 75°F and 55%R.H.

Hillphoenix[®]

2016 Gees Mill Road
Conyers, GA 30013
770-285-3264

www.hillphoenix.com