

Hillphoenix

a **DOVER** company

OWEZV

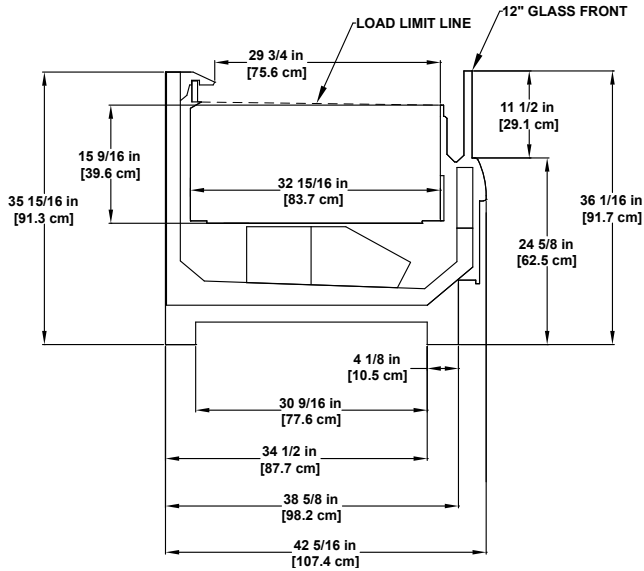
Single-Deck Wide Island End Cap

Wide island configuration offers increased product capacity either alone or with OWIZV island lineup. Double bin design for frozen food, ice cream and medium-temperature applications with dual-temperature capability.

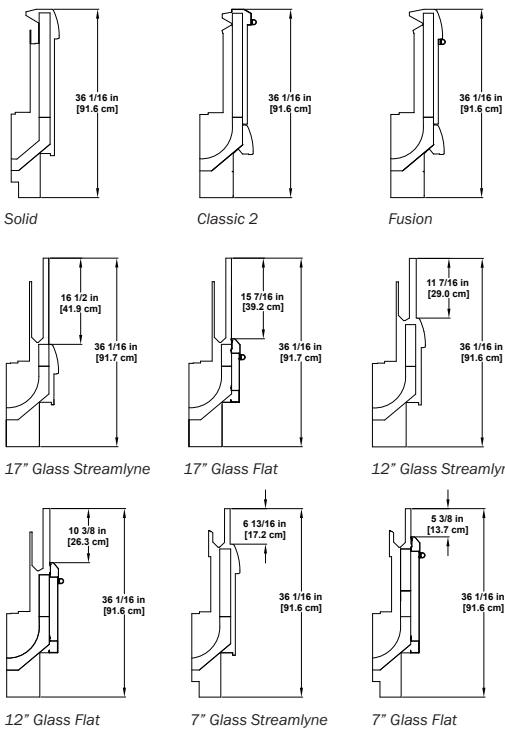


Photo may depict options not included on standard models.

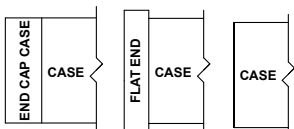
Case Cross Section



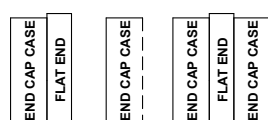
Front Options



End Options



Case Configurations



Base Model Features

- Abundant product facings maximize display impact of this wide island endcap case.
- Advanced coil and baffle design provides consistent temperatures throughout the spacious bin for maintaining product integrity.
- Bottom-mounted copper coil and lift-up fan plenum with easily-removable fan basket and motor assembly for ease of maintenance.
- Seamless tank liner provides positive drain runoff and enhanced sanitation.
- Removable casters for easy merchandiser unloading and movement during installation.

Available Options

- Available as an endcap.
- Fronts are available in solid or glass construction.
- Solid front options include: Standard Solid, Classic 2 and Fusion.
- Glass front options include: 7", 12" and 17" with streamlyne bumper or flat front.
- Custom colors, finishes and textures.
- Insulated ends available for placement against walls or cases.
- Polymer or stainless end trim available.
- Base frames available in 5" standard or 7" custom.
- Optional dual-temp switch allows quick and easy change between medium and low-temp applications for increased merchandising flexibility.
- Unitized design utilizes single-point connection for hook-up, reducing the number of connections and installs per line-up.
- Electrical or hot gas defrost are available to meet your particular engineering design preference.
- Optional electrical outlet can be installed in the kick plate for easy power access.
- Optional electronic case controller manages case performance for consistent temperature and product integrity.
- Optional 9.5" and 14" utility box for refrigeration and electrical connections.
- Configuration: Endcap case with flat end, single unitized endcap case with case joint, back-to-back endcap case.
- Combine the OWIZV with OWEZV wide island end cap to increase capacity and present shoppers with a continuous display of product.



Please consult Hillphoenix Engineering Reference Manual for dimensions, plan views and technical specifications. Specifications subject to change without notice. Designed for optional performance in store environments where temperature and humidity do not exceed 75 degrees and 55% R.H. Certified to UL 471 and ANSI/NSF Standard 7.

Dover Food Retail
 Conyers, GA USA
 844.591.5937
 hillphoenix.com



©2018 Hillphoenix, Inc.