

## Low-Front Glass Door Reach-In

Medium temperature merchandiser for beverage, produce, bakery, dairy, deli, meat and seafood.



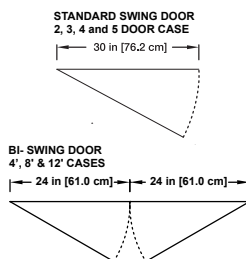
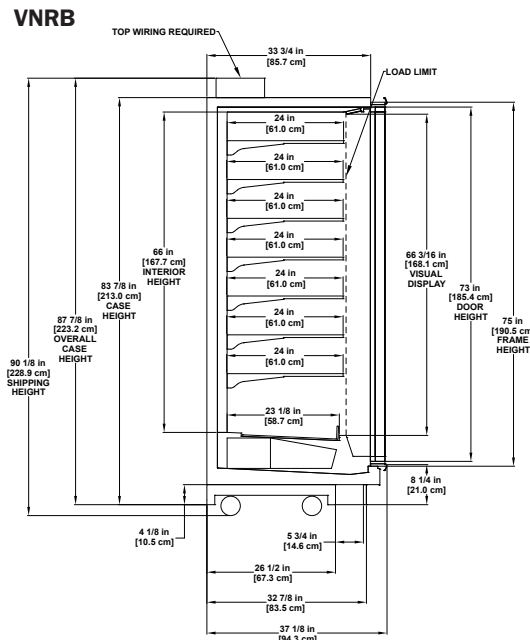
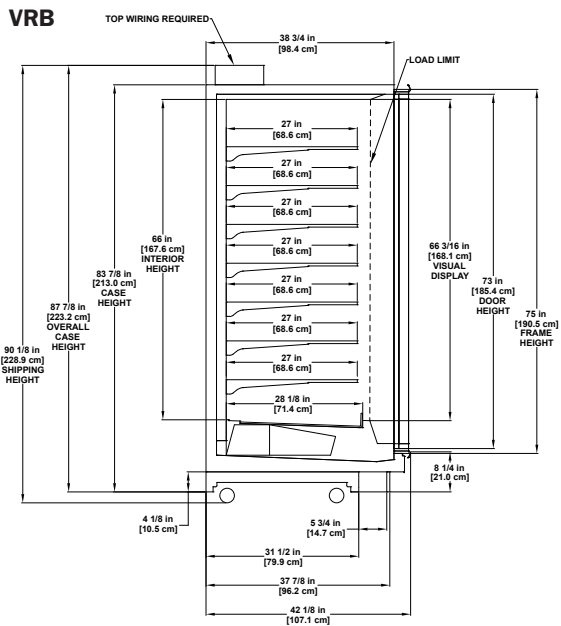
CLARITY® reach-in merchandisers customized with the ideal frame and door options deliver superior performance for every need.

Multiple sizes and configurations help store merchandisers provide unique refrigeration options and enhanced product displays to create a superior shopper experience.

**CLARITY**®  
Reach-In Merchandisers from Hillphoenix

# Model VRB/VNRB

## Low-Front Glass Door Reach-In



### Door Options

Consult Hillphoenix Engineering Reference Manual for more available options.

Casters add 2 1/4" to shipping height.

Please consult Hillphoenix Engineering Reference Manual for dimensions, plan views and technical specifications. Specifications subject to change without notice. Designed for optimal performance in store environments where temperature and humidity do not exceed 75° F and 55% R.H. Certified to UL 471 and ANSI/NSF Standard 7.

## Base Model Features

- 75" tall door, coupled with 8" ultra-low front, maximizes product visibility and merchandising versatility.
- 66" interior front facings enhance planogram design options with added flexibility and versatility. With no restrictions in the interior due to refrigeration components being located in the tank below the deck pan, planograms are easier to design allowing for product to take center stage.
- Bottom-located refrigeration components facilitate serviceability and allow for full top shelf merchandising.
- Modular interior components design allows easy access to the coil, fans and drain for ease of maintenance.
- Proprietary Synerg-E® technology and energy efficient fan motors ensure uniform case performance and lower average product temperatures with optimum energy efficiency.
- Medium and low temp models match for consistent in-store design.
- Innovative Anthony® Optimax LED lighting choices increase visual impact of product while reducing energy consumption.
- Shelving: VRB - 27", VNRB - 24".
- Removable casters for easy merchandiser unloading and movement during installation.

## Available Options

- 2, 3, 4 & 5 door with 30" standard swing doors.
- 4', 8', 12' cases with 24" French bi-swing doors.
- Variety of door rail profiles, finishes and handles.
- Anthony® 101 door frame with Infinity® 90 or ELM-D doors.
- Anthony Vista® door frame with Vista C or Infinity 60 bi-swing doors.
- Available door colors: silver satin, polished aluminum, black, gray or glass infinity edge.
- Zero energy doors.
- Shelving: VRB - 24", VNRB - 22".
- Motion sensors for additional energy savings.
- Timed-off defrost.
- Available in narrow or standard depths.
- Polymer or metal end trim.



Dover Food Retail  
Conyers, GA USA  
844.591.5937  
hillphoenix.com

©2020 Hillphoenix, Inc.

