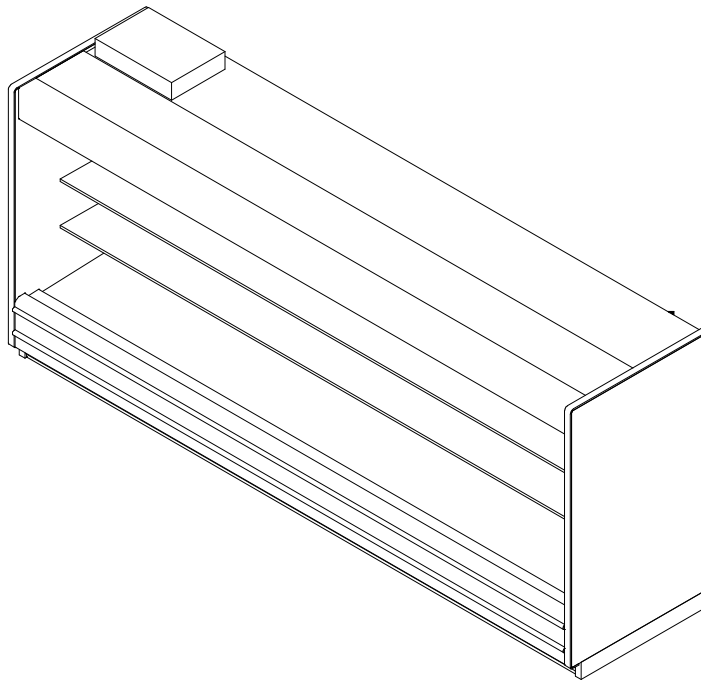


# 3NDML-NRG

4', 6', 8' & 12' Multi-Deck Merchandiser with Synerg-E™  
Beverage/Bulk Produce/Bakery/Dairy/Cut Produce/Deli

**GENERAL NOTES:**

- "---" indicates that feature is not an option on this case model and/or the data is not yet available.



SHIPPING WEIGHT	
Case	Weight
3NDML-NRG	---



ALL MEASUREMENTS ARE TAKEN PER ASHRAE-72 SPECIFICATIONS. HILLPHOENIX REFRIGERATED DISPLAY CASES FOR SALE IN THE UNITED STATES MEET OR EXCEED DEPARTMENT OF ENERGY 2017 REQUIREMENTS.

**3NDML-NRG**

Rev. Date	Rev. #	Rev. Title
05-27-22	12	DATA UPDATE
03-07-22	11	DATA UPDATE



A DOVER COMPANY

# 3NDML-NRG

4', 6', 8' & 12' Multi-Deck Merchandiser with Synerg-E™  
Beverage/Bulk Produce/Bakery/Dairy/Cut Produce/Deli

ELECTRICAL DATA			
Case Length	Fans Per Case	High Efficiency Fans	
		120 Volts	
		Amps	Watts
4'	2	0.36	43.3
6'	3	0.57	65.0
8'	3	0.57	65.0
12'	4	0.72	86.7

LIGHTING DATA						
Case Length	Lights Per Row	Light Length	Clearvoyant V4 LED Lighting (Per Light Row)			
			Standard Power (Cornice or Shelf)		High Power (Cornice)	
			120 Volts		120 Volts	
			Amps	Watts	Amps	Watts
4'	1	4'	0.05	5.9	0.12	14.9
6'	2	3'	0.08	9.4	0.20	23.8
8'	2	4'	0.10	11.8	0.25	29.8
12'	3	4'	0.15	17.6	0.37	44.8

GUIDELINES AND CONTROL SETTINGS {DIRECT EXPANSION HFC/CO2}						
Application	BTUH/ft		Superheat Set Point @ Bulb (°F)	Evaporator (°F)	Discharge Air (°F)	Discharge Air Velocity (FPM)
	Conventional	Parallel				
Bakery/Cut Produce/Dairy/Deli	1396	1343	6 - 8	28	33	210
Beverage/Bulk Produce	1239	1225	6 - 8	32	37	210

DEFROST CONTROLS {DIRECT EXPANSION HFC/CO2}			
Application	Defrosts Per Day	Timed-Off Defrost	
		Fail-Safe (Min)	Termination Temp (°F)
Bakery/Cut Produce/Dairy/Deli	6	45	47
Beverage/Bulk Produce	2	30	47

**NOTES:**

- "---" indicates that feature is not an option on this case model and/or the data is not yet available.
- Listed BTUH/ft data represent unlighted shelves. For LED lighting, add 9 BTUH/ft per row of lighted shelving.
- BTUH load increases by 132 BTUH/ft when aftermarket merchandising accessories are utilized.
- Listed evaporator temperature represents unlighted shelves. For lighted shelves and/or aftermarket merchandising accessories, reduce the listed evaporator temperature by 2°F.
- Conventional Discharge Air Control – Recommended Settings: Cut-In Temp = Discharge Air + 2°F; Cut-Out Temp = Discharge Air - 2°F.
- Listed discharge air velocity represents the average velocity at the peak of defrost.
- Temperature and defrost settings listed above are recommended start-up settings. Final operational settings may need to be adjusted for the store condition in which the case operates.
- Discharge air temperature values represent readings taken within the upper air channel immediately behind/upstream of the honeycomb.



ALL MEASUREMENTS ARE TAKEN PER ASHRAE-72 SPECIFICATIONS. HILLPHOENIX REFRIGERATED DISPLAY CASES FOR SALE IN THE UNITED STATES MEET OR EXCEED DEPARTMENT OF ENERGY 2017 REQUIREMENTS.

**3NDML-NRG**

Rev. Date	Rev. #	Rev. Title
05-27-22	12	DATA UPDATE
03-07-22	11	DATA UPDATE



A DOVER COMPANY

# 3NDML-NRG

4', 6', 8' & 12' Multi-Deck Merchandiser with Synerg-E™  
Beverage/Bulk Produce/Bakery/Dairy/Cut Produce/Deli

CORNICE OPTIONS	FRONT OPTIONS	SHELF TAG MOLDING OPTIONS	PRODUCT STOP OPTIONS (ONLY APPLICABLE ON SLOTTED TM)	SHELF EDGE ENERGY SAVINGS
<u>CURVED CORNICE</u>  	<u>CLASSIC 2 STANDARD FRONT</u>  	<u>1.25\" STD</u>  	<u>3\" PLEXI PRODUCT STOPS</u>  	<u>ECO BLADE FLAT SHELF</u>  
<u>CURVED CORNICE WITH NIGHT COVER</u>  	<u>CLASSIC 2 17\" FRONT *</u>  	<u>SLOTTED</u>  	<u>5\" PLEXI PRODUCT STOPS</u>  	<u>ECO BLADE ANGLED SHELF</u>  
<u>FAUCETED CORNICE</u>  	<u>ANGLED FRONT</u>  	<u>ANGLED</u>  	<u>WIRE FENCE PRODUCT STOPS</u>  	
<u>FAUCETED CORNICE WITH NIGHT COVER</u>  	<u>ANGLED FRONT *</u>  	<u>ANGLED SLOTTED</u>  		
<u>FLAT CORNICE</u>  	<u>FLAT FRONT</u>  			
<u>FLAT CORNICE WITH NIGHT COVER</u>  	<u>17\" FLAT FRONT *</u>  			

**NOTES:**

- Tag molding materials are PVC, aluminum, or painted aluminum.
- See Ecoblade tech sheet for additional information.
- \* W/ & W/O nose lights.



ALL MEASUREMENTS ARE TAKEN PER ASHRAE-72 SPECIFICATIONS. HILLPHOENIX REFRIGERATED DISPLAY CASES FOR SALE IN THE UNITED STATES MEET OR EXCEED DEPARTMENT OF ENERGY 2017 REQUIREMENTS.

**3NDML-NRG**

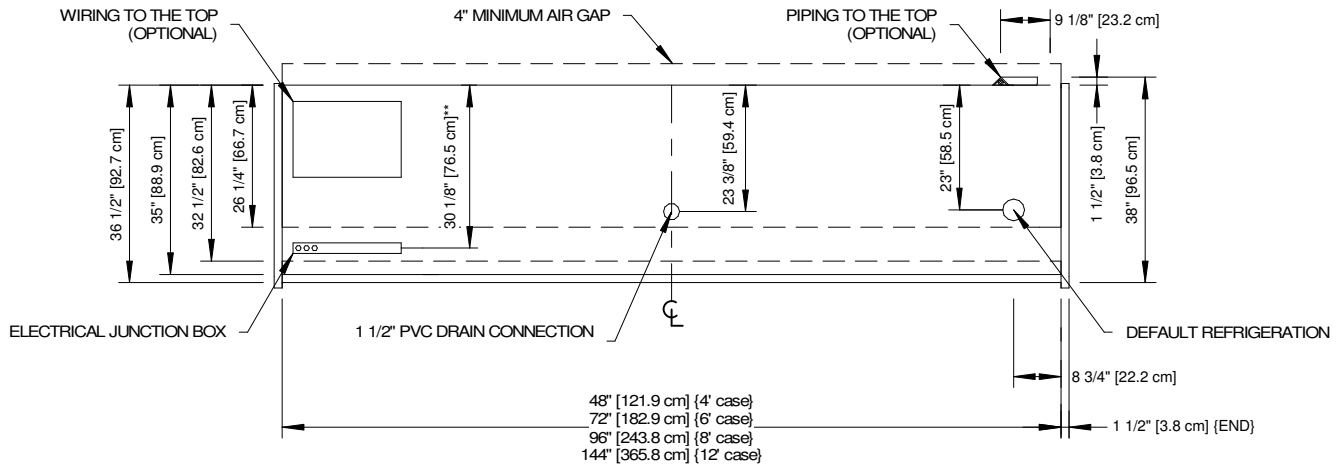
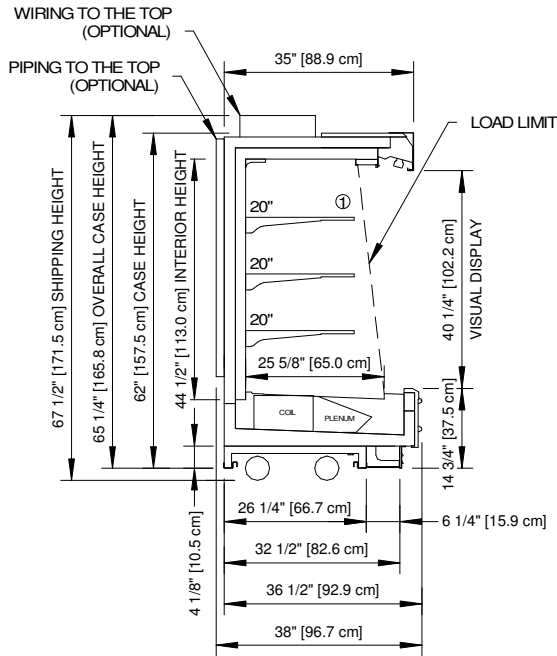
Rev. Date	Rev. #	Rev. Title
05-27-22	12	DATA UPDATE
03-07-22	11	DATA UPDATE



A DOVER COMPANY

# 3NDML-NRG

4', 6', 8' & 12' Multi-Deck Merchandiser with Synerg-E™ Beverage/Bulk Produce/Bakery/Dairy/Cut Produce/Deli



**NOTES:**

\* : STUP-UP AREA

\*\* : RECOMMENDED STUP-UP CENTER LINE FOR ELECTRICAL AND HUB DRAINS

① : AVAILABLE SHELF SIZES: 10", 12", 14", 16", 18", 20", 22" & 24"; (3) ROWS OF SHELVES MAX

- Ends add approximately 1" to case height.
- Back panels add approximately 1" to the rear of the case



**3NDML-NRG**

ALL MEASUREMENTS ARE TAKEN PER ASHRAE-72 SPECIFICATIONS. HILLPHOENIX REFRIGERATED DISPLAY CASES FOR SALE IN THE UNITED STATES MEET OR EXCEED DEPARTMENT OF ENERGY 2017 REQUIREMENTS.

Rev. Date	Rev. #	Rev. Title
05-27-22	12	DATA UPDATE
03-07-22	11	DATA UPDATE



A DOVER COMPANY