

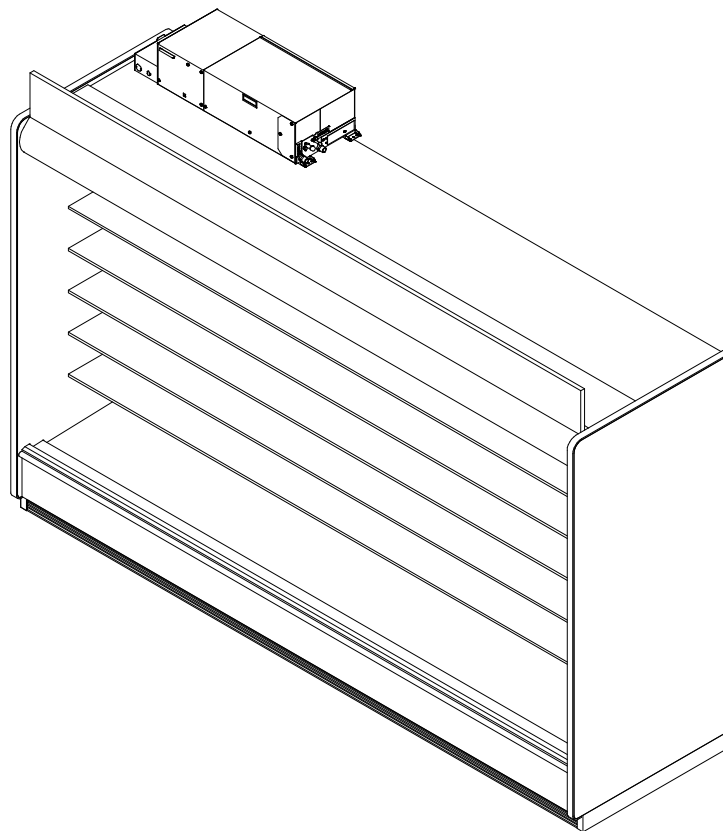
6DMLHQA-NRG

4', 6', 8' & 12' High Multi-Deck Merchandiser with Synerg-E™
Beverage/Bulk Produce/Bakery/Dairy/Cut Produce/Deli

SOLOCHILL
MICRO-DISTRIBUTED

GENERAL NOTES:

- "---" indicates that the feature is not an option with this model and/or the data is not yet available.
- LED lights only.



SHIPPING WEIGHT	
Case	Weight
6DMLHQA-NRG	---



COMPONENT

ALL MEASUREMENTS ARE TAKEN PER ASHRAE-72 SPECIFICATIONS. HILLPHOENIX REFRIGERATED DISPLAY CASES FOR SALE IN THE UNITED STATES MEET OR EXCEED DEPARTMENT OF ENERGY 2017 REQUIREMENTS.

6DMLHQA-NRG

Rev. Date	Rev. #	Rev. Title
12-07-21	7	OPTION PAGE UPDATE
10-21-20	6	SOLOCHILL V5

Hillphoenix
A DOVER COMPANY

6DMLHQA-NRG

4', 6', 8' & 12' High Multi-Deck Merchandiser with Synerg-E™
Beverage/Bulk Produce/Bakery/Dairy/Cut Produce/Deli



ELECTRICAL DATA			
Case Length	Fans Per Case	High Efficiency Fans	
		120 Volts	
		Amps	Watts
4'	2	0.38	43
6'	3	0.57	65
8'	3	0.57	65
12'	4	0.76	87

LIGHTING DATA						
Case Length	Lights per row	Lights Length	Clearvoyant LED Lighting (Per Light Row)			
			Standard Power (Cornice or Shelf)		High Power (Cornice)	
			120 Volts		120 Volts	
			Amps	Watts	Amps	Watts
4'	1	4'	0.05	5.9	0.12	14.9
6'	2	3'	0.08	9.4	0.20	23.8
8'	2	4'	0.10	11.8	0.25	29.9
12'	3	4'	0.15	17.6	0.37	44.8

DEFROST CONTROLS			
Application	Defrosts Per Day	Timed-Off Defrost	
		Fail-Safe (Min)	Termination Temp (°F)
Bakery/Cut Produce/Dairy/Deli	6	45	47
Beverage/Bulk Produce	2	30	47

NOTES:

- "---" indicates that the feature is not an option with this model and/or the data is not yet available.
- Listed discharge air velocity represents the average velocity immediately after defrost.
- Temperature and defrost settings listed above are recommended start-up settings. Final operational settings may need to be adjusted for the store conditions in which the case operates.



ALL MEASUREMENTS ARE TAKEN PER ASHRAE-72 SPECIFICATIONS. HILLPHOENIX REFRIGERATED DISPLAY CASES FOR SALE IN THE UNITED STATES MEET OR EXCEED DEPARTMENT OF ENERGY 2017 REQUIREMENTS.

6DMLHQA-NRG

Rev. Date	Rev. #	Rev. Title
12-07-21	7	OPTION PAGE UPDATE
10-21-20	6	SOLOCHILL V5



A DOVER COMPANY

6DMLHQA-NRG

4', 6', 8' & 12' High Multi-Deck Merchandiser with Synerg-E™
Beverage/Bulk Produce/Bakery/Dairy/Cut Produce/Deli



SOLOCHILL DATA			@95° Condensing Temperature			
Volts	Phase	Frequency	Wire			
208	1	60	3 Wire + Ground			
Application			Case Length	Evaporator Temp (°F)	Discharge Air (°F)	Discharge Air Velocity (FPM)
DAIRY/DELI/CUT PRODUCE			4'	26	31	260
DAIRY/DELI/CUT PRODUCE			6'	26	31	260
DAIRY/DELI/CUT PRODUCE			8'	26	31	260
DAIRY/DELI/CUT PRODUCE			12'	26	31	260
BULK PRODUCE/BEVERAGE			4'	32	37	260
BULK PRODUCE/BEVERAGE			6'	32	37	260
BULK PRODUCE/BEVERAGE			8'	32	37	260
BULK PRODUCE/BEVERAGE			12'	32	37	260

Application	Case Length	R448A					
		Condensing Unit Model	MCA	MOP	Required Capacity	THR (BTUH)	Flow Rate
DAIRY/DELI/CUT PRODUCE	4'	DA130	11.4	15	6996	8733	2.5
DAIRY/DELI/CUT PRODUCE	6'	DA220	18.3	20	10494	12824	3.7
DAIRY/DELI/CUT PRODUCE	8'	DA220	18.7	20	13992	17062	4.9
DAIRY/DELI/CUT PRODUCE	12'	DA420	37.2	40	20988	25916	7.4
BULK PRODUCE/BEVERAGE	4'	DA130	11.4	15	6556	8003	2.3
BULK PRODUCE/BEVERAGE	6'	DA220	18.3	20	9834	12567	3.6
BULK PRODUCE/BEVERAGE	8'	DA220	18.7	20	13112	15668	4.5
BULK PRODUCE/BEVERAGE	12'	DA420	37.2	40	19668	23851	6.8



ALL MEASUREMENTS ARE TAKEN PER ASHRAE-72 SPECIFICATIONS. HILLPHOENIX REFRIGERATED DISPLAY CASES FOR SALE IN THE UNITED STATES MEET OR EXCEED DEPARTMENT OF ENERGY 2017 REQUIREMENTS.

6DMLHQA-NRG

Rev. Date	Rev. #	Rev. Title
12-07-21	7	OPTION PAGE UPDATE
10-21-20	6	SOLOCHILL V5

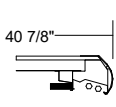
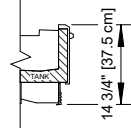

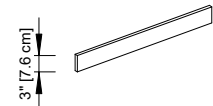
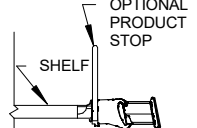
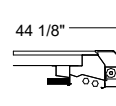
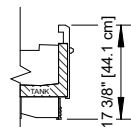
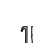
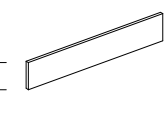
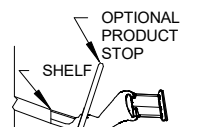
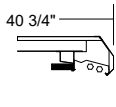
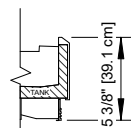


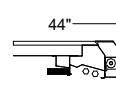
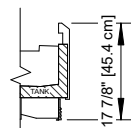

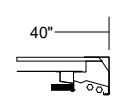
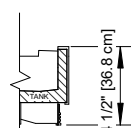
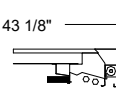
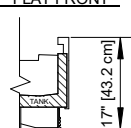


A DOVER COMPANY

6DMLHQA-NRG

4', 6', 8' & 12' High Multi-Deck Merchandiser with Synerg-E™
Beverage/Bulk Produce/Bakery/Dairy/Cut Produce/Deli

SOLOCHILL
MICRO-DISTRIBUTED

CORNICE OPTIONS	FRONT OPTIONS	SHELF TAG MOLDING OPTIONS	PRODUCT STOP OPTIONS (ONLY APPLICABLE ON SLOTTED TM)	SHELF EDGE ENERGY SAVINGS
<u>CURVED CORNICE</u>  <p>40 7/8"</p>	<u>CLASSIC 2 STANDARD FRONT</u>  <p>14 3/4" [37.5 cm]</p>	<u>1.25" STD</u> 	<u>3" PLEXI PRODUCT STOPS</u>  <p>3" [7.6 cm]</p>	<u>ECO BLADE FLAT SHELF</u>  <p>OPTIONAL PRODUCT STOP SHELF</p>
<u>CURVED CORNICE WITH NIGHT COVER</u>  <p>44 1/8"</p>	<u>CLASSIC 2 17" FRONT *</u>  <p>17 3/8" [44.1 cm]</p>	<u>SLOTTED</u> 	<u>5" PLEXI PRODUCT STOPS</u>  <p>5" [12.7 cm]</p>	<u>ECO BLADE ANGLED SHELF</u>  <p>OPTIONAL PRODUCT STOP SHELF</p>
<u>FACETED CORNICE</u>  <p>40 3/4"</p>	<u>ANGLED FRONT</u>  <p>15 3/8" [39.1 cm]</p>	<u>ANGLED</u> 	<u>WIRE FENCE PRODUCT STOPS</u>  <p>3 3/8" [8.7 cm]</p>	
<u>FACETED CORNICE WITH NIGHT COVER</u>  <p>44"</p>	<u>ANGLED FRONT *</u>  <p>17 7/8" [45.4 cm]</p>	<u>ANGLED SLOTTED</u> 		
<u>FLAT CORNICE</u>  <p>40"</p>	<u>FLAT FRONT</u>  <p>14 1/2" [36.8 cm]</p>			
<u>FLAT CORNICE WITH NIGHT COVER</u>  <p>43 1/8"</p>	<u>17" FLAT FRONT *</u>  <p>17" [43.2 cm]</p>			

NOTES:

* : W & W/O NOSE LIGHT

- Tag molding materials are PVC, aluminum, or painted aluminum.
- See Ecoblade tech sheet for additional information.



6DMLHQA-NRG

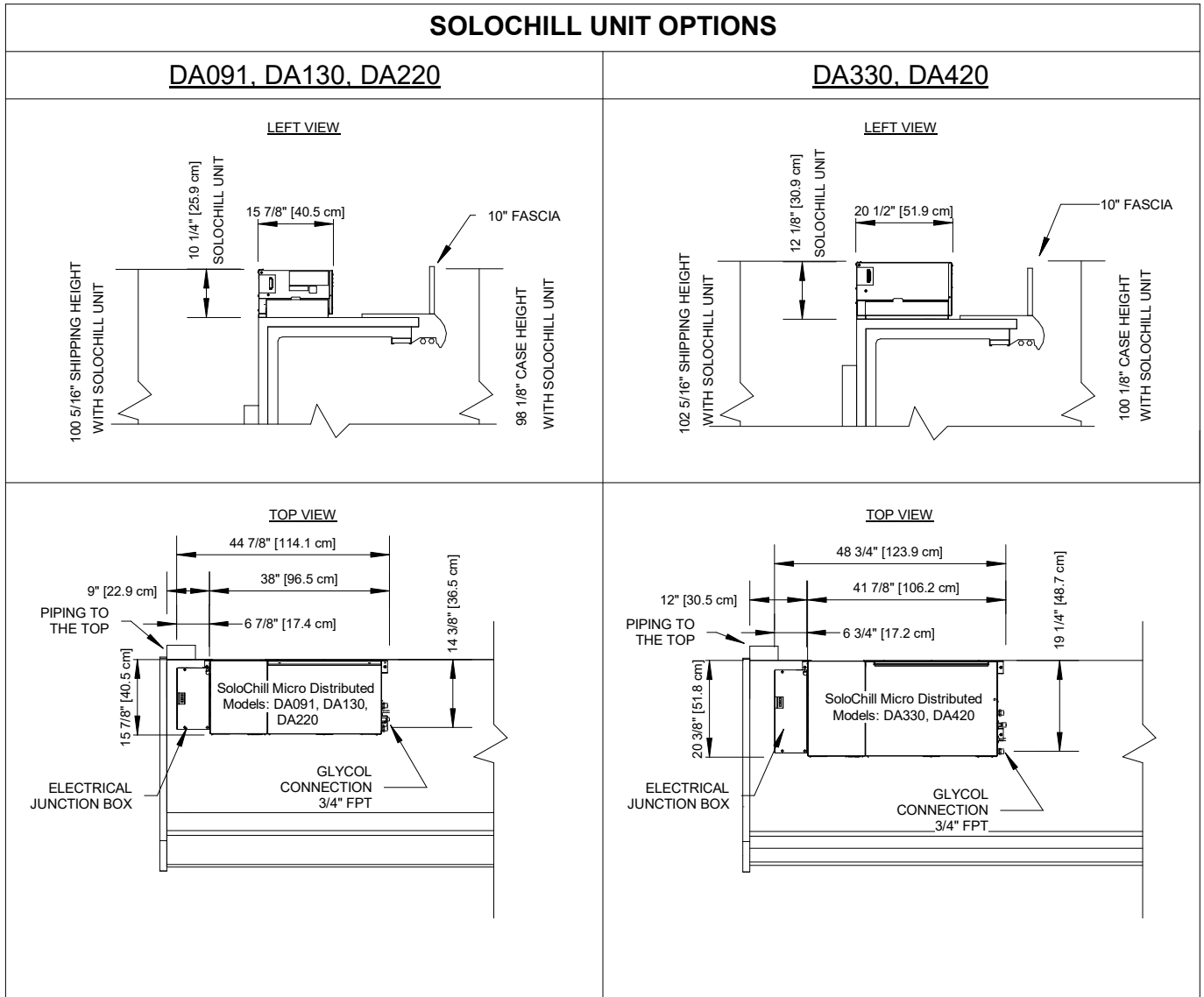
ALL MEASUREMENTS ARE TAKEN PER ASHRAE-72 SPECIFICATIONS. HILLPHOENIX REFRIGERATED DISPLAY CASES FOR SALE IN THE UNITED STATES MEET OR EXCEED DEPARTMENT OF ENERGY 2017 REQUIREMENTS.

Rev. Date	Rev. #	Rev. Title
12-07-21	7	OPTION PAGE UPDATE
10-21-20	6	SOLOCHILL V5

Hillphoenix
A DOVER COMPANY

6DMLHQA-NRG

4', 6', 8' & 12' High Multi-Deck Merchandiser with Synerg-E™
Beverage/Bulk Produce/Bakery/Dairy/Cut Produce/Deli



ALL MEASUREMENTS ARE TAKEN PER ASHRAE-72 SPECIFICATIONS. HILLPHOENIX REFRIGERATED DISPLAY CASES FOR SALE IN THE UNITED STATES MEET OR EXCEED DEPARTMENT OF ENERGY 2017 REQUIREMENTS.

6DMLHQA-NRG

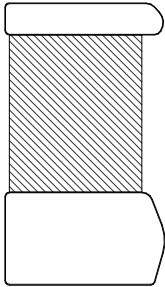
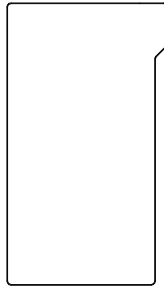
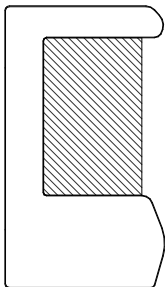
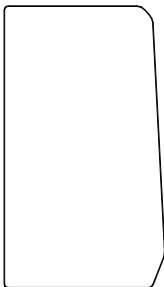
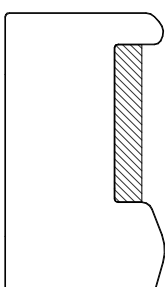
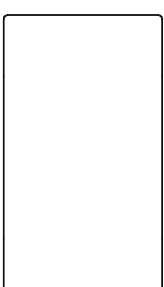
Rev. Date	Rev. #	Rev. Title
12-07-21	7	OPTION PAGE UPDATE
10-21-20	6	SOLOCHILL V5



A DOVER COMPANY

6DMLHQA-NRG

4', 6', 8' & 12' High Multi-Deck Merchandiser with Synerg-E™
Beverage/Bulk Produce/Bakery/Dairy/Cut Produce/Deli

END STYLE OFFERINGS	
<p><u>SUPER VIEW</u></p> 	<p><u>SOLID (EXTENDED CANOPY)</u></p> 
<p><u>FULL VIEW</u></p> 	<p><u>SOLID (STANDARD CANOPY)</u></p> 
<p><u>REDUCED VIEW</u></p> 	<p><u>SQUARE</u></p> 

NOTES:

- Ends shown are for general use only. Shape, size, and appearance are subject to change based on engineering configuration.
- Hatched regions represent glass inserts.
- Ends add approximately 1" to case height, 1/2" to the back & 1" to the front.
- Ends are available with either polymer end trim or metal end trim.



ALL MEASUREMENTS ARE TAKEN PER ASHRAE-72 SPECIFICATIONS. HILLPHOENIX REFRIGERATED DISPLAY CASES FOR SALE IN THE UNITED STATES MEET OR EXCEED DEPARTMENT OF ENERGY 2017 REQUIREMENTS.

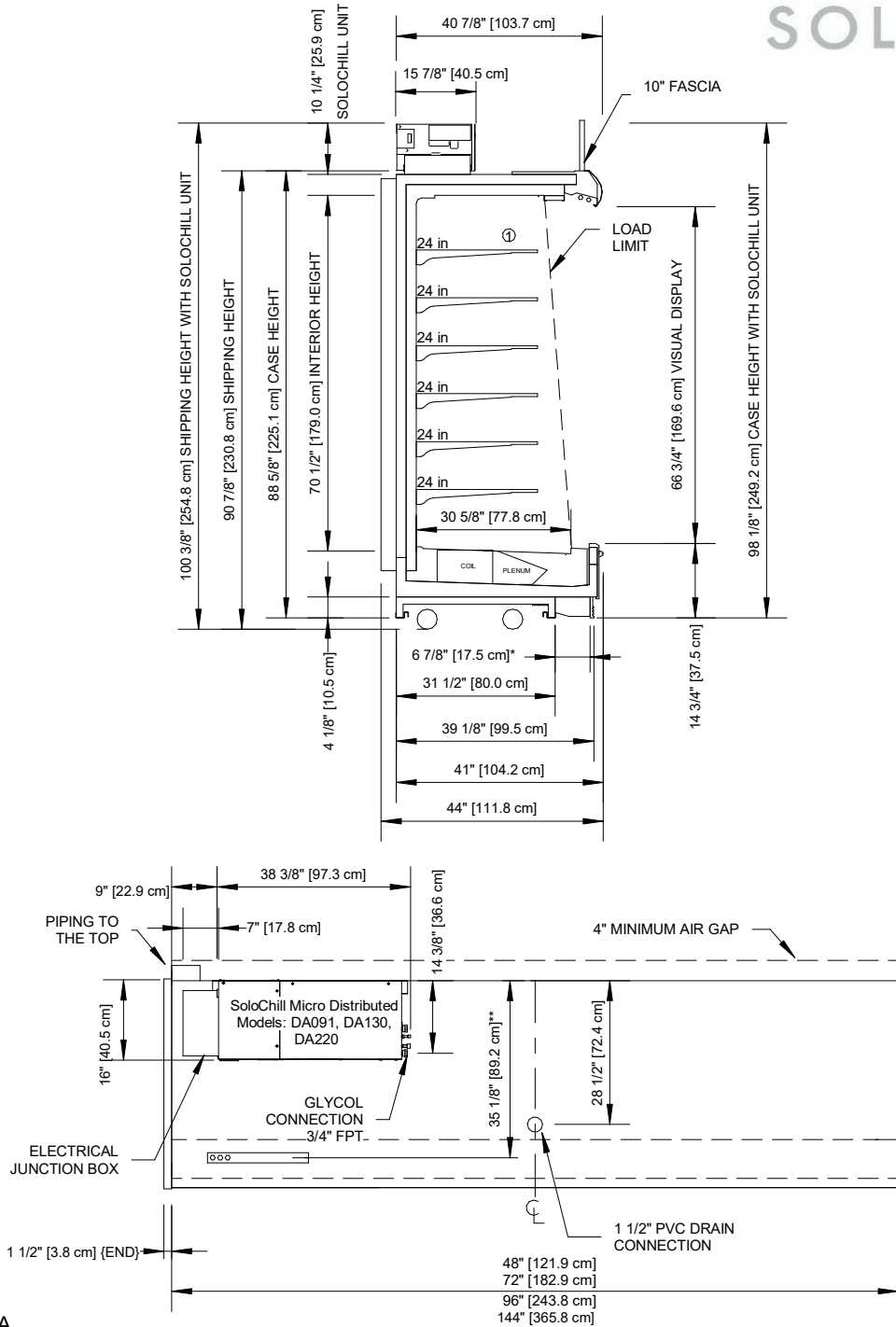
6DMLHQA-NRG

Rev. Date	Rev. #	Rev. Title
12-07-21	7	OPTION PAGE UPDATE
10-21-20	6	SOLOCHILL V5



6DMLHQA-NRG

4', 6', 8' & 12' High Multi-Deck Merchandiser with Synerg-E™
Beverage/Bulk Produce/Bakery/Dairy/Cut Produce/Deli



NOTES:

- * : STUB-UP AREA
- ** :RECOMMENDED STUP-UP CENTER LINE FOR ELECTRICAL AND HUB DRAINS
- ① :AVAILABLE SHELF SIZES: 18", 20", 22" & 24"; (6) ROWS OF SHELVES MAX

- End add approximately 1" to case height.
- Back panels add approximately 1" to the rear of the case.



6DMLHQA-NRG

ALL MEASUREMENTS ARE TAKEN PER ASHRAE-72 SPECIFICATIONS. HILLPHOENIX REFRIGERATED DISPLAY CASES FOR SALE IN THE UNITED STATES MEET OR EXCEED DEPARTMENT OF ENERGY 2017 REQUIREMENTS.

Rev. Date	Rev. #	Rev. Title
12-07-21	7	OPTION PAGE UPDATE
10-21-20	6	SOLOCHILL V5

