

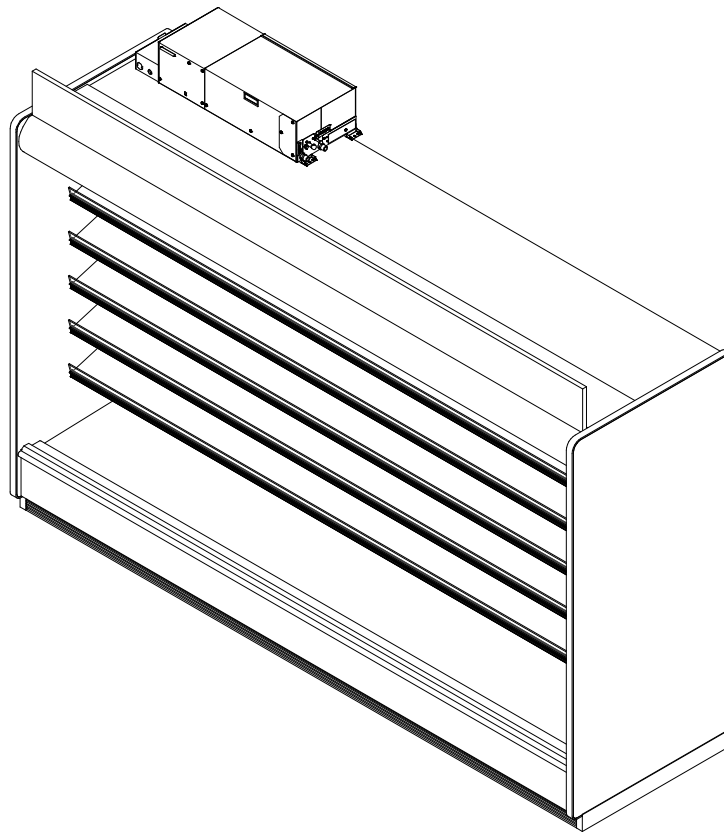
6MLHQA-NRG

4', 8', & 12' High Multi-Deck Merchandiser with Synerg-E™
Meat

SOLOCHILL
MICRO-DISTRIBUTED

GENERAL NOTES:

- "---" indicates that the feature is not an option for this case model and/or the data is not yet available.
- LED lights only.
- For optimal case performance in fresh meat (deli/meat) applications, Hillphoenix recommends that the merchandising depth in the bin area not exceed 4 inches.
- For optimal case performance, mirrors should be equally spaced between the adjacent mirrors and case ends.



SHIPPING WEIGHT	
Case	Weight
6MLHQA-NRG	---



ALL MEASUREMENTS ARE TAKEN PER ASHRAE-72-2005 SPECIFICATIONS. HILLPHOENIX REFRIGERATED DISPLAY CASES FOR SALE IN THE UNITED STATES MEET OR EXCEED DEPARTMENT OF ENERGY 2017 REQUIREMENTS.

6MLHQA-NRG

Rev. Date	Rev. #	Rev. Title
10-21-20	4	SOLOCHILL V5
8-3-20	3	FASCIA UPDATE

Hillphoenix
A DOVER COMPANY

6MLHQA-NRG

4', 8', & 12' High Multi-Deck Merchandiser with Synerg-E™
Meat



ELECTRICAL DATA			
Case Length	Fans Per Case	High Efficiency Fans	
		120 Volt	
		Amps	Watts
4'	2	0.80	62
8'	3	1.20	92
12'	4	1.60	123

LIGHTING DATA					
Case Length	Lights per row	Clearvoyant v4 LED Lighting (Per Light Row)			
		Standard Power (Cornice or Shelf)		High Power (Cornice Only)	
		120 Volts		120 Volts	
		Amps	Watts	Amps	Watts
4'	1	0.05	5.9	0.12	14.9
8'	2	0.10	11.8	0.25	29.9
12'	3	0.15	17.6	0.37	44.8

DEFROST CONTROLS			
Application	Defrosts Per Day	Timed-Off Defrost	
		Fail-Safe (Min)	Termination Temp (°F)
Deli/Meat/Seafood	8	45	48

NOTES:

- "---" indicates that the feature is not an option for this case model and/or the data is not yet available.
- Listed discharge air velocity represents the average velocity at the peak of defrost.
- Temperature and defrost settings listed above are recommended start-up settings. Final operational settings may need to be adjusted for the store conditions in which the case operates.



ALL MEASUREMENTS ARE TAKEN PER ASHRAE-72-2005 SPECIFICATIONS. HILLPHOENIX REFRIGERATED DISPLAY CASES FOR SALE IN THE UNITED STATES MEET OR EXCEED DEPARTMENT OF ENERGY 2017 REQUIREMENTS.

6MLHQA-NRG

Rev. Date	Rev. #	Rev. Title
10-21-20	4	SOLOCHILL V5
8-3-20	3	FASCIA UPDATE



A DOVER COMPANY

6MLHQA-NRG

4', 8', & 12' High Multi-Deck Merchandiser with Synerg-E™
Meat

SOLOCHILL
MICRO-DISTRIBUTED

SOLOCHILL DATA			@95° Condensing Temperature		
Volts	Phase	Frequency	Wire		
208	1	60	3 Wire + Ground		
Application		Case Length	Evaporator Temp (°F)	Discharge Air (°F)	Discharge Air Velocity (FPM)
Meat (14" Front)		4'	20	30	230
Meat (14" Front)		8'	20	30	230
Meat (14" Front)		12'	20	30	230
Meat (17" Front)		4'	20	30	230
Meat (17" Front)		8'	20	30	230
Meat (17" Front)		12'	20	30	230

Application	Case Length	R448A					
		Condensing Unit Model	MCA	MOP	Required Capacity	THR (BTUH)	Flow Rate
Meat (14" Front)	4'	DA220	18.0	20	8328	10385	3.0
Meat (14" Front)	8'	DA330	26.8	30	16656	21082	6.0
Meat (14" Front)	12'	LARGE LOAD	---	---	24984	24876	7.1
Meat (17" Front)	4'	DA220	18.0	20	7832	10385	3.0
Meat (17" Front)	8'	DA330	26.8	30	15664	21082	6.0
Meat (17" Front)	12'	LARGE LOAD	---	---	23496	24876	7.1



ALL MEASUREMENTS ARE TAKEN PER ASHRAE-72-2005 SPECIFICATIONS. HILLPHOENIX REFRIGERATED DISPLAY CASES FOR SALE IN THE UNITED STATES MEET OR EXCEED DEPARTMENT OF ENERGY 2017 REQUIREMENTS.

6MLHQA-NRG

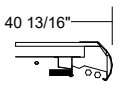
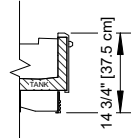

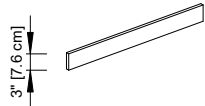
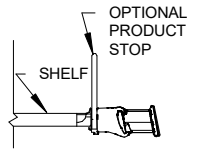
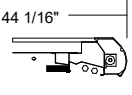
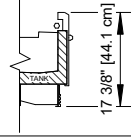

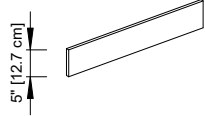
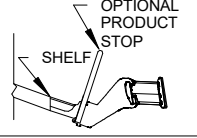
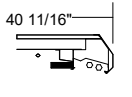
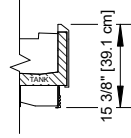

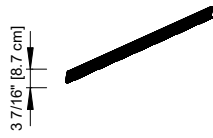
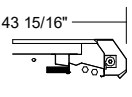
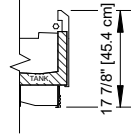

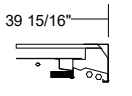
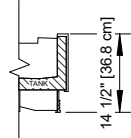
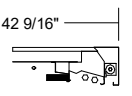
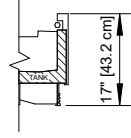
Rev. Date	Rev. #	Rev. Title
10-21-20	4	SOLOCHILL V5
8-3-20	3	FASCIA UPDATE

Hillphoenix
A DOVER COMPANY

6MLHQA-NRG

4', 8', & 12' High Multi-Deck Merchandiser with Synerg-E™ Meat

SOLOCHILL
MICRO-DISTRIBUTED

CORNICE OPTIONS	FRONT OPTIONS	SHELF TAG MOLDING OPTIONS	PRODUCT STOP OPTIONS (ONLY APPLICABLE ON SLOTTED TM)	SHELF EDGE ENERGY SAVINGS
<p><u>CURVED CORNICE</u></p> 	<p><u>CLASSIC 2 STANDARD FRONT</u></p> 	<p><u>1.25" STD</u></p> 	<p><u>3" PLEXI PRODUCT STOPS</u></p> 	<p><u>ECO BLADE FLAT SHELF</u></p> 
<p><u>CURVED CORNICE WITH NIGHT COVER</u></p> 	<p><u>CLASSIC 2 17" FRONT W/ & W/O NOSE LIGHT</u></p> 	<p><u>SLOTTED</u></p> 	<p><u>5" PLEXI PRODUCT STOPS</u></p> 	<p><u>ECO BLADE ANGLED SHELF</u></p> 
<p><u>FACETED CORNICE</u></p> 	<p><u>ANGLED FRONT</u></p> 	<p><u>ANGLED</u></p> 	<p><u>WIRE FENCE PRODUCT STOPS</u></p> 	
<p><u>FACETED CORNICE WITH NIGHT COVER</u></p> 	<p><u>ANGLED FRONT W/ & W/O NOSE LIGHT</u></p> 	<p><u>ANGLED SLOTTED</u></p> 		
<p><u>FLAT CORNICE</u></p> 	<p><u>FLAT FRONT</u></p> 			
<p><u>FLAT CORNICE WITH NIGHT COVER</u></p> 	<p><u>17" FLAT FRONT W/ & W/O NOSE LIGHT</u></p> 			

NOTES:

- Tag molding materials are PVC, aluminum, or painted aluminum.
- See Ecoblade tech sheet for additional information.

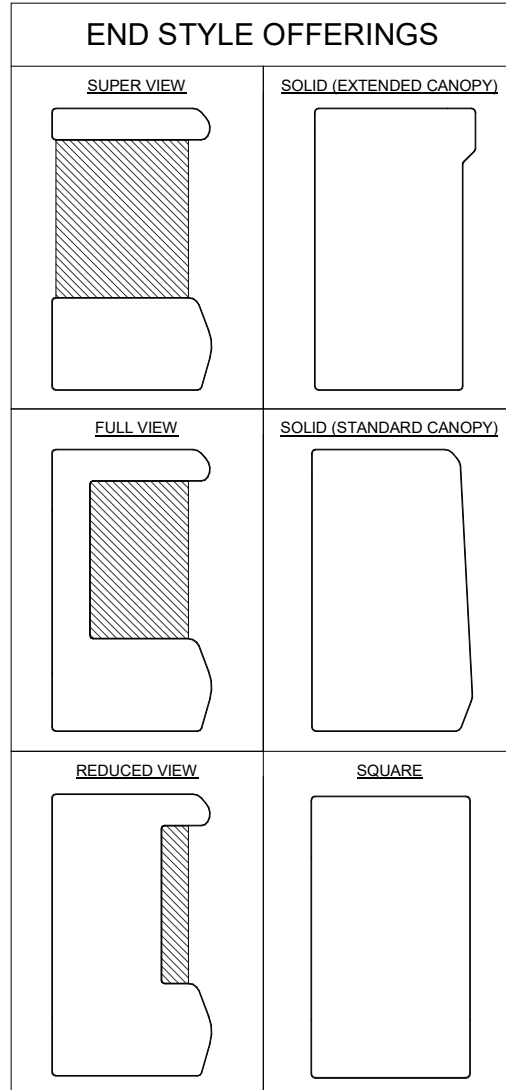


6MLHQA-NRG

ALL MEASUREMENTS ARE TAKEN PER ASHRAE-72-2005 SPECIFICATIONS. HILLPHOENIX REFRIGERATED DISPLAY CASES FOR SALE IN THE UNITED STATES MEET OR EXCEED DEPARTMENT OF ENERGY 2017 REQUIREMENTS.

Rev. Date	Rev. #	Rev. Title
10-21-20	4	SOLOCHILL V5
8-3-20	3	FASCIA UPDATE

Hillphoenix
A DOVER COMPANY



NOTES:

- Ends shown are for general use only. Shape, size, and appearance are subject to change based on engineering configuration.
- Hatched regions represent glass inserts.
- Ends add approximately 1" to case height, 1/2" to the back & 1" to the front.
- Ends are available with either polymer end trim or metal end trim.



ALL MEASUREMENTS ARE TAKEN PER ASHRAE-72-2005 SPECIFICATIONS. HILLPHOENIX REFRIGERATED DISPLAY CASES FOR SALE IN THE UNITED STATES MEET OR EXCEED DEPARTMENT OF ENERGY 2017 REQUIREMENTS.

6MLHQA-NRG

Rev. Date	Rev. #	Rev. Title
10-21-20	4	SOLOCHILL V5
8-3-20	3	FASCIA UPDATE

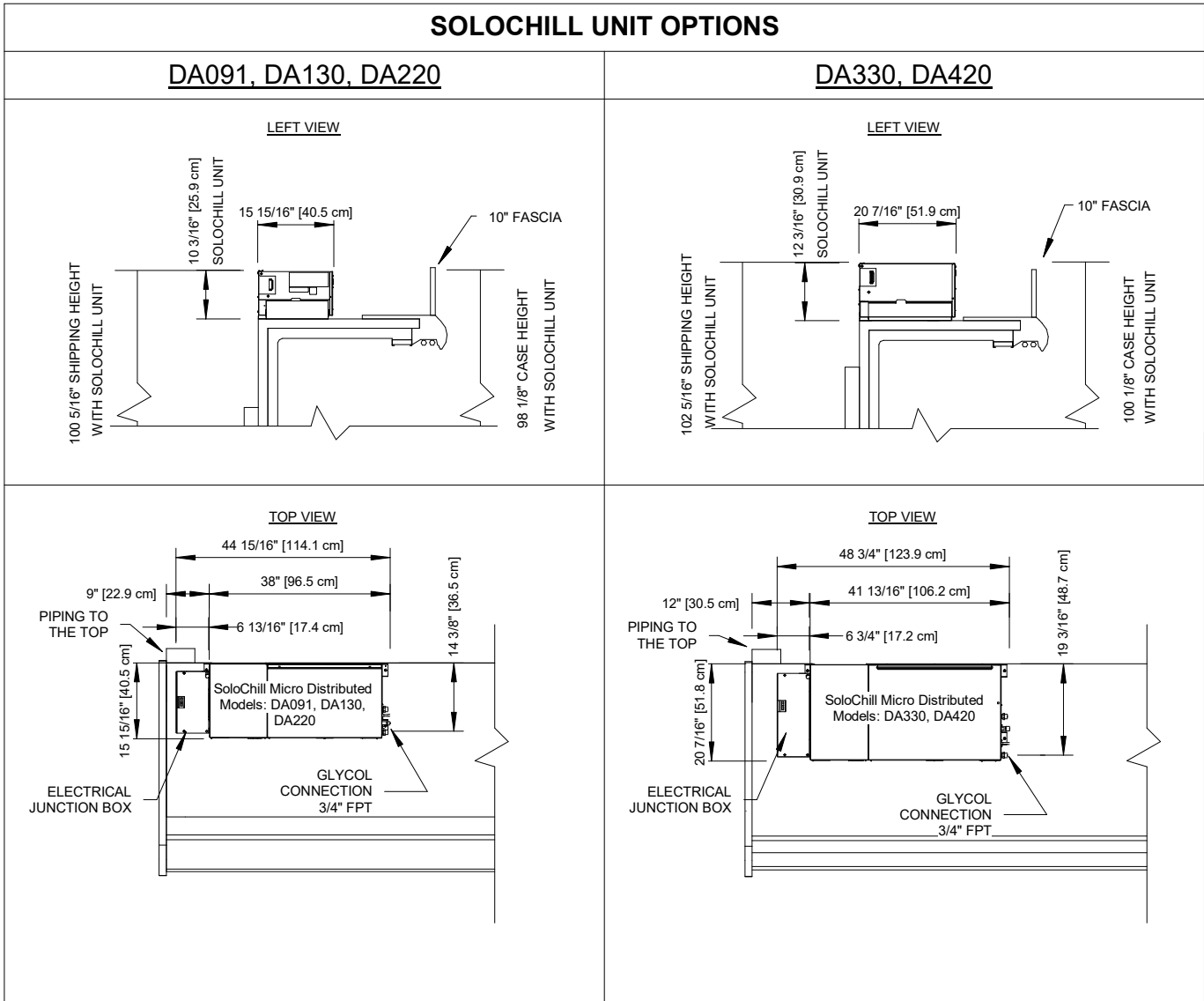


6MLHQA-NRG

4', 8', & 12' High Multi-Deck Merchandiser with Synerg-E™ Meat



SOLOCHILL UNIT OPTIONS



ALL MEASUREMENTS ARE TAKEN PER ASHRAE-72-2005 SPECIFICATIONS. HILLPHOENIX REFRIGERATED DISPLAY CASES FOR SALE IN THE UNITED STATES MEET OR EXCEED DEPARTMENT OF ENERGY 2017 REQUIREMENTS.

6MLHQA-NRG

Rev. Date	Rev. #	Rev. Title
10-21-20	4	SOLOCHILL V5
8-3-20	3	FASCIA UPDATE

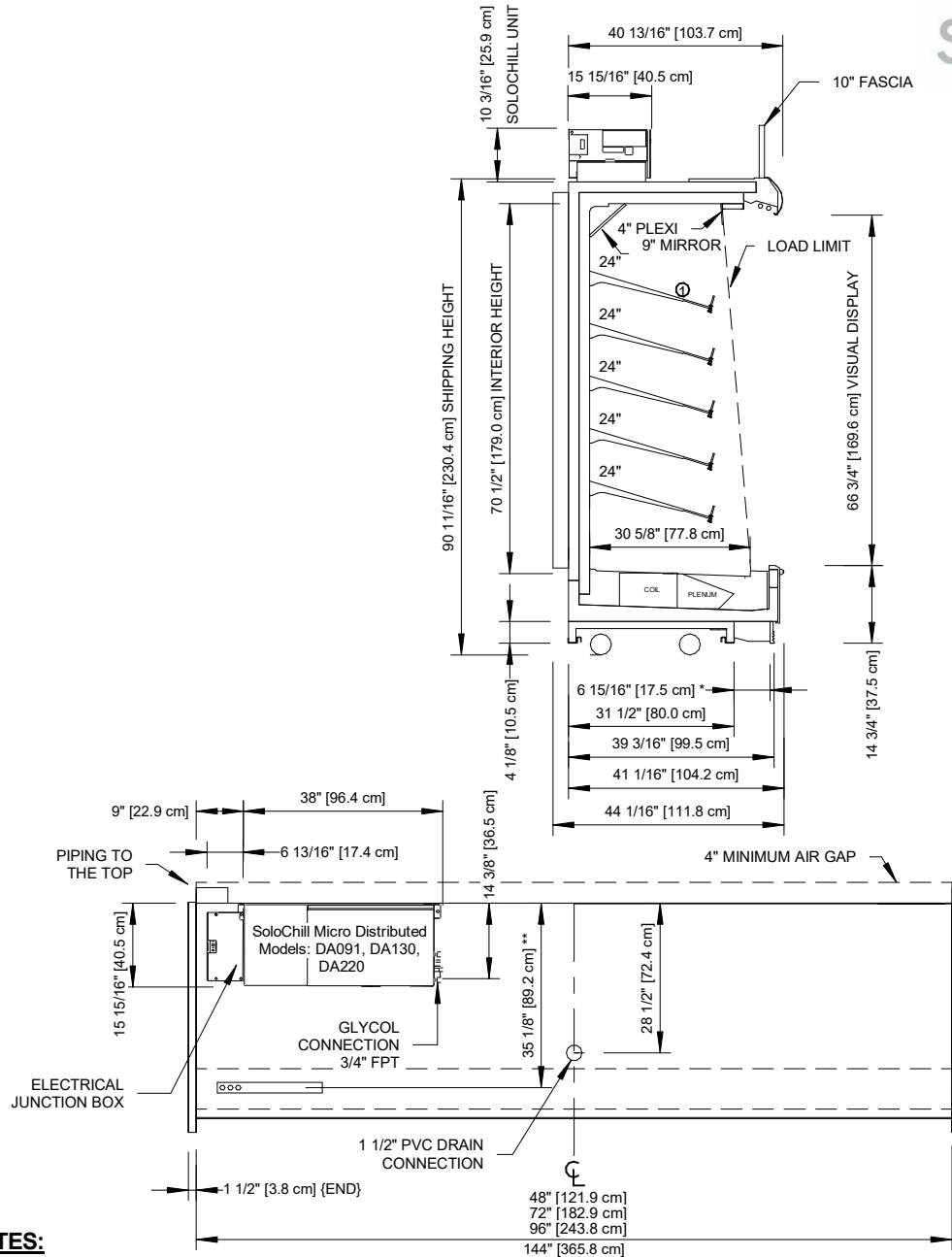


A DOVER COMPANY

6MLHQA-NRG

4', 8', & 12' High Multi-Deck Merchandiser with Synerg-E™ Meat

SOLOCHILL
MICRO-DISTRIBUTED



NOTES:

* : STUP-UP AREA

** : RECOMMENDED STUP-UP CENTERLINE FOR ELECTRICAL AND HUB DRAINS

Ⓢ : AVAILABLE SHELF SIZES: 16", 18", 20", 22" & 24" (14" only available with cascade arrangement); (6) ROWS OF SHELVES MAX

- Ends add approximately 1" to case height.
- Back panels add approximately 1" to the rear of the case.
- 4" plexiglass is required behind the honeycomb.
- The minimum shelf size in a cascade arrangement is 14".
- The minimum shelf size is 16" when all of the shelves are of equal size.
- Contact factory for available mirror sizes.



6MLHQA-NRG

ALL MEASUREMENTS ARE TAKEN PER ASHRAE-72-2005 SPECIFICATIONS. HILLPHOENIX REFRIGERATED DISPLAY CASES FOR SALE IN THE UNITED STATES MEET OR EXCEED DEPARTMENT OF ENERGY 2017 REQUIREMENTS.

Rev. Date	Rev. #	Rev. Title
10-21-20	4	SOLOCHILL V5
8-3-20	3	FASCIA UPDATE

Hillphoenix
A DOVER COMPANY