

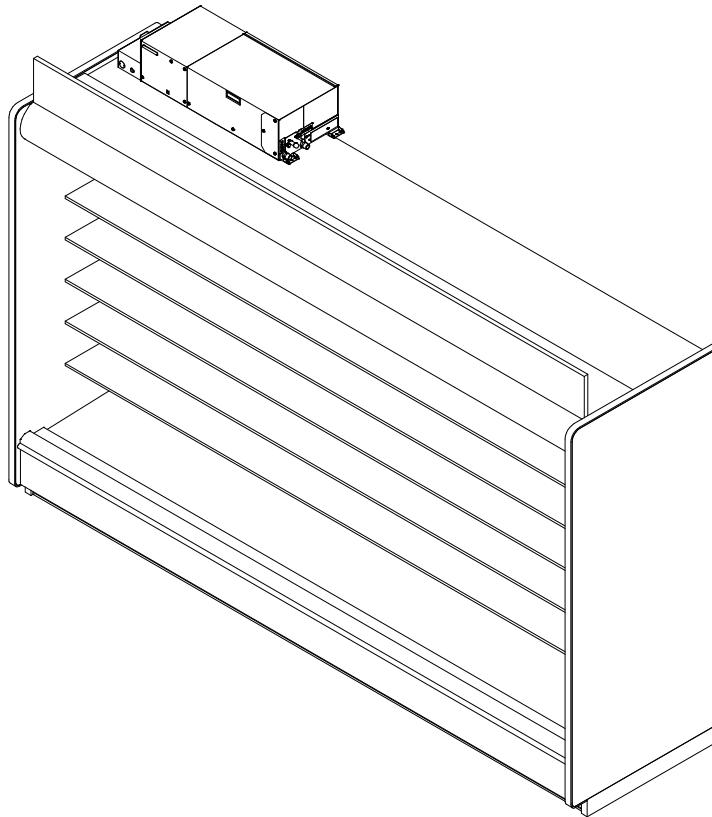
6NDMLHQA-NRG

8' & 12' Narrow Multi-Deck Merchandiser with Synerg-E™
Beverage / Bulk Produce / Bakery / Dairy / Cut Produce / Deli

SOLOCHILL
MICRO-DISTRIBUTED

GENERAL NOTES:

- "-" indicates that the feature is not available for this case model and/or the data is not available yet.
- LED lights only.



SHIPPING WEIGHT	
Case	Weight
6NDMLHQA-NRG	---



COMPONENT
ALL MEASUREMENTS ARE TAKEN PER ASHRAE-72-2005 SPECIFICATIONS. HILLPHOENIX REFRIGERATED DISPLAY CASES FOR SALE IN THE UNITED STATES MEET OR EXCEED DEPARTMENT OF ENERGY 2017 REQUIREMENTS.

6NDMLHQA-NRG

Rev. Date	Rev. #	Rev. Title
10-21-20	5	SOLOCHILL V5
8-3-20	4	SHELF UPDATE

Hillphoenix
A DOVER COMPANY

6NDMLHQA-NRG

8' & 12' Narrow Multi-Deck Merchandiser with Synerg-E™
Beverage / Bulk Produce / Bakery / Dairy / Cut Produce / Deli



ELECTRICAL DATA			
Case Length	Fans Per Case	High Efficiency Fans	
		120 Volt	
		Amps	Watts
8'	3	0.57	65.0
12'	4	0.76	87.0

LIGHTING DATA					
Case Length	Lights per row	Clearvoyant v4 LED Lighting (Per Light Row)			
		Standard Power (Cornice or Shelf)		High Power (Cornice Only)	
		120 Volts		120 Volts	
		Amps	Watts	Amps	Watts
8'	2	0.10	11.8	0.25	29.9
12'	3	0.15	17.6	0.37	44.8

DEFROST CONTROLS			
Application	Defrosts Per Day	Timed-Off Defrost	
		Fail-Safe (Min)	Termination Temp (F)
Bakery/Dairy/Deli/Cut Produce	6	40	47
Beverage/Bulk Produce	2	30	47

NOTES:

- "- - -" indicates that the feature is not available for this case model and/or the data is not available yet.
- Listed discharge air velocity represents the average velocity immediately after defrost.
- Temperature and defrost settings listed below are recommended start-up settings. Final operational settings may need to be adjusted for the store conditions in which the case operates.



ALL MEASUREMENTS ARE TAKEN PER ASHRAE-72-2005 SPECIFICATIONS. HILLPHOENIX REFRIGERATED DISPLAY CASES FOR SALE IN THE UNITED STATES MEET OR EXCEED DEPARTMENT OF ENERGY 2017 REQUIREMENTS.

6NDMLHQA-NRG

Rev. Date	Rev. #	Rev. Title
10-21-20	5	SOLOCHILL V5
8-3-20	4	SHELF UPDATE



A DOVER COMPANY

6NDMLHQA-NRG

8' & 12' Narrow Multi-Deck Merchandiser with Synerg-E™
Beverage / Bulk Produce / Bakery / Dairy / Cut Produce / Deli



SOLOCHILL DATA			@95° Condensing Temperature		
Volts	Phase	Frequency	Wire		
208	1	60	3 Wire + Ground		
Application		Case Length	Evaporator Temp (°F)	Discharge Air (°F)	Discharge Air Velocity (FPM)
BEVERAGE/BULK PRODUCE		8'	32	37	260
BEVERAGE/BULK PRODUCE		12'	32	37	260
BAKERY/DAIRY/DELI/CUT PRODUCE		8'	26	31	260
BAKERY/DAIRY/DELI/CUT PRODUCE		12'	26	31	260

Application	Case Length	R448A					
		Condensing Unit Model	MCA	MOP	Required Capacity	THR (BTUH)	Flow Rate
BEVERAGE/BULK PRODUCE	8'	DA330	26.2	30	15312	18666	5.3
BEVERAGE/BULK PRODUCE	12'	DA420	37.2	40	22968	27835	8.0
BAKERY/DAIRY/DELI/CUT PRODUCE	8'	DA330	26.2	30	15328	19080	5.5
BAKERY/DAIRY/DELI/CUT PRODUCE	12'	DA420	37.2	40	22992	28348	8.1



ALL MEASUREMENTS ARE TAKEN PER ASHRAE-72-2005 SPECIFICATIONS. HILLPHOENIX REFRIGERATED DISPLAY CASES FOR SALE IN THE UNITED STATES MEET OR EXCEED DEPARTMENT OF ENERGY 2017 REQUIREMENTS.

6NDMLHQA-NRG

Rev. Date	Rev. #	Rev. Title
10-21-20	5	SOLOCHILL V5
8-3-20	4	SHELF UPDATE

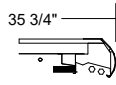
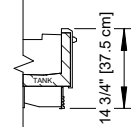
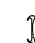
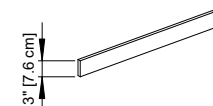
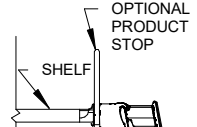
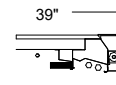
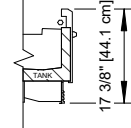

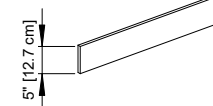
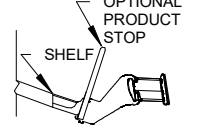
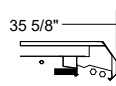
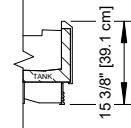

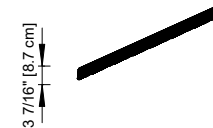
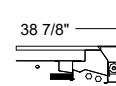
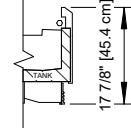
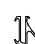
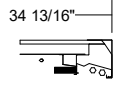
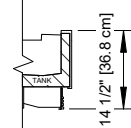
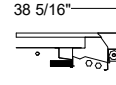
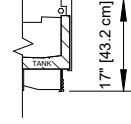


A DOVER COMPANY

6NDMLHQA-NRG

8' & 12' Narrow Multi-Deck Merchandiser with Synerg-E™
Beverage / Bulk Produce / Bakery / Dairy / Cut Produce / Deli

SOLOCHILL
MICRO-DISTRIBUTED

CORNICE OPTIONS	FRONT OPTIONS	SHELF TAG MOLDING OPTIONS	PRODUCT STOP OPTIONS (ONLY APPLICABLE ON SLOTTED TM)	SHELF EDGE ENERGY SAVINGS
<u>CURVED CORNICE</u> 	<u>CLASSIC 2 STANDARD FRONT</u> 	<u>1.25" STD</u> 	<u>3" PLEXI PRODUCT STOPS</u> 	<u>ECO BLADE FLAT SHELF</u> 
<u>CURVED CORNICE WITH NIGHT COVER</u> 	<u>CLASSIC 2 17" FRONT W/ & W/O NOSE LIGHT</u> 	<u>SLOTTED</u> 	<u>5" PLEXI PRODUCT STOPS</u> 	<u>ECO BLADE ANGLED SHELF</u> 
<u>FACETED CORNICE</u> 	<u>ANGLED FRONT</u> 	<u>ANGLED</u> 	<u>WIRE FENCE PRODUCT STOPS</u> 	
<u>FACETED CORNICE WITH NIGHT COVER</u> 	<u>ANGLED FRONT W/ & W/O NOSE LIGHT</u> 	<u>ANGLED SLOTTED</u> 		
<u>FLAT CORNICE</u> 	<u>FLAT FRONT</u> 			
<u>FLAT CORNICE WITH NIGHT COVER</u> 	<u>17" FLAT FRONT W/ & W/O NOSE LIGHT</u> 			

NOTES:

- Tag molding materials are PVC, aluminum, or painted aluminum.
- See Ecoblade tech sheet for additional information.



COMPONENT

ALL MEASUREMENTS ARE TAKEN PER ASHRAE-72-2005 SPECIFICATIONS. HILLPHOENIX REFRIGERATED DISPLAY CASES FOR SALE IN THE UNITED STATES MEET OR EXCEED DEPARTMENT OF ENERGY 2017 REQUIREMENTS.

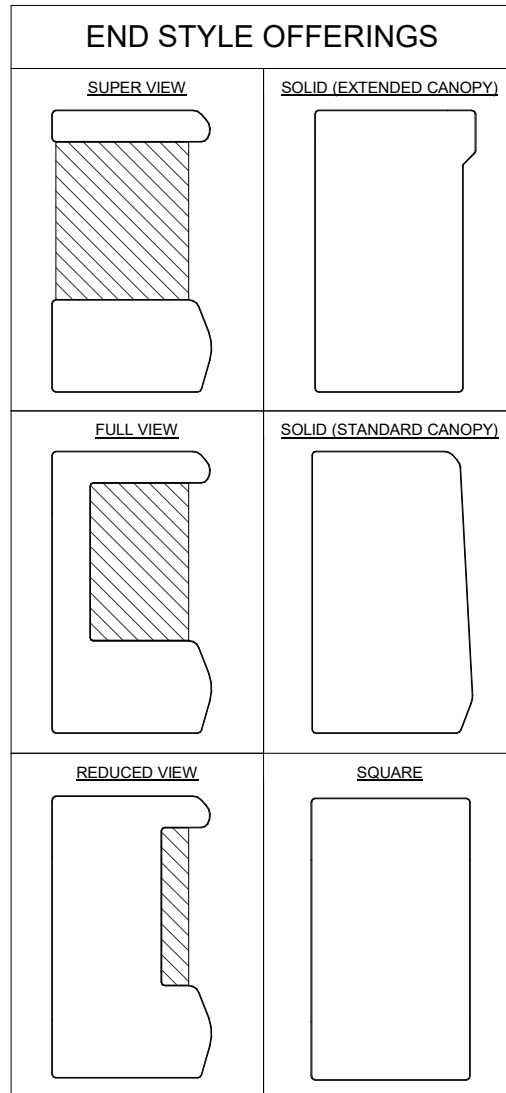
6NDMLHQA-NRG

Rev. Date	Rev. #	Rev. Title
10-21-20	5	SOLOCHILL V5
8-3-20	4	SHELF UPDATE

Hillphoenix
A DOVER COMPANY

6NDMLHQA-NRG

8' & 12' Narrow Multi-Deck Merchandiser with Synerg-E™
Beverage / Bulk Produce / Bakery / Dairy / Cut Produce / Deli



NOTES:

- Ends shown are for general use only. Shape, size, and appearance are subject to change based on engineering configuration.
- Hatched regions represent glass inserts.
- Ends add approximately 1" to case height, 1/2" to the back & 1" to the front.
- Ends are available with either polymer end trim or metal end trim.



ALL MEASUREMENTS ARE TAKEN PER ASHRAE-72-2005 SPECIFICATIONS. HILLPHOENIX REFRIGERATED DISPLAY CASES FOR SALE IN THE UNITED STATES MEET OR EXCEED DEPARTMENT OF ENERGY 2017 REQUIREMENTS.

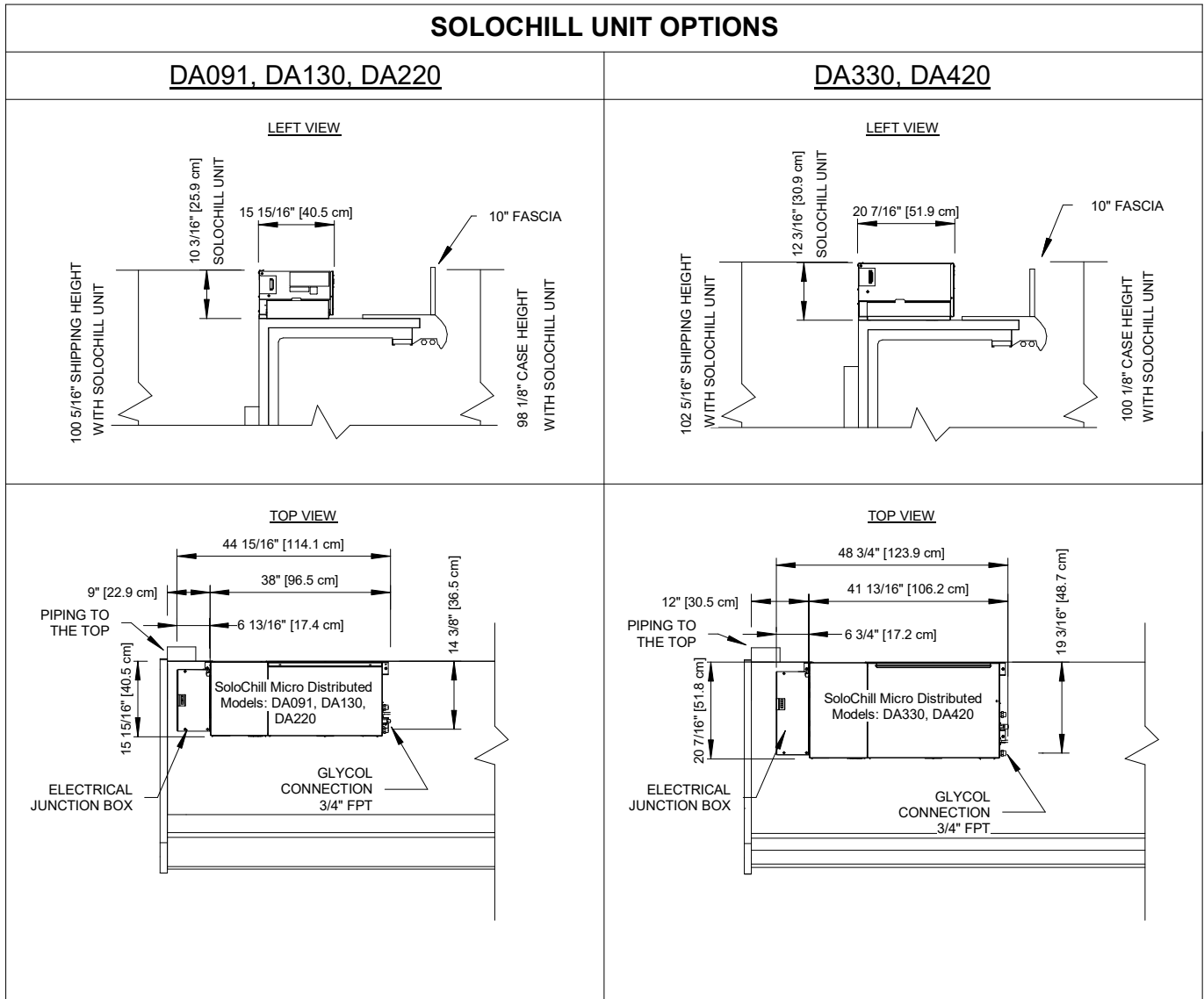
6NDMLHQA-NRG

Rev. Date	Rev. #	Rev. Title
10-21-20	5	SOLOCHILL V5
8-3-20	4	SHELF UPDATE



6NDMLHQA-NRG

8' & 12' Narrow Multi-Deck Merchandiser with Synerg-E™
Beverage / Bulk Produce / Bakery / Dairy / Cut Produce / Deli



ALL MEASUREMENTS ARE TAKEN PER ASHRAE-72-2005 SPECIFICATIONS. HILLPHOENIX REFRIGERATED DISPLAY CASES FOR SALE IN THE UNITED STATES MEET OR EXCEED DEPARTMENT OF ENERGY 2017 REQUIREMENTS.

6NDMLHQA-NRG

Rev. Date	Rev. #	Rev. Title
10-21-20	5	SOLOCHILL V5
8-3-20	4	SHELF UPDATE

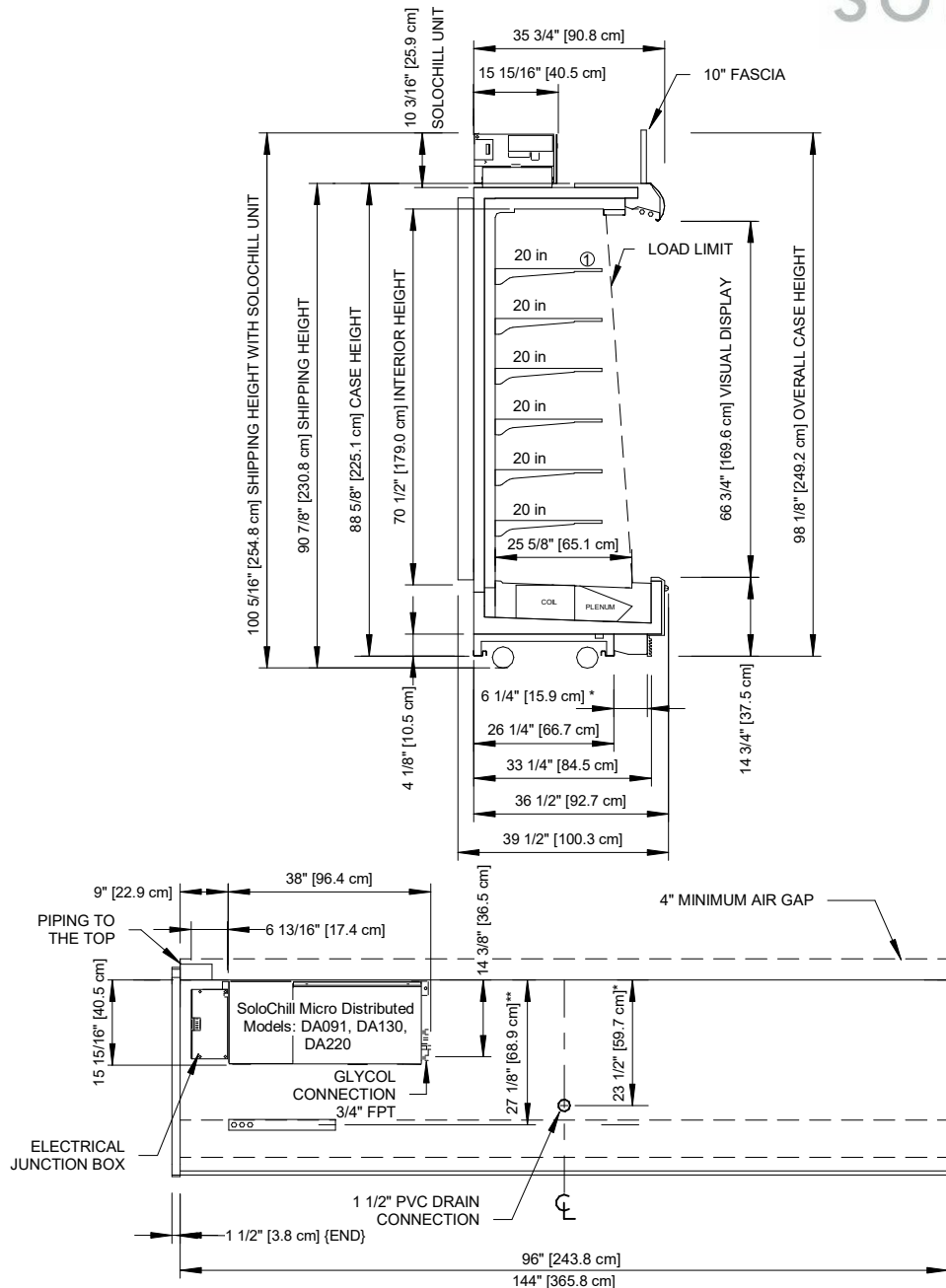


A DOVER COMPANY

6NDMLHQA-NRG

8' & 12' Narrow Multi-Deck Merchandiser with Synerg-E™
Beverage / Bulk Produce / Bakery / Dairy / Cut Produce / Deli

SOLOCHILL
MICRO-DISTRIBUTED



NOTES:

- * : STUB-UP AREA
- ** : RECOMMENDED STUP-UP CENTERLINE FOR ELECTRICAL AND HUB DRAINS
- ① : AVAILABLE SHELF SIZES: 10", 12", 14", 16", 18", 20", 22" ; (6) ROWS OF SHELVES MAX

- Ends add approximately 1" to case height.
- Back panels add approximately 1" to the rear of the case.



6NDMLHQA-NRG

ALL MEASUREMENTS ARE TAKEN PER ASHRAE-72-2005 SPECIFICATIONS. HILLPHOENIX REFRIGERATED DISPLAY CASES FOR SALE IN THE UNITED STATES MEET OR EXCEED DEPARTMENT OF ENERGY 2017 REQUIREMENTS.

Rev. Date	Rev. #	Rev. Title
10-21-20	5	SOLOCHILL V5
8-3-20	4	SHELF UPDATE

Hillphoenix
A DOVER COMPANY