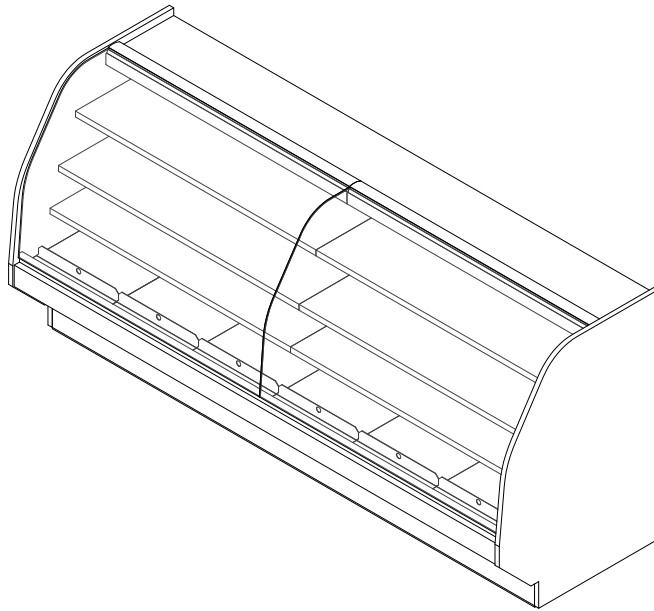


# BLF-D

Service Multi-Deck Merchandiser w/ Lift Glass  
48", 59", 77", 96", 113" & 144" (Bakery)

## GENERAL NOTES:

- "---" Indicates that the feature is not an option on this case model and/or the data is not yet available at this time.



SHIPPING WEIGHT	
Case	Weight
BLF-D	---



ENGINEERED FOR STORES WITH AMBIENT CONDITIONS NOT TO EXCEED 75° AND 55% RELATIVE HUMIDITY. DUE TO ENGINEERING IMPROVEMENTS SPECIFICATIONS MAY CHANGE WITHOUT NOTICE. ALL MEASUREMENTS ARE TAKEN PER ASHRAE-72 SPECIFICATIONS. NUMBERS ARE BASED ON STANDARD CASE SIZES. CONSULT ENGINEERING.

## BLF-D

Rev. Date	Rev. #	Rev. Title
03-15-22	5	DATA UPDATE
03-11-21	4	LOGO UPDATE

Clearvoyant™  
LED SYSTEM

**Hillphoenix**  
a **DOVER** company

LIGHTING DATA						
Case Length	Lights Per Row	Light Length	Clearvoyant 4 LED Lighting (Per Light Row)			
			Standard Power (Cornice or Shelf)		High Power (Cornice)	
			120 Volts		120 Volts	
			Amps	Watts	Amps	Watts
48"	1	4'	0.05	5.9	0.12	14.9
59"	1	4'	0.05	5.9	0.12	14.9
77"	2	3'	0.08	9.4	0.20	23.8
96"	2	4'	0.10	11.8	0.24	29.8
113"	2	4'	0.10	11.8	0.24	29.8
144"	3	4'	0.15	17.7	0.36	44.7



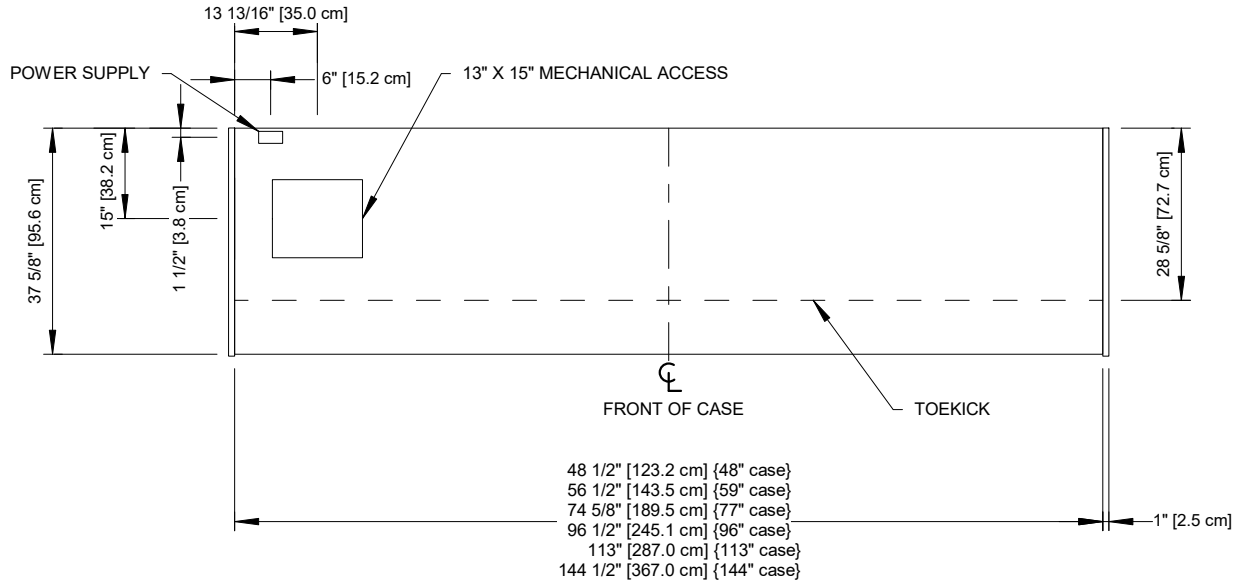
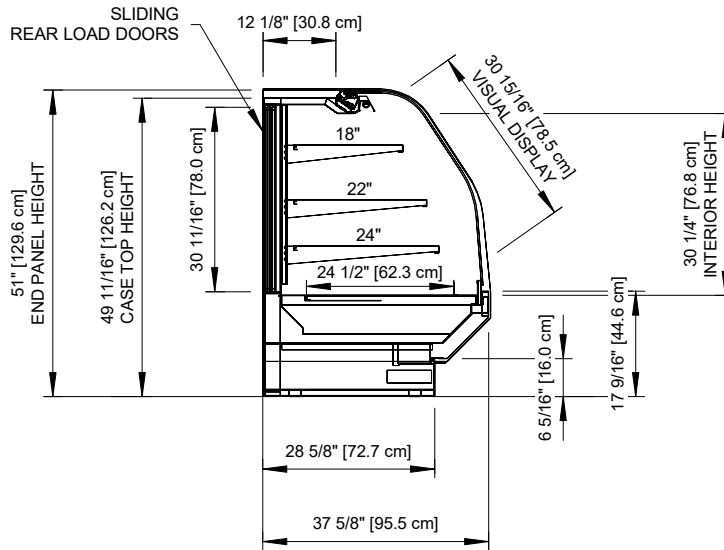
ENGINEERED FOR STORES WITH AMBIENT CONDITIONS NOT TO EXCEED 75° AND 55% RELATIVE HUMIDITY. DUE TO ENGINEERING IMPROVEMENTS SPECIFICATIONS MAY CHANGE WITHOUT NOTICE. ALL MEASUREMENTS ARE TAKEN PER ASHRAE-72 SPECIFICATIONS. NUMBERS ARE BASED ON STANDARD CASE SIZES. CONSULT ENGINEERING.

## BLF-D

Rev. Date	Rev. #	Rev. Title
03-15-22	5	DATA UPDATE
03-11-21	4	LOGO UPDATE

# BLF-D

Service Multi-Deck w/ Lift Glass  
48", 59", 77", 96", 113" & 144" (Bakery)



ENGINEERED FOR STORES WITH AMBIENT CONDITIONS NOT TO EXCEED 75° AND 55% RELATIVE HUMIDITY. DUE TO ENGINEERING IMPROVEMENTS SPECIFICATIONS MAY CHANGE WITHOUT NOTICE. ALL MEASUREMENTS ARE TAKEN PER ASHRAE-72 SPECIFICATIONS. NUMBERS ARE BASED ON STANDARD CASE SIZES. CONSULT ENGINEERING.

## BLF-D

Rev. Date	Rev. #	Rev. Title
03-15-22	5	DATA UPDATE
03-11-21	4	LOGO UPDATE

