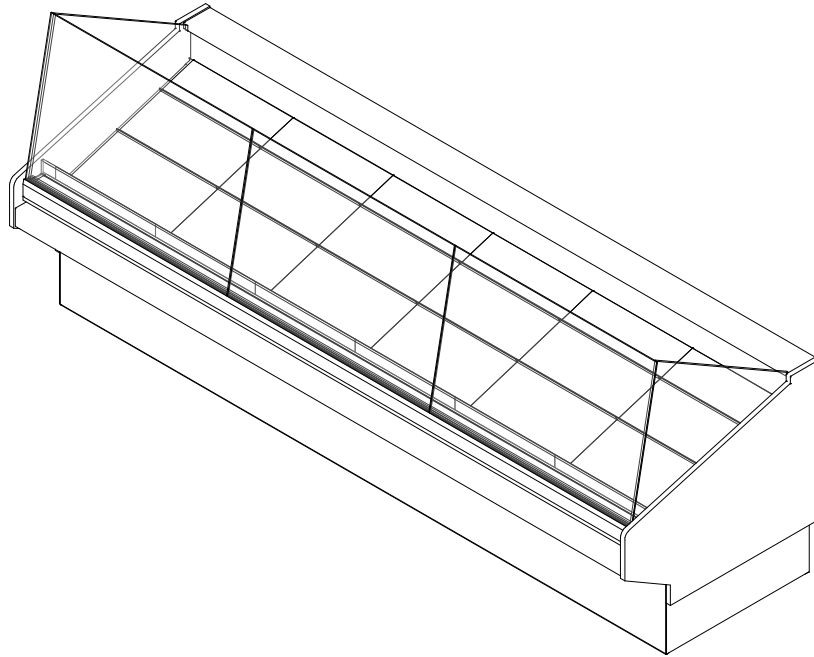


GENERAL NOTES:

- "---" Indicates that the feature is not an option on this case model and/or the data is not yet available at this time.
- 15 15/16" toekick height with 43" profile (optional)



SHIPPING WEIGHT	
Case	Weight
BSD-SW-R	---



ENGINEERED FOR STORES WITH AMBIENT CONDITIONS NOT TO EXCEED 75° AND 55% RELATIVE HUMIDITY. DUE TO ENGINEERING IMPROVEMENTS SPECIFICATIONS MAY CHANGE WITHOUT NOTICE. ALL MEASUREMENTS ARE TAKEN PER ASHRAE-72 SPECIFICATIONS. HILLPHOENIX REFRIGERATED DISPLAY CASES FOR SALE IN THE UNITED STATES MEET OR EXCEED DEPARTMENT OF ENERGY 2017 REQUIREMENTS. NUMBERS ARE BASED ON STANDARD CASE SIZES. CONSULT ENGINEERING.

BSD-SW-R

Rev. Date	Rev. #	Rev. Title
10-25-23	5	ENDVIEW UPDATE
03-10-22	4	DATA UPDATE



ELECTRICAL DATA									
Case Length	Fans Per Case	High Efficiency Fans		Anti-Condensate Fans		Drain Heaters		Optional Defrost Heaters	
		120 Volts		120 Volts		120 Volts		208 Volts	
		Amps	Watts	Amps	Watts	Amps	Watts	Amps	Watts
4'	1	0.30	36	---	---	---	---	---	---
6'	2	0.60	72	---	---	---	---	---	---
8'	2	0.60	72	---	---	---	---	---	---
10'	3	0.90	108	---	---	---	---	---	---
12'	4/*3	1.20/0.90	144/108	---	---	---	---	---	---

LIGHTING DATA						
Case Length	Lights Per Row	Light Length	Clearvoyant 4 LED Lighting (Per Light Row)			
			Standard Power (Cornice or Shelf)		High Power (Cornice)	
			120 Volts		120 Volts	
			Amps	Watts	Amps	Watts
4'	---	---	---	---	---	---
6'	---	---	---	---	---	---
8'	---	---	---	---	---	---
10'	---	---	---	---	---	---
12'	---	---	---	---	---	---

GUIDELINES AND CONTROL SETTINGS (DX) {DIRECT EXPANSION HFC/CO2}						
	BTUH/ft		Superheat Set Point @ Bulb (°F)	Evaporator (°F)	Discharge Air (°F)	Discharge Air Velocity (FPM)
	Conventional	Parallel				
DX (Ice)	135	123	10	24	29	115

GUIDELINES AND CONTROL SETTINGS (GLYCOL) {DIRECT EXPANSION HFC/CO2}				
BTUH/ft	Glycol		Flow Rate (GPM/ft)	Coil Volume (gal)
	Supply Temp (°F)			
	20°	25°		
135	---	---	0.0675	0.26

- NOTES:**
- "----" Indicates that the feature is not an option on this case model and/or the data is not yet available at this time.
 - Listed discharge air velocity represents the average velocity at the peak of defrost.
 - Glycol supply of 20°F is for a propylene glycol mixture of 35% concentration by weight.
 - Glycol supply of 25°F is for a propylene glycol mixture of 30% concentration by weight.
 - * Fans required in an inlet/outlet case design.
 - ** Time-off duration for defrost with no termination control.
 - Discharge air temperature values represent readings taken within the upper air channel immediately behind/upstream of the honeycomb.



ENGINEERED FOR STORES WITH AMBIENT CONDITIONS NOT TO EXCEED 75° AND 55% RELATIVE HUMIDITY. DUE TO ENGINEERING IMPROVEMENTS SPECIFICATIONS MAY CHANGE WITHOUT NOTICE. ALL MEASUREMENTS ARE TAKEN PER ASHRAE-72 SPECIFICATIONS. HILLPHOENIX REFRIGERATED DISPLAY CASES FOR SALE IN THE UNITED STATES MEET OR EXCEED DEPARTMENT OF ENERGY 2017 REQUIREMENTS. NUMBERS ARE BASED ON STANDARD CASE SIZES. CONSULT ENGINEERING.

BSD-SW-R

Rev. Date	Rev. #	Rev. Title
10-25-23	5	ENDVIEW UPDATE
03-10-22	4	DATA UPDATE



DEFROST CONTROLS {DIRECT EXPANSION HFC/CO2}								
	Defrosts Per Day	Run-Off Time (Min)	Electric Defrost		Timed-Off Defrost		Hot Gas Defrost	
			Fail-Safe (Min)	Termination Temp (°F)	Fail-Safe (Min)	Termination Temp (°F)	Fail-Safe (Min)	Termination Temp (°F)
DX (Ice)	2	---	---	---	75/**60	42	---	---
Glycol	2	---	---	---	90	45	---	---



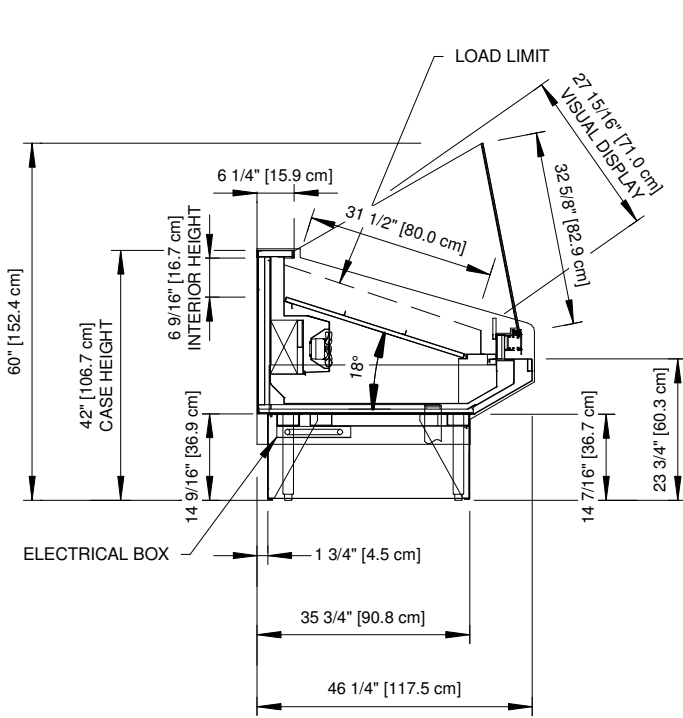
BSD-SW-R

Rev. Date	Rev. #	Rev. Title
10-25-23	5	ENDVIEW UPDATE
03-10-22	4	DATA UPDATE

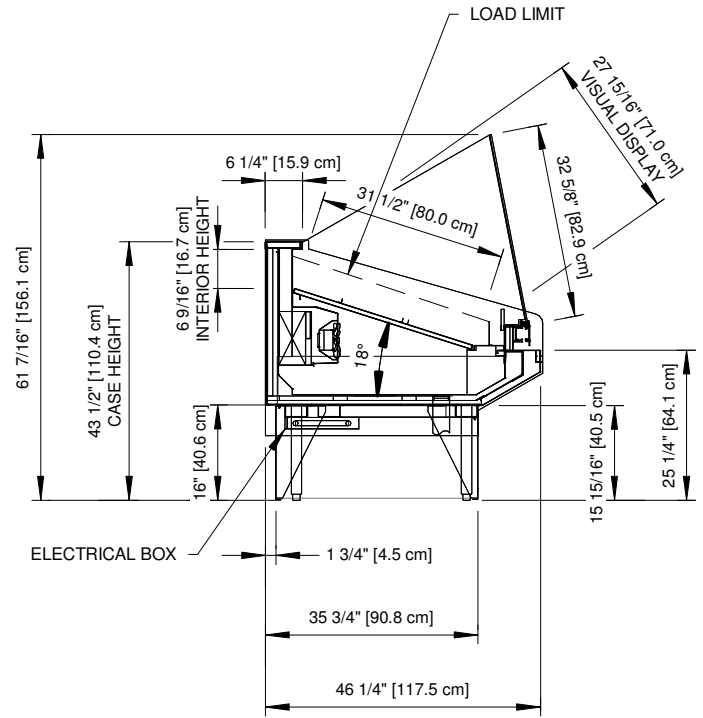


BSD-SW-R

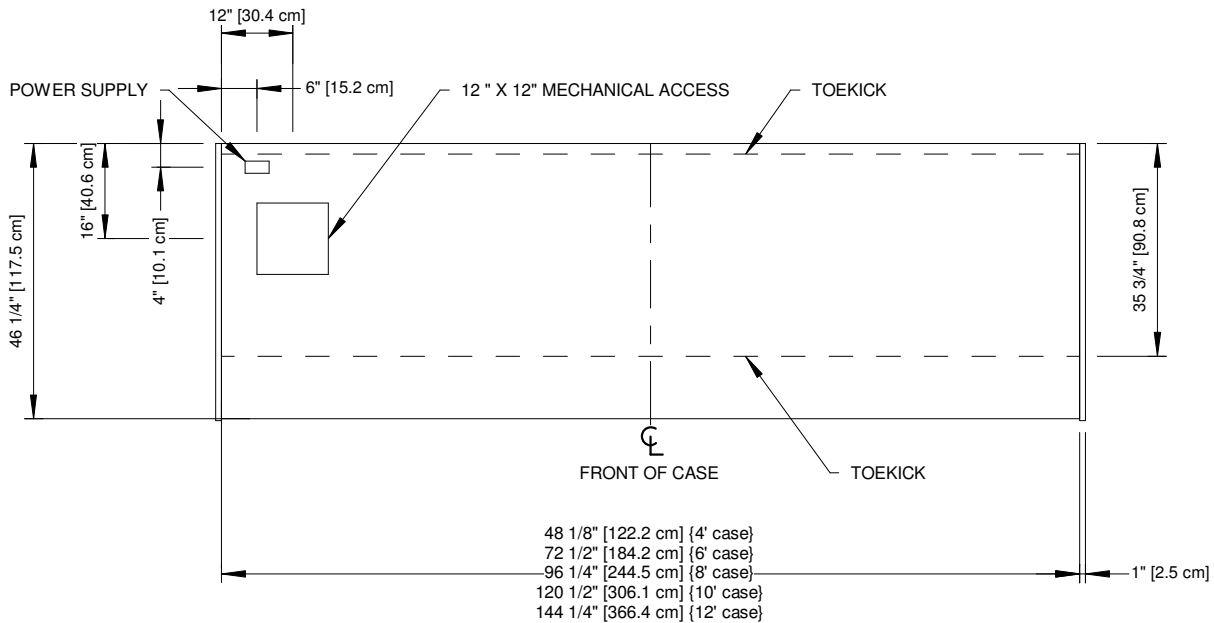
Service Single-Deck Open Back Merchandiser w/ Flat Swing-Out Glass
4', 6', 8', 10' & 12' (Seafood)



42" PROFILE



43" PROFILE (OPTIONAL)

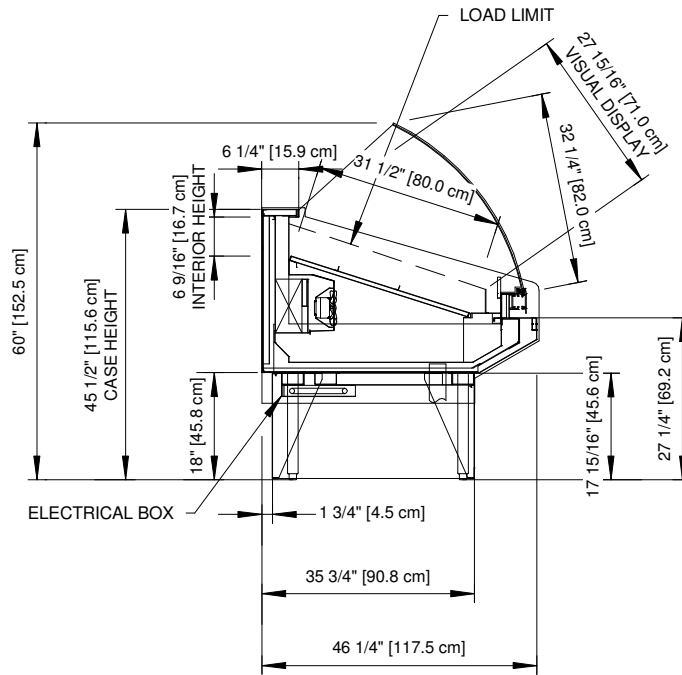


ENGINEERED FOR STORES WITH AMBIENT CONDITIONS NOT TO EXCEED 75° AND 55% RELATIVE HUMIDITY. DUE TO ENGINEERING IMPROVEMENTS SPECIFICATIONS MAY CHANGE WITHOUT NOTICE. ALL MEASUREMENTS ARE TAKEN PER ASHRAE-72 SPECIFICATIONS. HILLPHOENIX REFRIGERATED DISPLAY CASES FOR SALE IN THE UNITED STATES MEET OR EXCEED DEPARTMENT OF ENERGY 2017 REQUIREMENTS. NUMBERS ARE BASED ON STANDARD CASE SIZES. CONSULT ENGINEERING.

BSD-SW-R

Rev. Date	Rev. #	Rev. Title
10-25-23	5	ENDVIEW UPDATE
03-10-22	4	DATA UPDATE





CURVED GLASS (OPTIONAL)



ENGINEERED FOR STORES WITH AMBIENT CONDITIONS NOT TO EXCEED 75° AND 55% RELATIVE HUMIDITY. DUE TO ENGINEERING IMPROVEMENTS SPECIFICATIONS MAY CHANGE WITHOUT NOTICE. ALL MEASUREMENTS ARE TAKEN PER ASHRAE-72 SPECIFICATIONS. HILLPHOENIX REFRIGERATED DISPLAY CASES FOR SALE IN THE UNITED STATES MEET OR EXCEED DEPARTMENT OF ENERGY 2017 REQUIREMENTS. NUMBERS ARE BASED ON STANDARD CASE SIZES. CONSULT ENGINEERING.

BSD-SW-R

Rev. Date	Rev. #	Rev. Title
10-25-23	5	ENDVIEW UPDATE
03-10-22	4	DATA UPDATE

