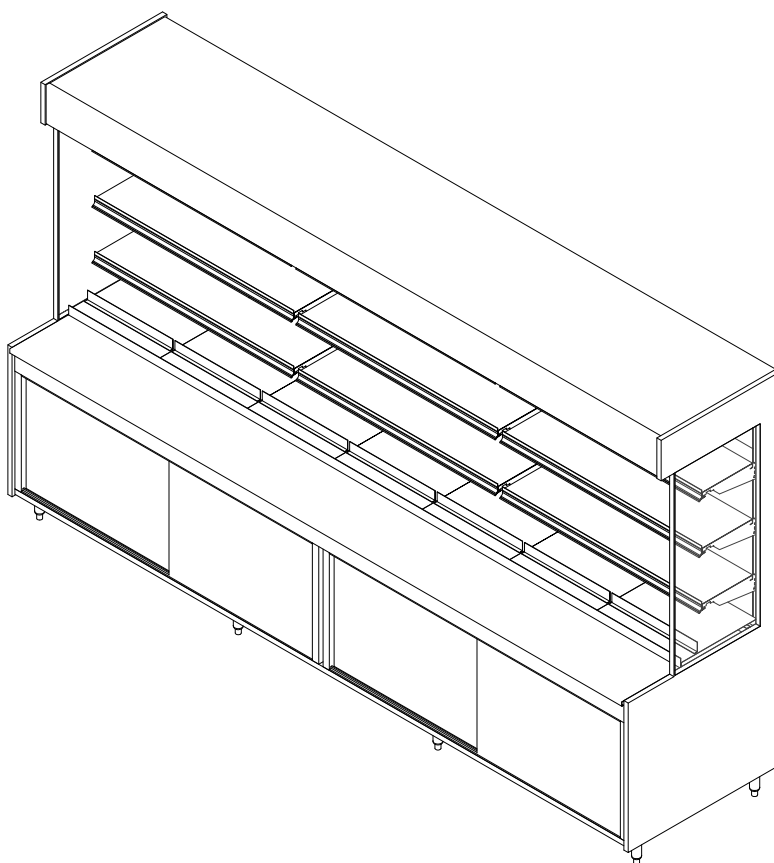


**GENERAL NOTES:**

- "---" Indicates that the feature is not an option on this case model and/or the data is not yet available at this time.
- DLS - Dry Lower Storage
- RLS - Refrigerated Lower Storage (optional)



SHIPPING WEIGHT	
Case	Weight
DB-R	---



ENGINEERED FOR STORES WITH AMBIENT CONDITIONS NOT TO EXCEED 75° AND 55% RELATIVE HUMIDITY. DUE TO ENGINEERING IMPROVEMENTS SPECIFICATIONS MAY CHANGE WITHOUT NOTICE. ALL MEASUREMENTS ARE TAKEN PER ASHRAE-72 SPECIFICATIONS. HILLPHOENIX REFRIGERATED DISPLAY CASES FOR SALE IN THE UNITED STATES MEET OR EXCEED DEPARTMENT OF ENERGY 2017 REQUIREMENTS. NUMBERS ARE BASED ON STANDARD CASE SIZES. CONSULT ENGINEERING.

**DB-R**

Rev. Date	Rev. #	Rev. Title
03-10-22	2	DATA UPDATE
06-03-21	1	NEW STANDARDS



ELECTRICAL DATA												
Case Length	Fans Per Case	High Efficiency Fans		Anti-Condensate Fans		Drain Heaters		Optional Defrost Heaters		RLS		
		120 Volts		120 Volts		120 Volts		208 Volts		Fans Per Case	Unit Cooler Fans	
		Amps	Watts	Amps	Watts	Amps	Watts	Amps	Watts		120 Volts	
										Watts	Amps	
4'	2	0.60	72	---	---	---	---	---	---	1	0.24	20
6'	3	0.90	108	---	---	---	---	---	---	1	0.24	20
8'	4	1.20	144	---	---	---	---	---	---	2	0.48	40
10'	5	1.50	180	---	---	---	---	---	---	2	0.48	40
12'	6	1.80	216	---	---	---	---	---	---	3	0.72	60

LIGHTING DATA						
Case Length	Lights Per Row	Light Length	Clearvoyant 4 LED Lighting (Per Light Row)			
			Standard Power (Cornice or Shelf)		High Power (Cornice)	
			120 Volts		120 Volts	
			Amps	Watts	Amps	Watts
4'	1	4'	0.05	5.9	0.12	14.9
6'	2	3'	0.08	9.4	0.20	23.8
8'	2	4'	0.10	11.8	0.24	29.8
10'	2	5'	0.12	15.0	0.30	37.0
12'	3	4'	0.15	17.7	0.36	44.7

GUIDELINES AND CONTROL SETTINGS (DX) {DIRECT EXPANSION HFC/CO2}						
	BTUH/ft		Superheat Set Point @ Bulb (°F)	Evaporator (°F)	Discharge Air (°F)	Discharge Air Velocity (FPM)
	Conventional	Parallel				
DX	1366	1308	6 - 8	26	32	75 - 100
RLS	180	168	6 - 8	26	32	75 - 100

**NOTES:**

- "----" Indicates that the feature is not an option on this case model and/or the data is not yet available at this time.
- RLS - Refrigerated Lower Storage
- Listed BTUH indicates unlighted shelves. Add the following for lighted shelves:  
4' Shelf LED: 36 BTUH  
4' Canopy LED: 72 BTUH  
3' Shelf LED: 27 BTUH  
3' Hi-Output LED: 54 BTUH
- Listed discharge air velocity represents the average velocity at the peak of defrost.
- \* Time-off duration for defrost with no termination control.
- Discharge air temperature values represent readings taken within the upper air channel immediately behind/upstream of the honeycomb.



ENGINEERED FOR STORES WITH AMBIENT CONDITIONS NOT TO EXCEED 75° AND 55% RELATIVE HUMIDITY. DUE TO ENGINEERING IMPROVEMENTS SPECIFICATIONS MAY CHANGE WITHOUT NOTICE. ALL MEASUREMENTS ARE TAKEN PER ASHRAE-72 SPECIFICATIONS. HILLPHOENIX REFRIGERATED DISPLAY CASES FOR SALE IN THE UNITED STATES MEET OR EXCEED DEPARTMENT OF ENERGY 2017 REQUIREMENTS. NUMBERS ARE BASED ON STANDARD CASE SIZES. CONSULT ENGINEERING.

**DB-R**

Rev. Date	Rev. #	Rev. Title
03-10-22	2	DATA UPDATE
06-03-21	1	NEW STANDARDS



DEFROST CONTROLS {DIRECT EXPANSION HFC/CO2}								
	Defrosts Per Day	Run-Off Time (Min)	Electric Defrost		Timed-Off Defrost		Hot Gas Defrost	
			Fail-Safe (Min)	Termination Temp (°F)	Fail-Safe (Min)	Termination Temp (°F)	Fail-Safe (Min)	Termination Temp (°F)
DX	6	---	---	---	30/*10	42	---	---
RLS	6	---	---	---	30/*20	45	---	---

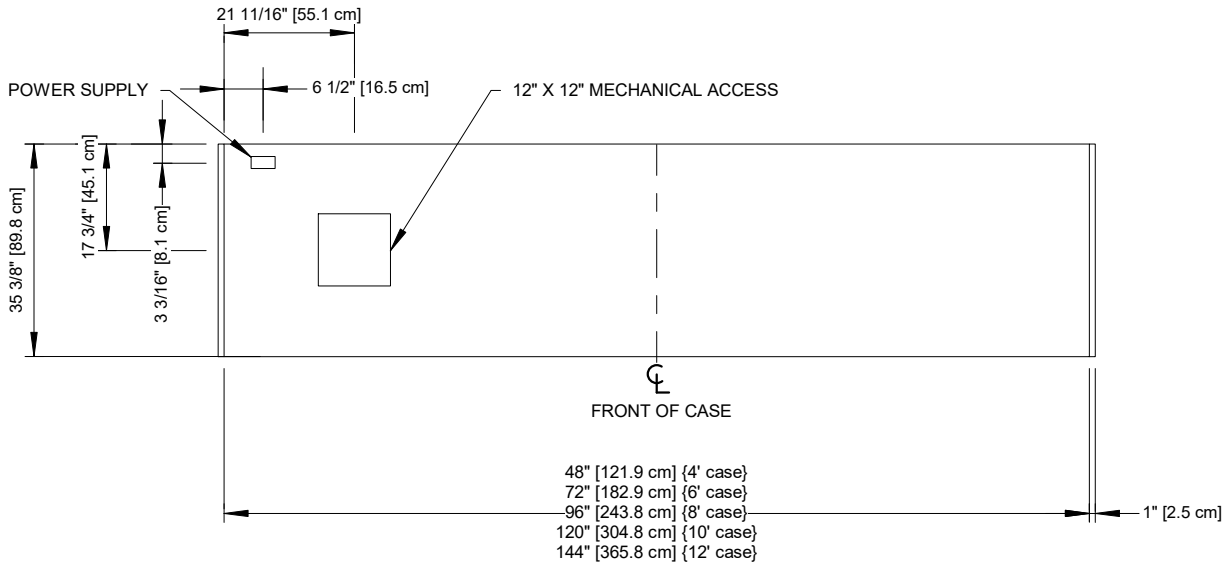
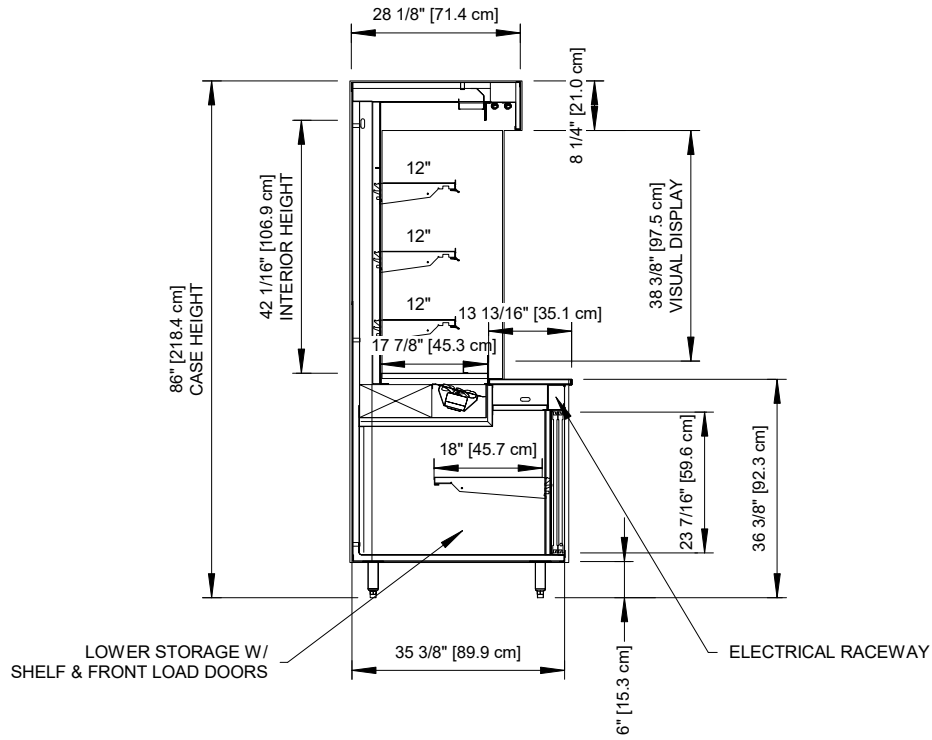


ENGINEERED FOR STORES WITH AMBIENT CONDITIONS NOT TO EXCEED 75° AND 55% RELATIVE HUMIDITY. DUE TO ENGINEERING IMPROVEMENTS SPECIFICATIONS MAY CHANGE WITHOUT NOTICE. ALL MEASUREMENTS ARE TAKEN PER ASHRAE-72 SPECIFICATIONS. HILLPHOENIX REFRIGERATED DISPLAY CASES FOR SALE IN THE UNITED STATES MEET OR EXCEED DEPARTMENT OF ENERGY 2017 REQUIREMENTS. NUMBERS ARE BASED ON STANDARD CASE SIZES. CONSULT ENGINEERING.

## DB-R

Rev. Date	Rev. #	Rev. Title
03-10-22	2	DATA UPDATE
06-03-21	1	NEW STANDARDS





Intertek Intertek

ENGINEERED FOR STORES WITH AMBIENT CONDITIONS NOT TO EXCEED 75° AND 55% RELATIVE HUMIDITY. DUE TO ENGINEERING IMPROVEMENTS SPECIFICATIONS MAY CHANGE WITHOUT NOTICE. ALL MEASUREMENTS ARE TAKEN PER ASHRAE-72 SPECIFICATIONS. HILLPHOENIX REFRIGERATED DISPLAY CASES FOR SALE IN THE UNITED STATES MEET OR EXCEED DEPARTMENT OF ENERGY 2017 REQUIREMENTS. NUMBERS ARE BASED ON STANDARD CASE SIZES. CONSULT ENGINEERING.

### DB-R

Rev. Date	Rev. #	Rev. Title
03-10-22	2	DATA UPDATE
06-03-21	1	NEW STANDARDS



a DOVER company