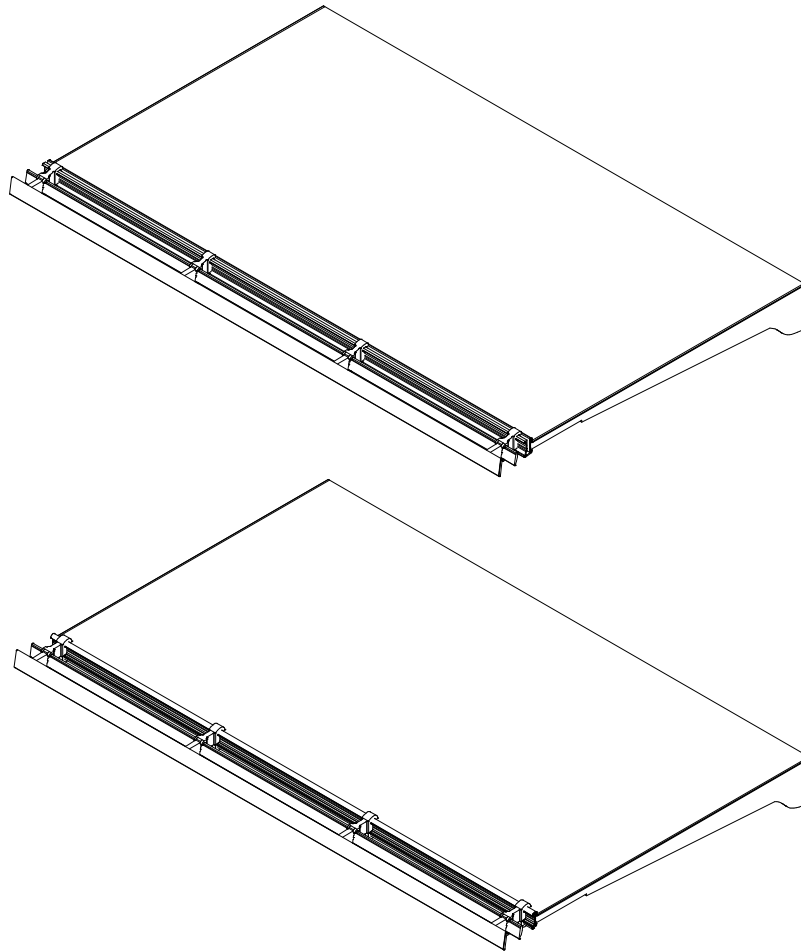


GENERAL NOTES:

- Origin & 6 Series Multi-Deck Cases with Flat Shelves: up to 33% refrigeration energy savings when evaporator settings are raised 3-4°.
- Shelf Depth affects energy savings performance. Maximize refrigeration energy savings by using the following shelf configuration:
 - Standard depth cases: 24" shelf depths
 - Narrow depth cases: 20" shelf depths
- If using product stops, Ecoblade specific product stops must be used.
- If evaporator settings are not adjusted, then max product temperature will decrease and expect refrigeration energy savings up to 20%.
- Raised evaporator settings listed above are recommended start-up settings. Final operational settings may need to be adjusted for the store condition in which the case operates.
- The 1st shelf above the deck pan does not require Ecoblade as it obstructs the access to the bottom bin and does not have a performance advantage.



**PARTS
ONE**

ANTHONY | HILLPHOENIX

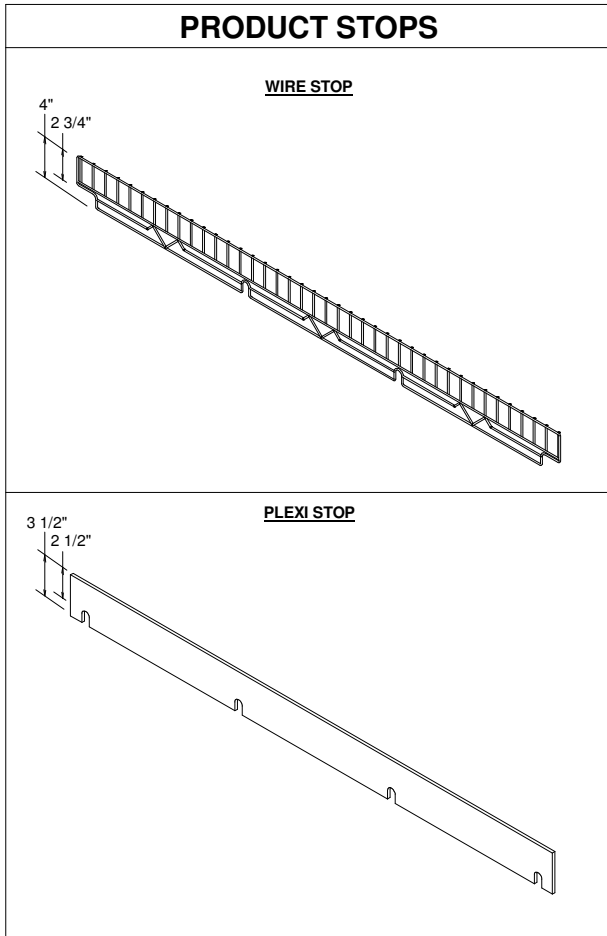
shop@partsonestore.com



ALL MEASUREMENTS ARE TAKEN PER ASHRAE-72-2005 SPECIFICATIONS. HILLPHOENIX REFRIGERATED DISPLAY CASES FOR SALE IN THE UNITED STATES MEET OR EXCEED DEPARTMENT OF ENERGY 2017 REQUIREMENTS.

ECOBLADE

Rev. Date	Rev. #	Rev. Title
6/16/20	1	RETRO FIT SECTION
11/6/19	0	"ECOBLADE"



OPTION PAGE NOTES:

- If using product stops, Ecoblade specific product stops must be used.
- Retrofit Ecoblade is used on field shelving with either standard (1-1/4") or slotted tag molding.
- Optional product stops are only available on slotted TM.



ALL MEASUREMENTS ARE TAKEN PER ASHRAE-72-2005 SPECIFICATIONS. HILLPHOENIX REFRIGERATED DISPLAY CASES FOR SALE IN THE UNITED STATES MEET OR EXCEED DEPARTMENT OF ENERGY 2017 REQUIREMENTS.

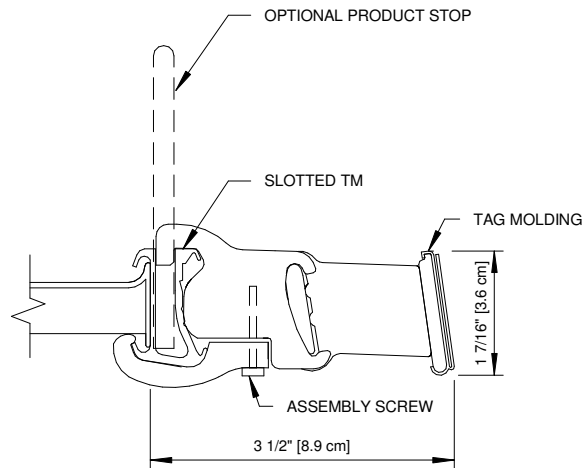
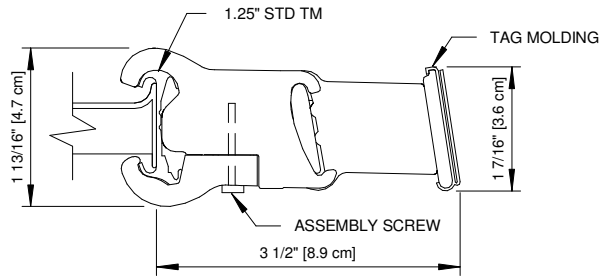
ECOBLADE

Rev. Date	Rev. #	Rev. Title
6/16/20	1	RETRO FIT SECTION
11/6/19	0	"ECOBLADE"

**PARTS
ONE**

ANTHONY | HILLPHOENIX

shop@partsonestore.com



NOTES:

- "----" indicates that the feature is not an option on this case model and/or the data is not yet available.
- Retrofit Flat EcoBlade is used on field shelving with either standard (1-1/4") or slotted tag molding.
- Optional product stops are only available on slotted TM.

**PARTS
ONE**

ANTHONY | HILLPHOENIX

shop@partsonestore.com



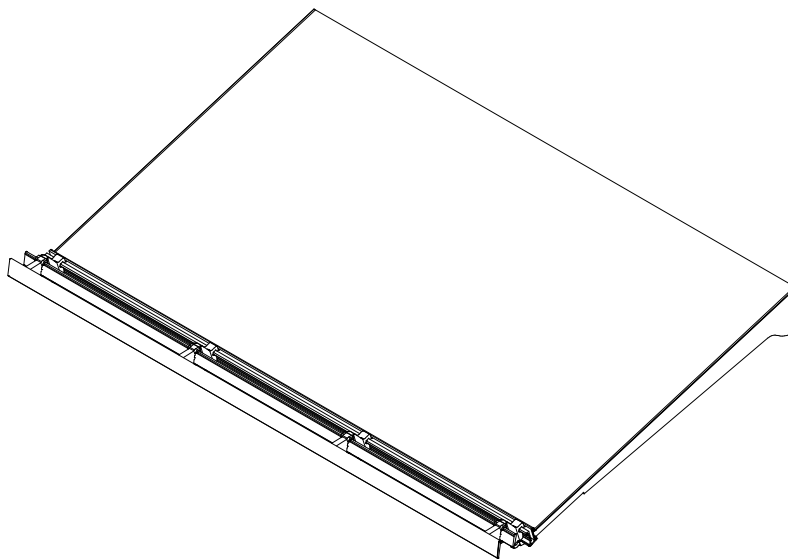
ALL MEASUREMENTS ARE TAKEN PER ASHRAE-72-2005 SPECIFICATIONS. HILLPHOENIX REFRIGERATED DISPLAY CASES FOR SALE IN THE UNITED STATES MEET OR EXCEED DEPARTMENT OF ENERGY 2017 REQUIREMENTS.

ECOBLADE

Rev. Date	Rev. #	Rev. Title
6/16/20	1	RETRO FIT SECTION
11/6/19	0	"ECOBLADE"

GENERAL NOTES:

- Origin & 6 Series Multi-Deck Cases with angled shelves: up to 25% refrigeration energy savings when evaporator settings are raised 3-4°F.
- Origin High Meat & Produce case models with Angled Shelves: up to 15% refrigeration energy savings when evaporator settings are raised 3-4°F.
- Shelf Depth affects refrigeration energy savings performance. Maximize energy savings by using the following shelf configuration:
 - Origin & 6 Series case models: Standard depth cases: 24" shelf depths
 - Origin & 6 Series case models: Narrow depth cases: 20" shelf depths
 - Origin High Meat & Produce case models: Standard depth cases: Cascading 18", 20", & 22" shelves
 - Origin High Meat & Produce case models: Narrow depth cases: Cascading 14", 16", & 18" shelves
- If using product stops, Ecoblade specific product stops must be used.
- Angled shelves for Ecoblade application must be 15°-17°.
- If evaporator settings are not adjusted, then max product temperature and refrigeration energy savings will decrease.
- Raised evaporator settings listed above are recommended start-up settings. Final operational settings may need to be adjusted for the store condition in which the case operates.
- The 1st shelf above the deck pan does not require Ecoblade as it obstructs the access to the bottom bin and does not have a performance advantage.



PARTS
ONE

ANTHONY | HILLPHOENIX

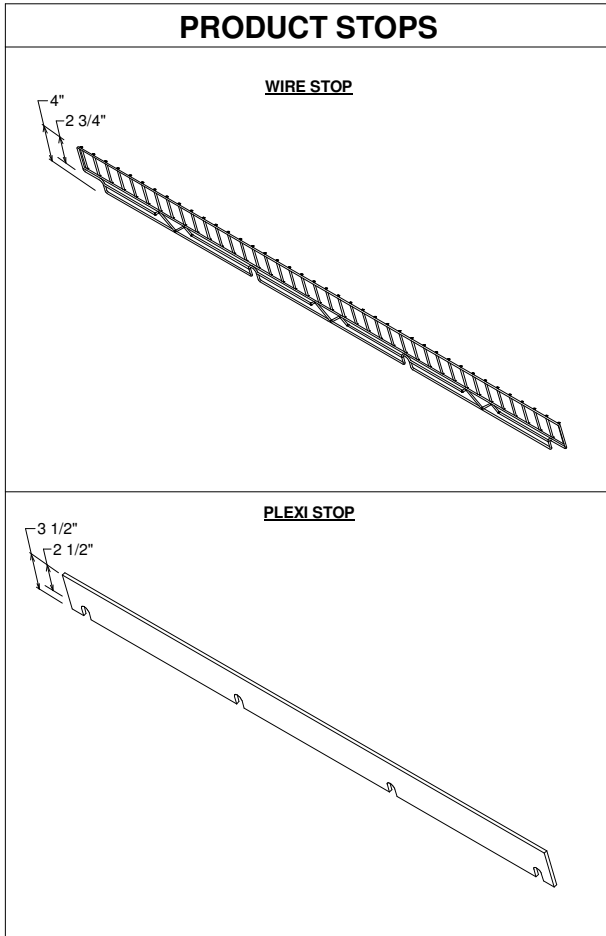
shop@partsonestore.com



ALL MEASUREMENTS ARE TAKEN PER ASHRAE-72-2005 SPECIFICATIONS. HILLPHOENIX REFRIGERATED DISPLAY CASES FOR SALE IN THE UNITED STATES MEET OR EXCEED DEPARTMENT OF ENERGY 2017 REQUIREMENTS.

ECOBLADE

Rev. Date	Rev. #	Rev. Title
6/16/20	1	RETRO FIT SECTION
11/6/19	0	"ECOBLADE"



OPTION PAGE NOTES:

- If using product stops, Ecoblade specific product stops must be used.



ALL MEASUREMENTS ARE TAKEN PER ASHRAE-72-2005 SPECIFICATIONS. HILLPHOENIX REFRIGERATED DISPLAY CASES FOR SALE IN THE UNITED STATES MEET OR EXCEED DEPARTMENT OF ENERGY 2017 REQUIREMENTS.

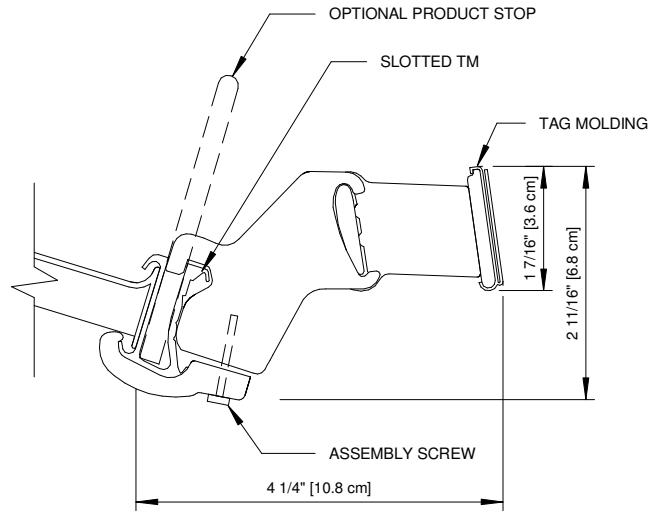
ECOBLADE

Rev. Date	Rev. #	Rev. Title
6/16/20	1	RETRO FIT SECTION
11/6/19	0	"ECOBLADE"

**PARTS
ONE**

ANTHONY | HILLPHOENIX

shop@partsonestore.com



NOTES:

- "---" indicates that the feature is not an option on this case model and/or the data is not yet available.

PARTS
ONE

ANTHONY | HILLPHOENIX

Hillphoenix

A DOVER COMPANY



ALL MEASUREMENTS ARE TAKEN PER ASHRAE-72-2005 SPECIFICATIONS. HILLPHOENIX REFRIGERATED DISPLAY CASES FOR SALE IN THE UNITED STATES MEET OR EXCEED DEPARTMENT OF ENERGY 2017 REQUIREMENTS.

ECOBLADE

Rev. Date	Rev. #	Rev. Title
6/16/20	1	RETRO FIT SECTION
11/6/19	0	"ECOBLADE"