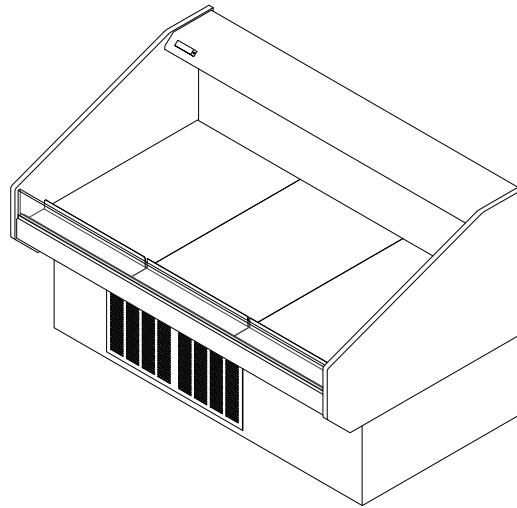




GENERAL NOTES:

- "---" Indicates that the feature is not an option on this case model and/or the data is not yet available at this time.



SHIPPING WEIGHT	
Case	Weight
HS-SC	---



HS-SC

Rev. Date	Rev. #	Rev. Title
06-26-23	2	ENDVIEW UPDATE
05-15-23	1	NEW STANDARDS



ALL MEASUREMENTS ARE TAKEN PER ASHRAE-72 SPECIFICATIONS. HILLPHOENIX REFRIGERATED DISPLAY CASES FOR SALE IN THE UNITED STATES MEET OR EXCEED DEPARTMENT OF ENERGY 2017 REQUIREMENTS.



SYSTEM REQUIREMENTS							
Case Height	Case Depth	Case Length	Volts	Phase	Total Amps	Minimum Circuit Ampacity	Maximum Overcurrent Protection
40"	40 11/16"	2'	120	1	4.75	5.7	15
40"	40 11/16"	3'	120	1	6.18	7.5	15
40"	40 11/16"	4'	120	1	7.47	9.0	15
40"	40 11/16"	6'	120	1	12.46	13.8	20
46 1/2"	33 11/16"	2'	120	1	4.75	5.7	15
46 1/2"	33 11/16"	3'	120	1	6.18	7.5	15
46 1/2"	33 11/16"	4'	120	1	7.47	9.0	15
46 1/2"	40 11/16"	2'	120	1	4.75	5.7	15
46 1/2"	40 11/16"	3'	120	1	6.18	7.5	15
46 1/2"	40 11/16"	4'	120	1	7.47	9.0	15
46 1/2"	46"	2'	120	1	4.75	5.7	15
46 1/2"	46"	3'	120	1	6.18	7.5	15
46 1/2"	46"	4'	120	1	7.47	9.0	15
46 1/2"	46"	6'	120	1	12.46	13.8	20
40"	40 11/16"	2'	120/208	1	3.90	4.9	20
40"	40 11/16"	3'	120/208	1	5.30	6.6	20
40"	40 11/16"	4'	120/208	1	6.10	7.6	20
40"	40 11/16"	6'	120/208	1	6.43	7.8	20
46 1/2"	33 11/16"	2'	120/208	1	3.90	4.9	20
46 1/2"	33 11/16"	3'	120/208	1	5.30	6.6	20
46 1/2"	33 11/16"	4'	120/208	1	6.10	7.6	20
46 1/2"	40 11/16"	2'	120/208	1	3.90	4.9	20
46 1/2"	40 11/16"	3'	120/208	1	5.30	6.6	20
46 1/2"	40 11/16"	4'	120/208	1	6.10	7.6	20
46 1/2"	46"	2'	120/208	1	3.90	4.9	20
46 1/2"	46"	3'	120/208	1	5.30	6.6	20
46 1/2"	46"	4'	120/208	1	6.10	7.6	20
46 1/2"	46"	6'	120/208	1	6.43	7.8	20

NOTES:

- "---" Indicates that the feature is not an option on this case model and/or the data is not yet available at this time.
- Listed discharge air velocity represents the average velocity at the peak of defrost.
- LRA - Locked Rotor Amps
- RLA - Running Load Amps
- Listed condensing unit data is only for a single unit.



HS-SC

ALL MEASUREMENTS ARE TAKEN PER ASHRAE-72-2005 SPECIFICATIONS. HILLPHOENIX REFRIGERATED DISPLAY CASES FOR SALE IN THE UNITED STATES MEET OR EXCEED DEPARTMENT OF ENERGY 2017 REQUIREMENTS.

Rev. Date	Rev. #	Rev. Title
06-26-23	2	ENDVIEW UPDATE
05-15-23	1	NEW STANDARDS





ELECTRICAL DATA							
Case Length	Fans Per Case	High Efficiency Fans		Anti-Condensate Fans		Drain Pumps	
		120 Volts		120 Volts		120 Volts	
		Amps	Watts	Amps	Watts	Amps	Watts
2'	1	0.30	25	---	---	---	---
3'	1	0.30	25	---	---	---	---
4'	2	0.60	50	---	---	---	---
6'	2	0.60	50	---	---	---	---

LIGHTING DATA						
Case Length	Lights Per Row	Light Length	Clearvoyant 4 LED Lighting (Per Light Row)			
			Standard Power (Cornice or Shelf)		High Power (Cornice)	
			120 Volts		120 Volts	
			Amps	Watts	Amps	Watts
2'	1	2'	0.03	3.1	0.06	7.8
3'	1	3'	0.04	4.7	0.10	11.9
4'	1	4'	0.05	5.9	0.12	14.9
6'	2	3'	0.08	9.4	0.20	23.8

GUIDELINES AND CONTROL SETTINGS					
Case Height	Case Depth	Case Length	24hr Energy Usage (kWh)	Discharge Air (°F)	Discharge Air Velocity (FPM)
40"	40 11/16"	2'	4.53	28 - 30	203
40"	40 11/16"	3'	7.40	28 - 30	100
40"	40 11/16"	4'	9.82	28 - 30	184
40"	40 11/16"	6'	15.60	28 - 30	158
46 1/2"	33 11/16"	2'	4.53	28 - 30	195
46 1/2"	33 11/16"	3'	7.40	28 - 30	100
46 1/2"	33 11/16"	4'	9.82	28 - 30	206
46 1/2"	40 11/16"	2'	4.53	28 - 30	169
46 1/2"	40 11/16"	3'	7.40	28 - 30	100
46 1/2"	40 11/16"	4'	10.50	28 - 30	135
46 1/2"	46"	2'	6.17	28 - 30	203
46 1/2"	46"	3'	7.70	28 - 30	100
46 1/2"	46"	4'	12.31	28 - 30	184
46 1/2"	46"	6'	15.39	28 - 30	158



HS-SC

ALL MEASUREMENTS ARE TAKEN PER ASHRAE-72-2005 SPECIFICATIONS. HILLPHOENIX REFRIGERATED DISPLAY CASES FOR SALE IN THE UNITED STATES MEET OR EXCEED DEPARTMENT OF ENERGY 2017 REQUIREMENTS.

Rev. Date	Rev. #	Rev. Title
06-26-23	2	ENDVIEW UPDATE
05-15-23	1	NEW STANDARDS





CONDENSING UNIT DATA												
Case Height	Case Depth	Case Length	Volts	Phase	BTU/hs	RLA (Amps)	LRA (Amps)	Qty	Refrig.	Grams	Condenser Fans	
											Amps	Watts
40"	40 11/16"	2'	120	1	2054	3.9	25.1	1	R290	84	0.43	25
40"	40 11/16"	3'	120	1	2734	5.3	32.0	1	R290	120	0.43	25
40"	40 11/16"	4'	120	1	4495	6.1	42.0	2	R290	116	0.53	30
40"	40 11/16"	6'	120	1	4799	5.3	32.0	1	R290	142	0.43	25
46 1/2"	33 11/16"	2'	120	1	2054	3.9	25.1	1	R290	84	0.43	25
46 1/2"	33 11/16"	3'	120	1	2734	5.3	32.0	1	R290	120	0.43	25
46 1/2"	33 11/16"	4'	120	1	4495	6.1	42.0	1	R290	116	0.53	30
46 1/2"	40 11/16"	2'	120	1	2054	3.9	25.1	1	R290	84	0.43	25
46 1/2"	40 11/16"	3'	120	1	2734	5.3	32.0	1	R290	120	0.43	25
46 1/2"	40 11/16"	4'	120	1	4495	6.1	42.0	1	R290	116	0.53	30
46 1/2"	46"	2'	120	1	2054	3.9	25.1	1	R290	84	0.43	25
46 1/2"	46"	3'	120	1	2734	5.3	32.0	1	R290	120	0.43	25
46 1/2"	46"	4'	120	1	4495	6.1	42.0	1	R290	138	0.53	30
46 1/2"	46"	6'	120	1	4799	5.3	32.0	2	R290	142	0.43	25

DEFROST CONTROLS							
Defrosts Per Day	Run-Off Time (Min)	Electric Defrost		Timed-Off Defrost		Hot Gas Defrost	
		Fail-Safe (Min)	Termination Temp (°F)	Fail Safe (Min)	Termination Temp (°F)	Fail-Safe (Min)	Termination Temp (°F)
6	---	---	---	30	45	---	---

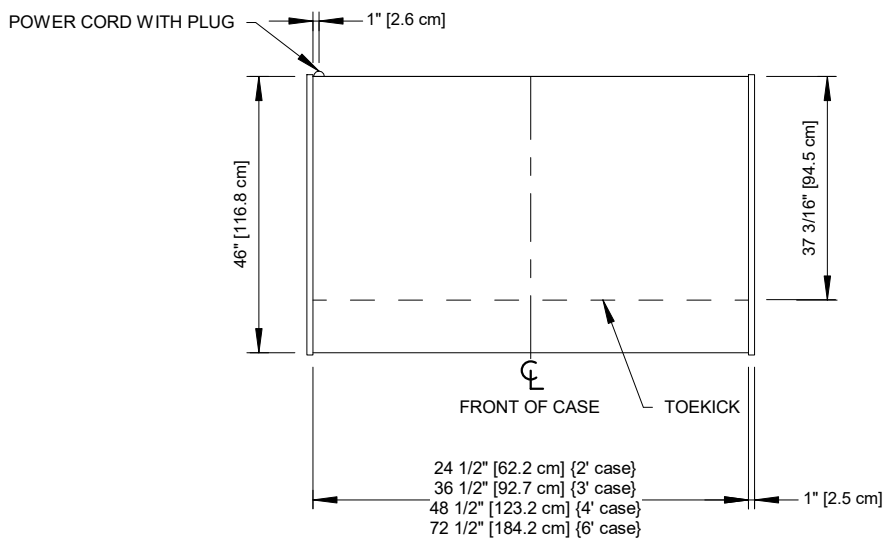
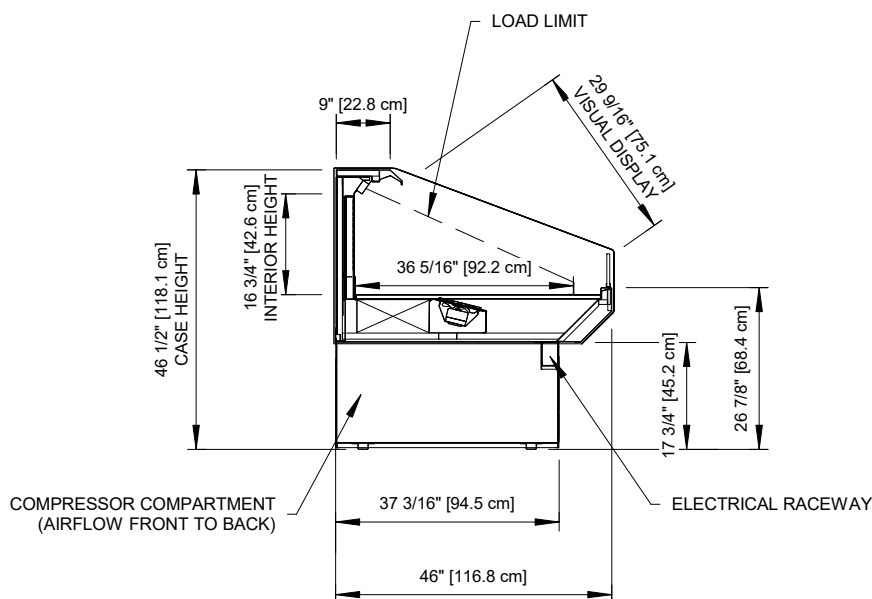


HS-SC

ALL MEASUREMENTS ARE TAKEN PER ASHRAE-72 SPECIFICATIONS. HILLPHOENIX REFRIGERATED DISPLAY CASES FOR SALE IN THE UNITED STATES MEET OR EXCEED DEPARTMENT OF ENERGY 2017 REQUIREMENTS.

Rev. Date	Rev. #	Rev. Title
06-26-23	2	ENDVIEW UPDATE
05-15-23	1	NEW STANDARDS





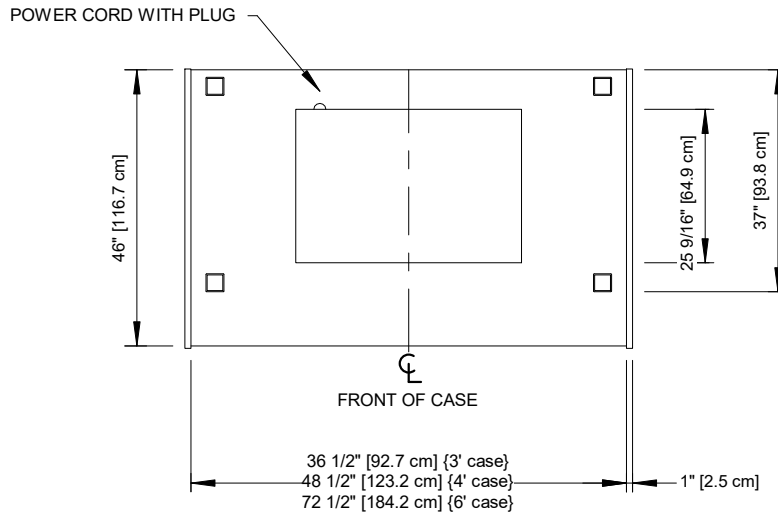
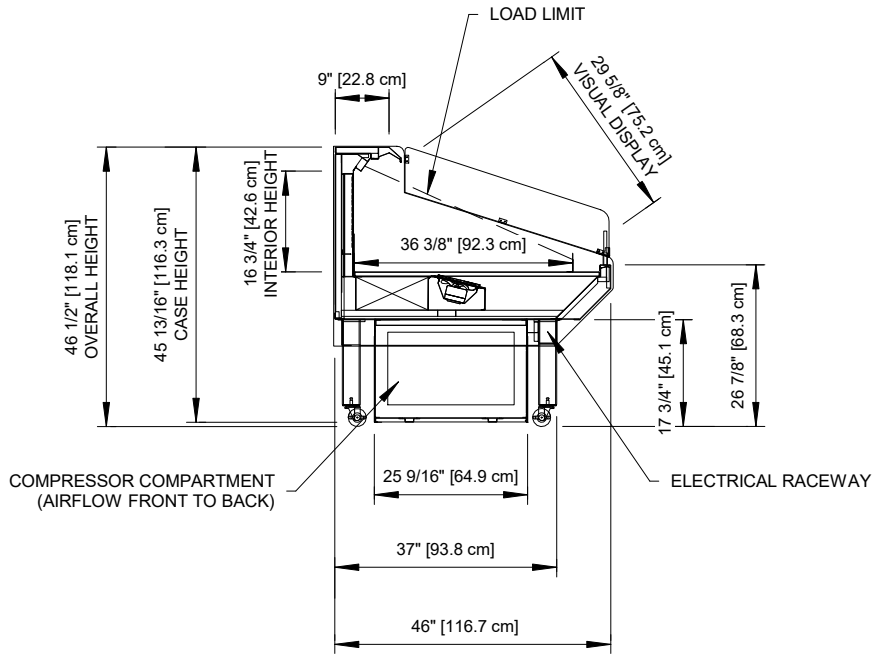
ALL MEASUREMENTS ARE TAKEN PER ASHRAE-72-2005 SPECIFICATIONS. HILLPHOENIX REFRIGERATED DISPLAY CASES FOR SALE IN THE UNITED STATES MEET OR EXCEED DEPARTMENT OF ENERGY 2017 REQUIREMENTS.

HS-SC

Rev. Date	Rev. #	Rev. Title
06-26-23	2	ENDVIEW UPDATE
05-15-23	1	NEW STANDARDS



a DOVER company

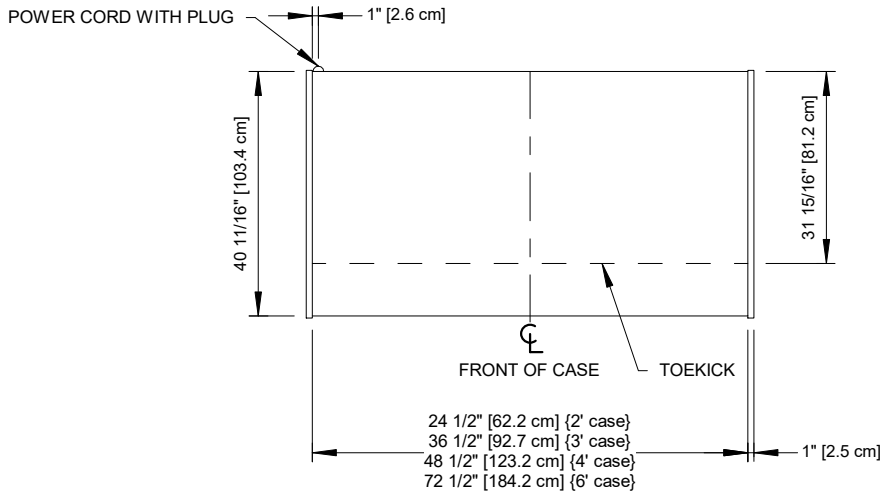
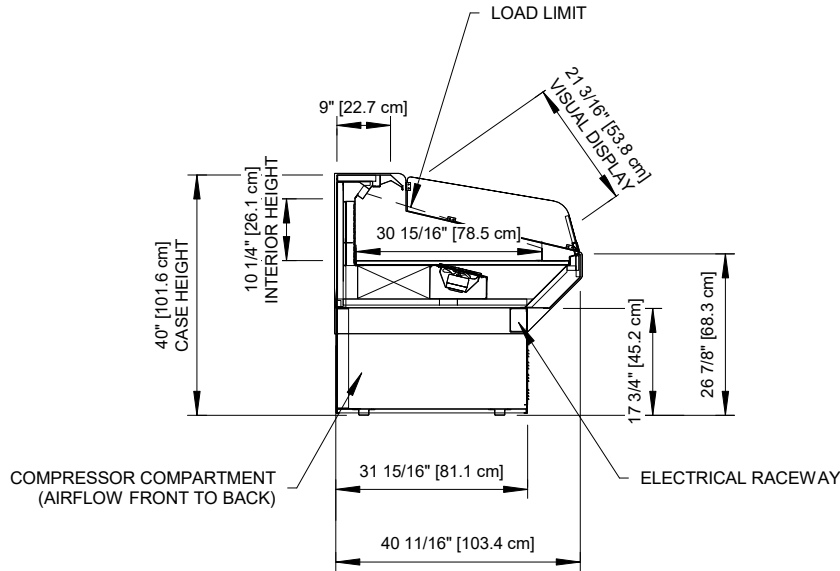


HS-SC



ALL MEASUREMENTS ARE TAKEN PER ASHRAE-72 SPECIFICATIONS. HILLPHOENIX REFRIGERATED DISPLAY CASES FOR SALE IN THE UNITED STATES MEET OR EXCEED DEPARTMENT OF ENERGY 2017 REQUIREMENTS.

Rev. Date	Rev. #	Rev. Title
06-26-23	2	ENDVIEW UPDATE
05-15-23	1	NEW STANDARDS



HS-SC

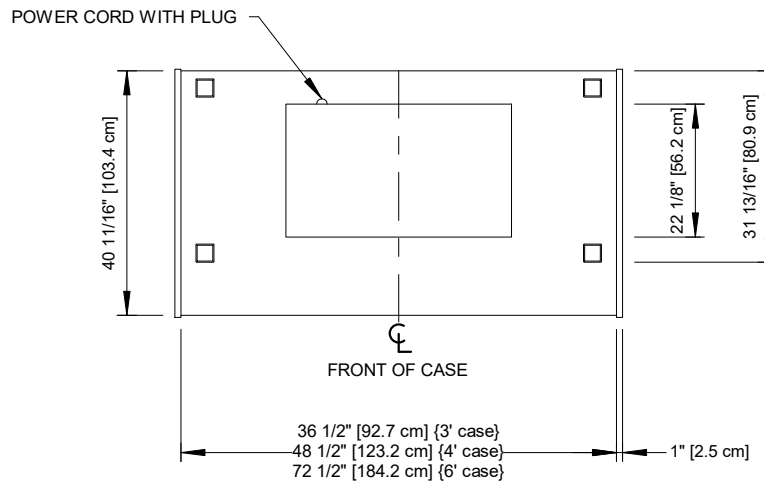
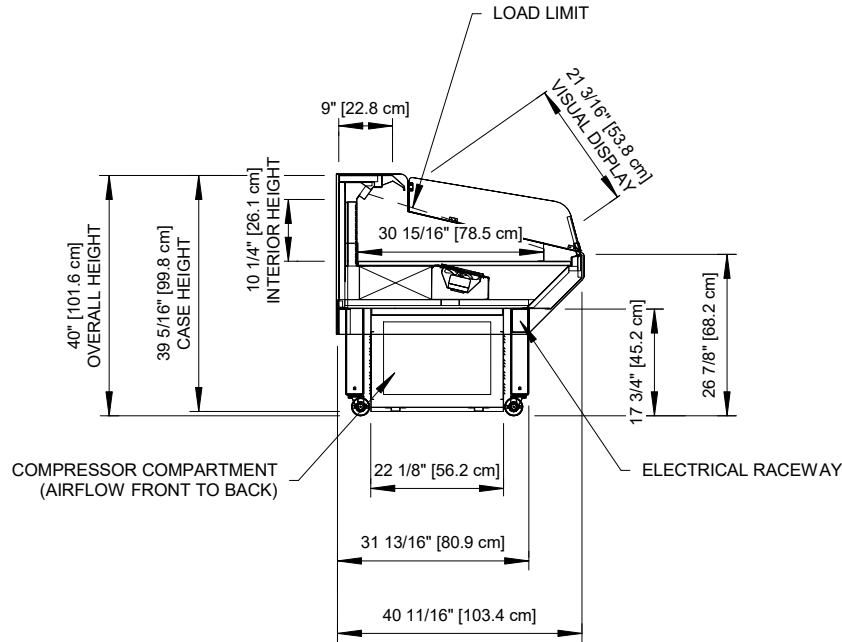
Rev. Date	Rev. #	Rev. Title
06-26-23	2	ENDVIEW UPDATE
05-15-23	1	NEW STANDARDS



ALL MEASUREMENTS ARE TAKEN PER ASHRAE-72 SPECIFICATIONS. HILLPHOENIX REFRIGERATED DISPLAY CASES FOR SALE IN THE UNITED STATES MEET OR EXCEED DEPARTMENT OF ENERGY 2017 REQUIREMENTS.

HS-SC

Self-Service Open Multi-Deck Merchandiser
3', 4' & 6' (Bakery/Beverage/Cheese/Deli/Meat/Produce)



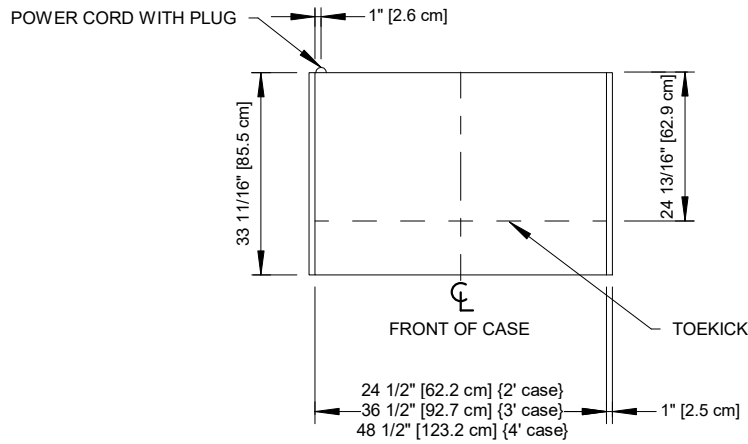
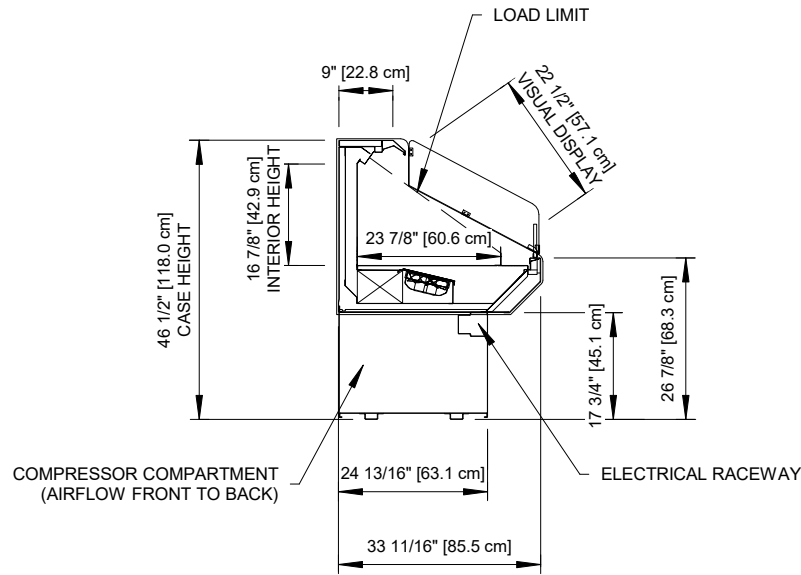
HS-SC



a DOVER company

ALL MEASUREMENTS ARE TAKEN PER ASHRAE-72 SPECIFICATIONS. HILLPHOENIX REFRIGERATED DISPLAY CASES FOR SALE IN THE UNITED STATES MEET OR EXCEED DEPARTMENT OF ENERGY 2017 REQUIREMENTS.

Rev. Date	Rev. #	Rev. Title
06-26-23	2	ENDVIEW UPDATE
05-15-23	1	NEW STANDARDS

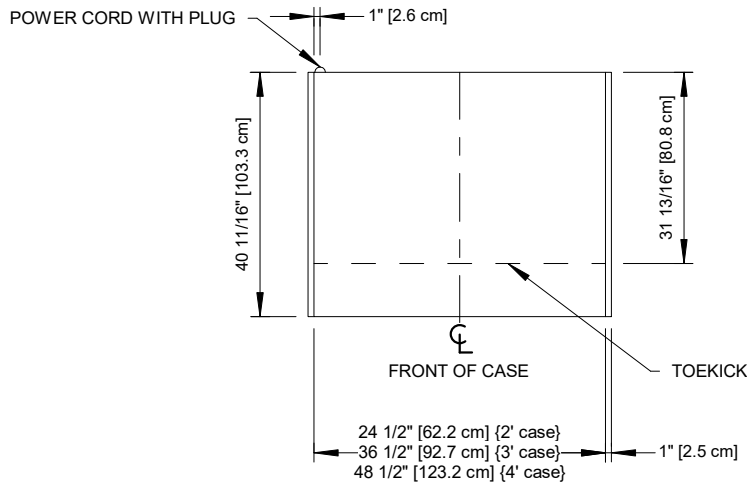
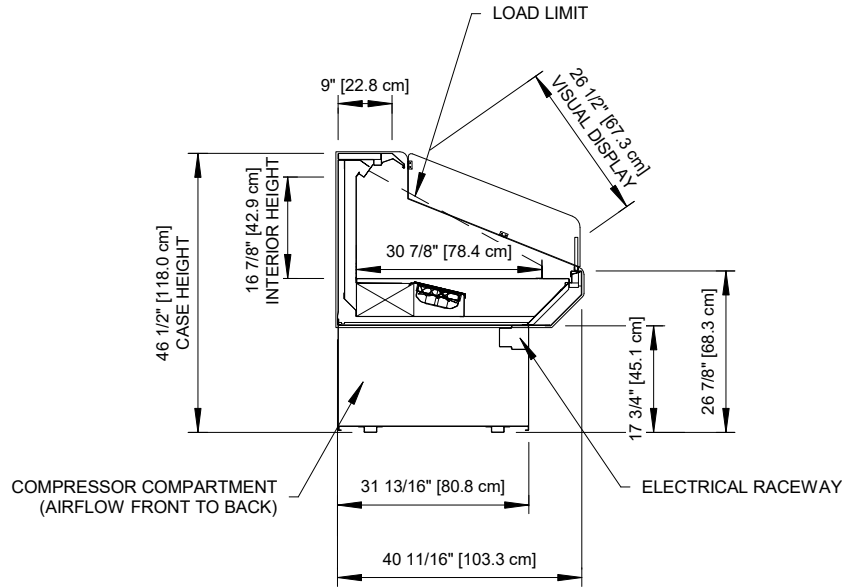


HS-SC

Rev. Date	Rev. #	Rev. Title
06-26-23	2	ENDVIEW UPDATE
05-15-23	1	NEW STANDARDS



ALL MEASUREMENTS ARE TAKEN PER ASHRAE-72 SPECIFICATIONS. HILLPHOENIX REFRIGERATED DISPLAY CASES FOR SALE IN THE UNITED STATES MEET OR EXCEED DEPARTMENT OF ENERGY 2017 REQUIREMENTS.



HS-SC

Rev. Date	Rev. #	Rev. Title
06-26-23	2	ENDVIEW UPDATE
05-15-23	1	NEW STANDARDS



ALL MEASUREMENTS ARE TAKEN PER ASHRAE-72 SPECIFICATIONS. HILLPHOENIX REFRIGERATED DISPLAY CASES FOR SALE IN THE UNITED STATES MEET OR EXCEED DEPARTMENT OF ENERGY 2017 REQUIREMENTS.