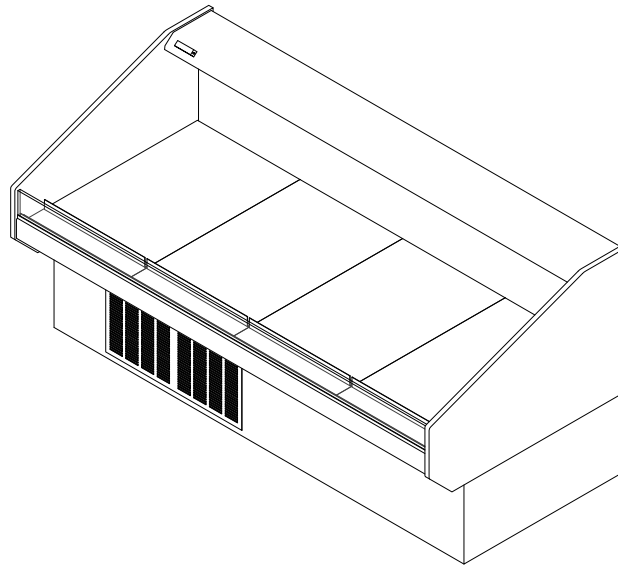


GENERAL NOTES:

- "----" Indicates that the feature is not an option on this case model and/or the data is not yet available at this time.



ENGINEERED FOR STORES WITH AMBIENT CONDITIONS NOT TO EXCEED 75° AND 55% RELATIVE HUMIDITY. DUE TO ENGINEERING IMPROVEMENTS SPECIFICATIONS MAY CHANGE WITHOUT NOTICE. ALL MEASUREMENTS ARE TAKEN PER ASHRAE-72 SPECIFICATIONS. HILLPHOENIX REFRIGERATED DISPLAY CASES FOR SALE IN THE UNITED STATES MEET OR EXCEED DEPARTMENT OF ENERGY 2017 REQUIREMENTS. NUMBERS ARE BASED ON STANDARD CASE SIZES. CONSULT ENGINEERING.

HS-SC

Rev. Date	Rev. #	Rev. Title
06-08-23	1	NEW STANDARDS



SYSTEM REQUIREMENTS							
Case Height	Case Depth	Case Length	Volts	Phase	Total Amps	Minimum Circuit Ampacity	Maximum Overcurrent Protection
46 1/2"	46"	8'	120/208	1	12.17	16	20
40"	40 11/16"	8'	120/208	1	12.17	16	20

ELECTRICAL DATA														
Case Height	Case Depth	Case Length	Fans Per Case	High Efficiency Fans		Anti-Condensate Fans		Drain Pumps		Evaporator Pan Heaters			Auxiliary Fans	
				120 Volts		120 Volts		120 Volts		Volts	Amps	Watts	120 Volts	
				Amps	Watts	Amps	Watts	Amps	Watts				Amps	Watts
46 1/2"	46"	8'	3	0.90	108	---	---	---	---	208	4.20	1500	---	---
40"	40 11/16"	8'	3	0.90	108	---	---	---	---	208	4.80	1000	---	---

LIGHTING DATA													
Case Height	Case Depth	Case Length	Lights Per Row	Light Length	Clearvoyant 4 LED Lighting (Per Light Row)								
					Standard Power (Cornice or Shelf)		High Power (Cornice)						
					120 Volts		120 Volts						
		Amps	Watts	Amps	Watts								
46 1/2"	46"	8'	2	4'	0.10	11.8	0.25	29.9					
40"	40 11/16"	8'	2	4'	0.10	11.8	0.25	29.9					

GUIDELINES AND CONTROL SETTINGS						
Case Height	Case Depth	24hr Energy Usage (kWh)	Suction Temperature @ Case Outlet (°F)	Superheat Set Point @ Bulb (°F)	Discharge Air (°F)	Discharge Air Velocity (FPM)
46 1/2"	46"	---	+20	10 - 12	32 - 36	220
40"	40 11/16"	---	+20	8 - 10	28 - 30	150

NOTES:

- "----" Indicates that the feature is not an option on this case model and/or the data is not yet available at this time.
- Listed discharge air velocity represents the average velocity at the peak of defrost.
- RLA - Running Load Amps
- LRA - Locked Rotor Amps
- Listed condensing unit data is only for a single unit.



ENGINEERED FOR STORES WITH AMBIENT CONDITIONS NOT TO EXCEED 75° AND 55% RELATIVE HUMIDITY. DUE TO ENGINEERING IMPROVEMENTS SPECIFICATIONS MAY CHANGE WITHOUT NOTICE. ALL MEASUREMENTS ARE TAKEN PER ASHRAE-72 SPECIFICATIONS. HILLPHOENIX REFRIGERATED DISPLAY CASES FOR SALE IN THE UNITED STATES MEET OR EXCEED DEPARTMENT OF ENERGY 2017 REQUIREMENTS. NUMBERS ARE BASED ON STANDARD CASE SIZES. CONSULT ENGINEERING.

HS-SC

Rev. Date	Rev. #	Rev. Title
06-08-23	1	NEW STANDARDS



HS-SC

Self-Service Open Single-Deck Enclosed Base Mobile Merchandiser
8' (Bakery/Beverage/Cheese/Deli/Meat/Produce)

CONDENSING UNIT DATA

Case Height	Case Depth	Case Length	Volts	Phase	HP	RLA (Amps)	LRA (Amps)	Refrig.	Condenser Fans		Lbs. of Refrig.
									Amps	Watts	
46 1/2"	46"	8'	208	1	3/4	5.40	43	448a	0.82	135	5.1
40"	40 11/16"	8'	208	1	3/4	5.40	43	448a	0.82	135	5.1

DEFROST CONTROLS

Case Height	Case Depth	Case Length	Defrosts Per Day	Run-Off Time (Min)	Electric Defrost		Timed-Off Defrost		Hot Gas Defrost	
					Fail-Safe (Min)	Termination Temp (°F)	Fail Safe (Min)	Termination Temp (°F)	Fail-Safe (Min)	Termination Temp (°F)
46 1/2"	46"	8'	4	---	---	---	45	45	---	---
40"	40 11/16"	8'	4	---	---	---	45	42	---	---

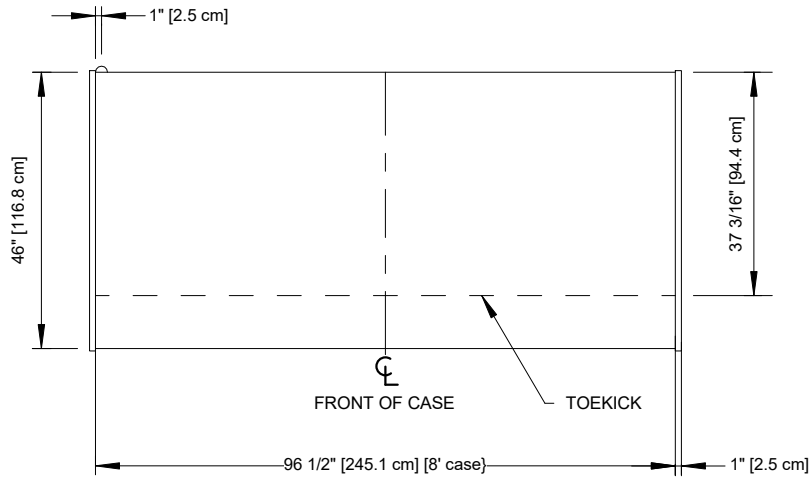
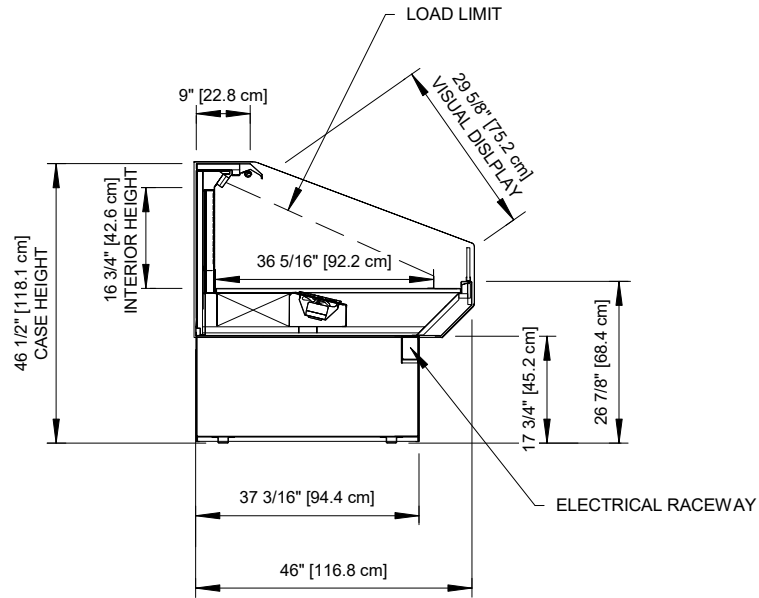


ENGINEERED FOR STORES WITH AMBIENT CONDITIONS NOT TO EXCEED 75° AND 55% RELATIVE HUMIDITY. DUE TO ENGINEERING IMPROVEMENTS SPECIFICATIONS MAY CHANGE WITHOUT NOTICE. ALL MEASUREMENTS ARE TAKEN PER ASHRAE-72 SPECIFICATIONS. HILLPHOENIX REFRIGERATED DISPLAY CASES FOR SALE IN THE UNITED STATES MEET OR EXCEED DEPARTMENT OF ENERGY 2017 REQUIREMENTS. NUMBERS ARE BASED ON STANDARD CASE SIZES. CONSULT ENGINEERING.

HS-SC

Rev. Date	Rev. #	Rev. Title
06-08-23	1	NEW STANDARDS



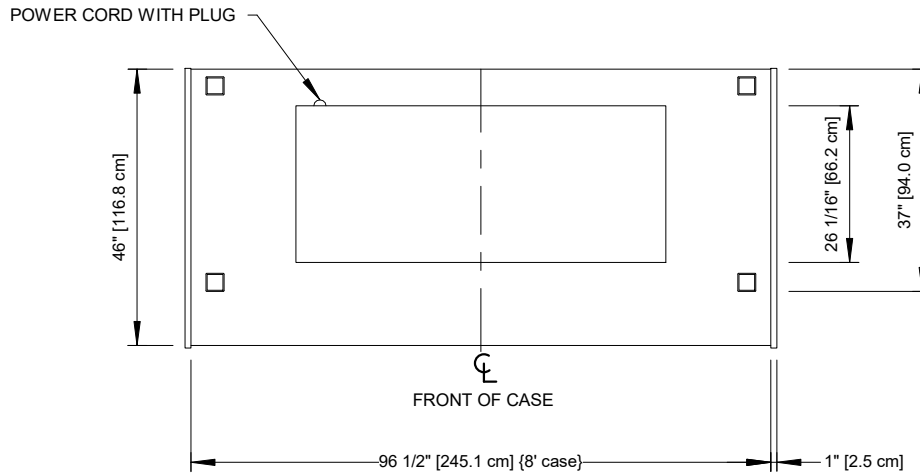
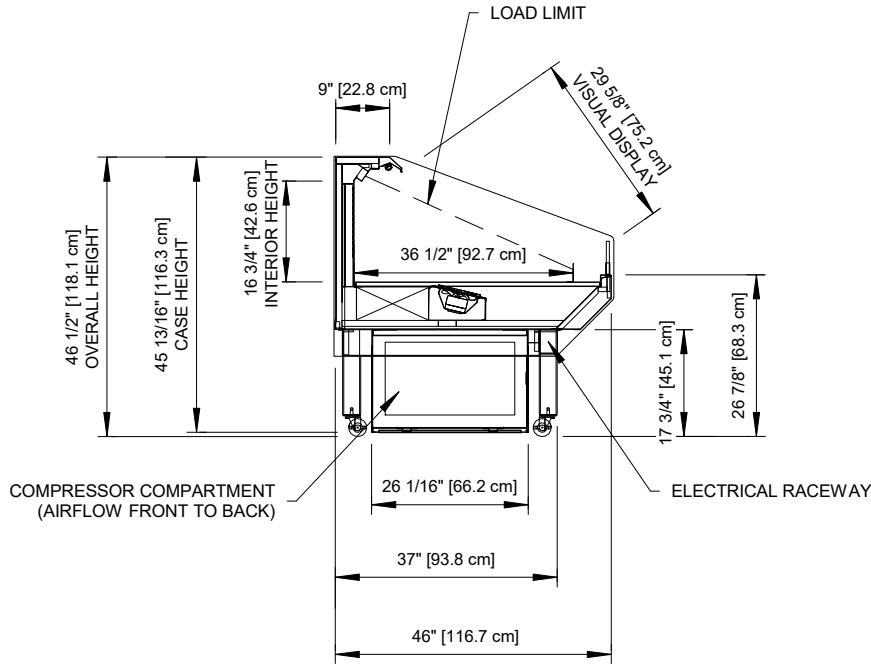


ENGINEERED FOR STORES WITH AMBIENT CONDITIONS NOT TO EXCEED 75° AND 55% RELATIVE HUMIDITY. DUE TO ENGINEERING IMPROVEMENTS SPECIFICATIONS MAY CHANGE WITHOUT NOTICE. ALL MEASUREMENTS ARE TAKEN PER ASHRAE-72 SPECIFICATIONS. HILLPHOENIX REFRIGERATED DISPLAY CASES FOR SALE IN THE UNITED STATES MEET OR EXCEED DEPARTMENT OF ENERGY 2017 REQUIREMENTS. NUMBERS ARE BASED ON STANDARD CASE SIZES. CONSULT ENGINEERING.

HS-SC

Rev. Date	Rev. #	Rev. Title
06-08-23	1	NEW STANDARDS





Intertek Intertek

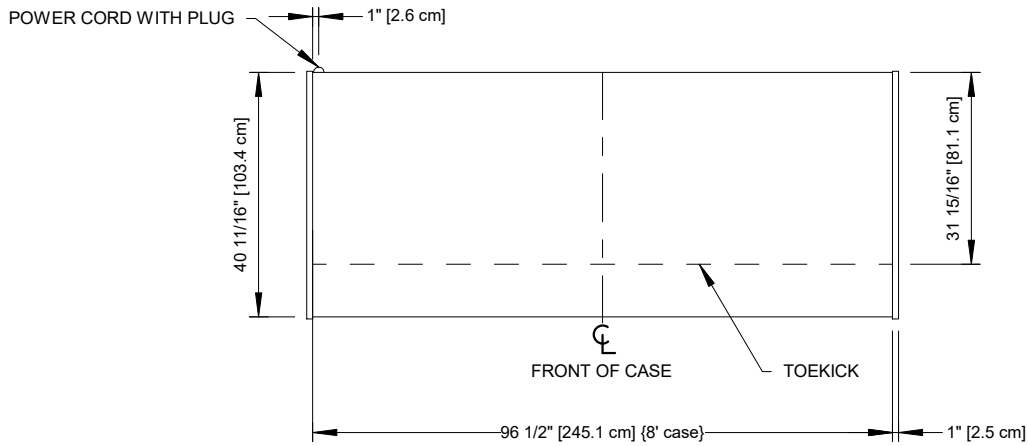
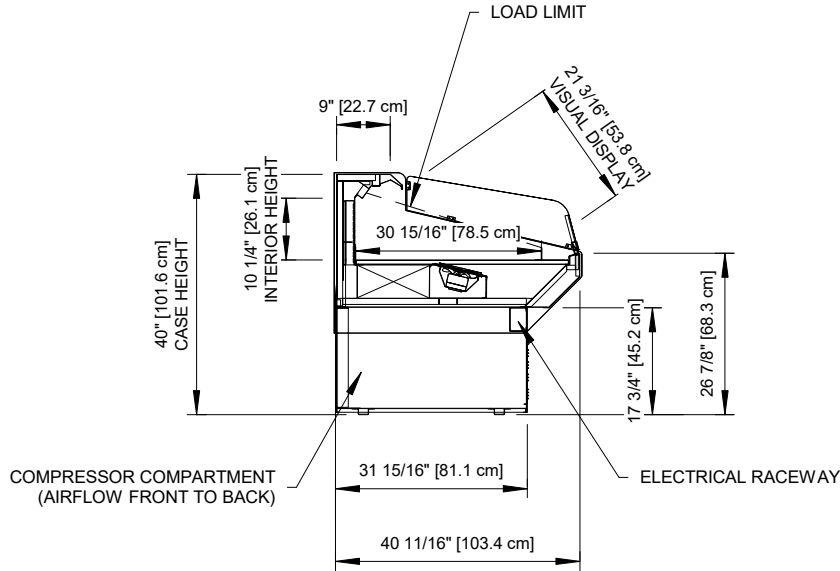
ENGINEERED FOR STORES WITH AMBIENT CONDITIONS NOT TO EXCEED 75° AND 55% RELATIVE HUMIDITY. DUE TO ENGINEERING IMPROVEMENTS SPECIFICATIONS MAY CHANGE WITHOUT NOTICE. ALL MEASUREMENTS ARE TAKEN PER ASHRAE-72 SPECIFICATIONS. HILLPHOENIX REFRIGERATED DISPLAY CASES FOR SALE IN THE UNITED STATES MEET OR EXCEED DEPARTMENT OF ENERGY 2017 REQUIREMENTS. NUMBERS ARE BASED ON STANDARD CASE SIZES. CONSULT ENGINEERING.

HS-SC

Rev. Date	Rev. #	Rev. Title
06-08-23	1	NEW STANDARDS



a DOVER company



Intertek

Intertek

ENGINEERED FOR STORES WITH AMBIENT CONDITIONS NOT TO EXCEED 75° AND 55% RELATIVE HUMIDITY. DUE TO ENGINEERING IMPROVEMENTS SPECIFICATIONS MAY CHANGE WITHOUT NOTICE. ALL MEASUREMENTS ARE TAKEN PER ASHRAE-72 SPECIFICATIONS. HILLPHOENIX REFRIGERATED DISPLAY CASES FOR SALE IN THE UNITED STATES MEET OR EXCEED DEPARTMENT OF ENERGY 2017 REQUIREMENTS. NUMBERS ARE BASED ON STANDARD CASE SIZES. CONSULT ENGINEERING.

HS-SC

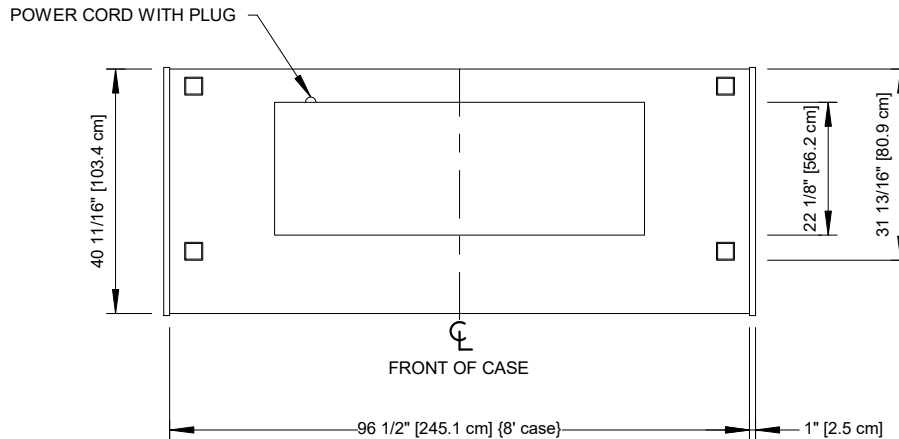
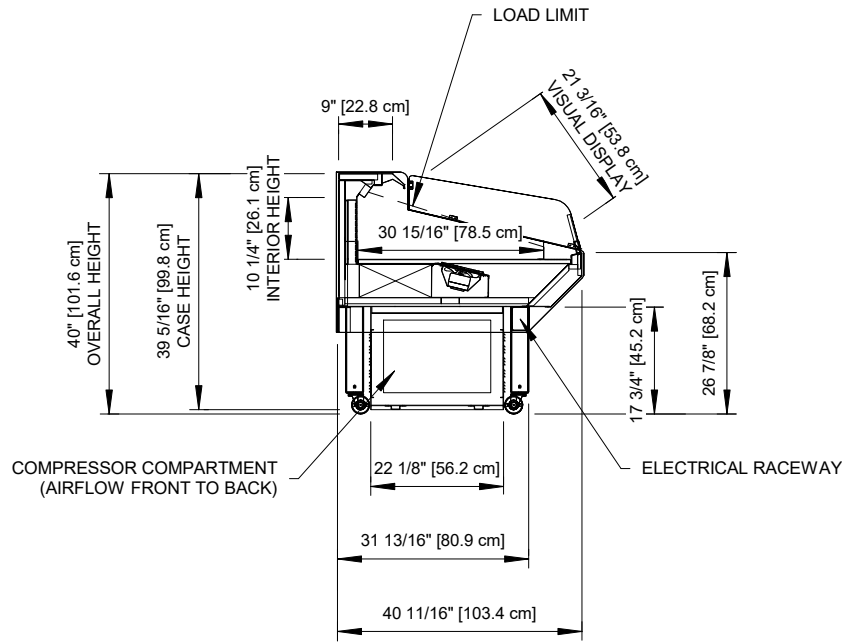
Rev. Date	Rev. #	Rev. Title
06-08-23	1	NEW STANDARDS



a DOVER company

HS-SC

Self-Service Open Single-Deck Base Mobile Merchandiser 8' (Bakery/Beverage/Cheese/Deli/Meat/Produce)



Intertek Intertek

ENGINEERED FOR STORES WITH AMBIENT CONDITIONS NOT TO EXCEED 75° AND 55% RELATIVE HUMIDITY. DUE TO ENGINEERING IMPROVEMENTS SPECIFICATIONS MAY CHANGE WITHOUT NOTICE. ALL MEASUREMENTS ARE TAKEN PER ASHRAE-72 SPECIFICATIONS. HILLPHOENIX REFRIGERATED DISPLAY CASES FOR SALE IN THE UNITED STATES MEET OR EXCEED DEPARTMENT OF ENERGY 2017 REQUIREMENTS. NUMBERS ARE BASED ON STANDARD CASE SIZES. CONSULT ENGINEERING.

HS-SC

Rev. Date	Rev. #	Rev. Title
06-08-23	1	NEW STANDARDS



a DOVER company