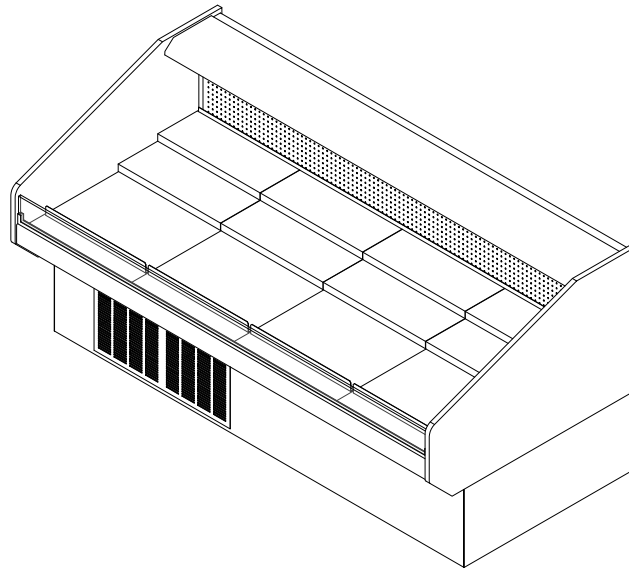


HSC-SC

Self-Service Open Single-Deck Enclosed Base Mobile Merchandiser
2', 4', 6' & 8' (Bakery/Beverage/Cheese/Deli/Meat/Produce)

GENERAL NOTES:

- "---" Indicates that the feature is not an option on this case model and/or the data is not yet available at this time.



SHIPPING WEIGHT	
Case	Weight
HSC-SC	---



ENGINEERED FOR STORES WITH AMBIENT CONDITIONS NOT TO EXCEED 75° AND 55% RELATIVE HUMIDITY. DUE TO ENGINEERING IMPROVEMENTS SPECIFICATIONS MAY CHANGE WITHOUT NOTICE. ALL MEASUREMENTS ARE TAKEN PER ASHRAE-72 SPECIFICATIONS. HILLPHOENIX REFRIGERATED DISPLAY CASES FOR SALE IN THE UNITED STATES MEET OR EXCEED DEPARTMENT OF ENERGY 2017 REQUIREMENTS. NUMBERS ARE BASED ON STANDARD CASE SIZES. CONSULT ENGINEERING.

HSC-SC

Rev. Date	Rev. #	Rev. Title
03-15-22	3	DATA UPDATE
10-19-20	2	DATA UPDATE



SYSTEM REQUIREMENTS					
Case Length	Volts	Phase	Total Amps	Minimum Circuit Ampacity	Maximum Overcurrent Protection
2'	120	1	10.52	14	15
4'	120	1	11.85	15	20
6'	120	1	19.15	24	25
8'	120/208	1	14.56	19	20

ELECTRICAL DATA												
Case Length	Fans Per Case	High Efficiency Fans		Anti-Condensate Fans		Drain Pumps		Evaporator Pan Heaters			Auxiliary Fans	
		120 Volts		120 Volts		120 Volts		Volts	Amps	Watts	120 Volts	
		Amps	Watts	Amps	Watts	Amps	Watts				Amps	Watts
2'	1	0.30	36	---	---	---	---	120	5.00	600	---	---
4'	2	0.60	72	---	---	---	---	120	5.00	600	---	---
6'	2	0.60	72	---	---	---	---	120	8.30	1000	---	---
8'	3	0.90	108	---	---	---	---	208	4.20	1500	---	---

LIGHTING DATA						
Case Length	Lights Per Row	Light Length	Clearvoyant 4 LED Lighting (Per Light Row)			
			Standard Power (Cornice or Shelf)		High Power (Cornice)	
			120 Volts		120 Volts	
			Amps	Watts	Amps	Watts
2'	1	2'	0.03	3.1	0.06	7.8
4'	1	4'	0.05	5.9	0.12	14.9
6'	2	3'	0.08	9.4	0.20	23.8
8'	2	4'	0.10	11.8	0.24	29.8

GUIDELINES AND CONTROL SETTINGS				
24hr Energy Usage (kWh/ft)	Suction Temperature @ Case Outlet (°F)	Superheat Set Point @ Bulb (°F)	Discharge Air (°F)	Discharge Air Velocity (FPM)
---	+20	10 - 12	32 - 36	220

NOTES:

- "----" Indicates that the feature is not an option on this case model and/or the data is not yet available at this time.
- Listed discharge air velocity represents the average velocity at the peak of defrost.
- RLA - Running Load Amps
- LRA - Locked Rotor Amps



ENGINEERED FOR STORES WITH AMBIENT CONDITIONS NOT TO EXCEED 75° AND 55% RELATIVE HUMIDITY. DUE TO ENGINEERING IMPROVEMENTS SPECIFICATIONS MAY CHANGE WITHOUT NOTICE. ALL MEASUREMENTS ARE TAKEN PER ASHRAE-72 SPECIFICATIONS. HILLPHOENIX REFRIGERATED DISPLAY CASES FOR SALE IN THE UNITED STATES MEET OR EXCEED DEPARTMENT OF ENERGY 2017 REQUIREMENTS. NUMBERS ARE BASED ON STANDARD CASE SIZES. CONSULT ENGINEERING.

HSC-SC

Rev. Date	Rev. #	Rev. Title
03-15-22	3	DATA UPDATE
10-19-20	2	DATA UPDATE



HSC-SC

Self-Service Open Single-Deck Enclosed Base Mobile Merchandiser
2', 4', 6' & 8' (Bakery/Beverage/Cheese/Deli/Meat/Produce)

CONDENSING UNIT DATA									
Case Length	Volts	Phase	HP	RLA (Amps)	LRA (Amps)	Refrig.	Condenser Fans		Lbs. of Refriger.
							Amps	Watts	
2'	115	1	1/4	4.8	34.0	448a	0.36	41.0	2.1
4'	115	1	1/2	7.5	42.0	448a	0.53	61.0	2.8
6'	115	1	3/4	15.0	70.0	448a	1.70	170.0	4.4
8'	208	1	3/4	9.0	43.0	448a	0.82	135.0	5.1

DEFROST CONTROLS									
Case Length	Defrosts Per Day	Run-Off Time (Min)	Electric Defrost		Timed-Off Defrost		Hot Gas Defrost		
			Fail-Safe (Min)	Termination Temp (°F)	Fail Safe (Min)	Termination Temp (°F)	Fail-Safe (Min)	Termination Temp (°F)	
2'	4	---	---	---	45	42	---	---	
4'	4	---	---	---	45	42	---	---	
6'	4	---	---	---	45	42	---	---	
8'	4	---	---	---	45	45	---	---	



ENGINEERED FOR STORES WITH AMBIENT CONDITIONS NOT TO EXCEED 75° AND 55% RELATIVE HUMIDITY. DUE TO ENGINEERING IMPROVEMENTS SPECIFICATIONS MAY CHANGE WITHOUT NOTICE. ALL MEASUREMENTS ARE TAKEN PER ASHRAE-72 SPECIFICATIONS. HILLPHOENIX REFRIGERATED DISPLAY CASES FOR SALE IN THE UNITED STATES MEET OR EXCEED DEPARTMENT OF ENERGY 2017 REQUIREMENTS. NUMBERS ARE BASED ON STANDARD CASE SIZES. CONSULT ENGINEERING.

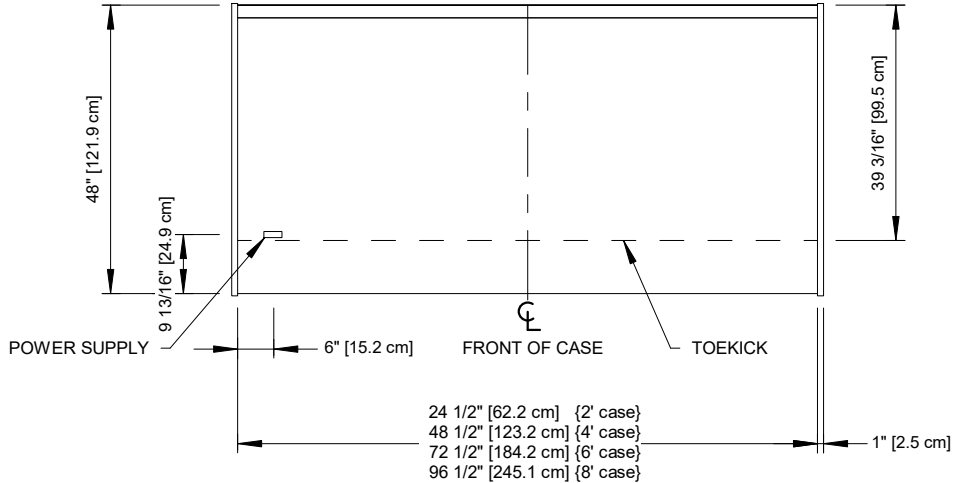
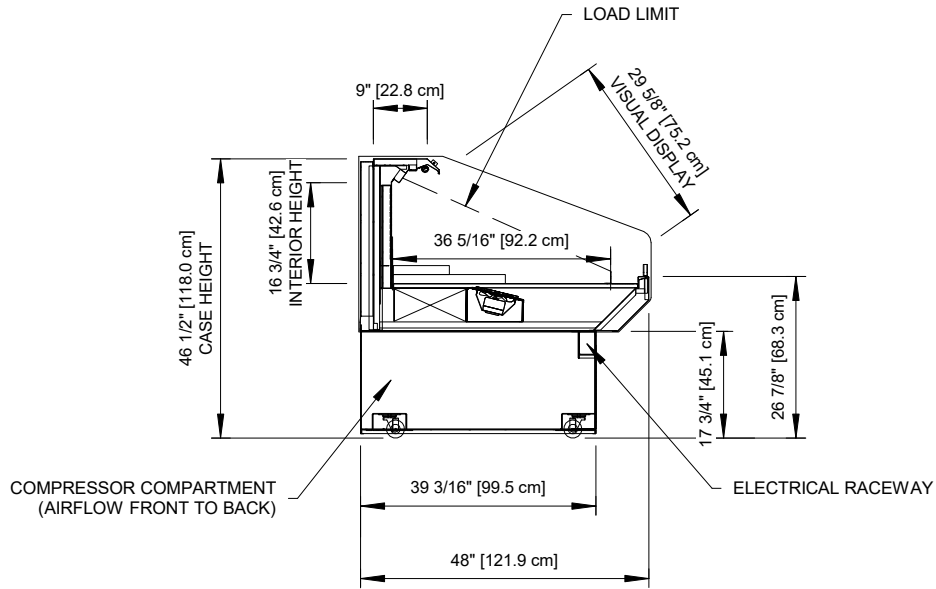
HSC-SC

Rev. Date	Rev. #	Rev. Title
03-15-22	3	DATA UPDATE
10-19-20	2	DATA UPDATE



HSC-SC

Self-Service Open Single-Deck Base Mobile Merchandiser
2', 4', 6' & 8' (Bakery/Beverage/Cheese/Deli/Meat/Produce)



ENGINEERED FOR STORES WITH AMBIENT CONDITIONS NOT TO EXCEED 75° AND 55% RELATIVE HUMIDITY. DUE TO ENGINEERING IMPROVEMENTS SPECIFICATIONS MAY CHANGE WITHOUT NOTICE. ALL MEASUREMENTS ARE TAKEN PER ASHRAE-72 SPECIFICATIONS. HILLPHOENIX REFRIGERATED DISPLAY CASES FOR SALE IN THE UNITED STATES MEET OR EXCEED DEPARTMENT OF ENERGY 2017 REQUIREMENTS. NUMBERS ARE BASED ON STANDARD CASE SIZES. CONSULT ENGINEERING.

HSC-SC

Rev. Date	Rev. #	Rev. Title
03-15-22	3	DATA UPDATE
10-19-20	2	DATA UPDATE

