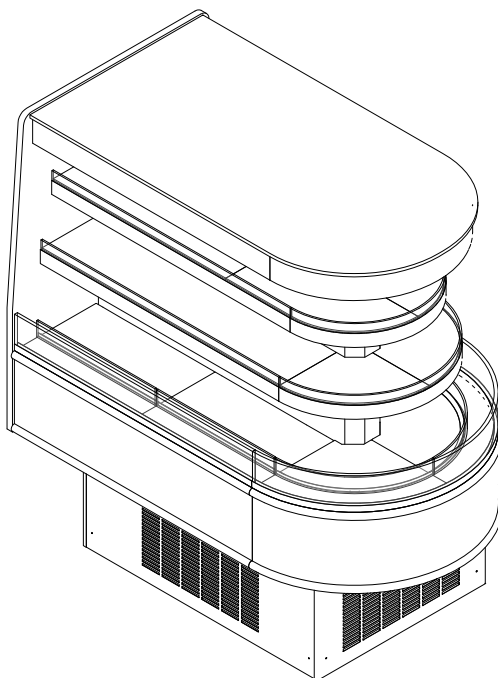


# HVI-3-304S/305S-EC

Self-Service Open Multi-Deck End Cap Island Merchandiser  
304 & 305 (Bakery/Beverage/Deli/Produce)

## GENERAL NOTES:

- "---" Indicates that the feature is not an option on this case model and/or the data is not yet available at this time.
- (SFC) Small Format Channel offering is wired for undershelf lighting.



SHIPPING WEIGHT	
Case	Weight
HVI-3-304S/305S-EC	---

2017  
**DOE**  
COMPLIANT



Intertek

Intertek

ENGINEERED FOR STORES WITH AMBIENT CONDITIONS NOT TO EXCEED 75° AND 55% RELATIVE HUMIDITY. DUE TO ENGINEERING IMPROVEMENTS SPECIFICATIONS MAY CHANGE WITHOUT NOTICE. ALL MEASUREMENTS ARE TAKEN PER ASHRAE-72 SPECIFICATIONS. HILLPHOENIX REFRIGERATED DISPLAY CASES FOR SALE IN THE UNITED STATES MEET OR EXCEED DEPARTMENT OF ENERGY 2017 REQUIREMENTS. NUMBERS ARE BASED ON STANDARD CASE SIZES. CONSULT ENGINEERING.

## HVI-3-304S/305S-EC

Rev. Date	Rev. #	Rev. Title
03-15-22	3	DATA UPDATE
09-24-21	2	DATA UPDATE

Clearvoyant™  
LED SYSTEM

**Hillphoenix**  
a **DOVER** company

# HVI-3-304S/305S-EC

Self-Service Open Multi-Deck End Cap Merchandiser  
304 & 305 (Bakery/Beverage/Deli/Produce)

SYSTEM REQUIREMENTS					
Case Length	Volts	Phase	Total Amps	Minimum Circuit Ampacity	Maximum Overcurrent Protection
304	120/208	1	16.21/14.64	20	25
305	120/208	1	16.21/14.64	20	25

ELECTRICAL DATA											
Case Length	Fans Per Case	High Efficiency Fans		Anti-Condensate Fans		Drain Pumps		Evaporator Pan Heaters		Auxiliary Fans	
		120 Volts		120 Volts		120 Volts		208 Volts		120 Volts	
		Amps	Watts	Amps	Watts	Amps	Watts	Amps	Watts	Amps	Watts
304	4	1.20	144	---	---	---	---	7.20	1500.0	---	---
305	4	1.20	144	---	---	---	---	7.20	1500.0	---	---

LIGHTING DATA							
Case Length	Light Length (Lights Per Row)	Clearvoyant 4 LED Lighting (Per Light Row)			Light Length (Lights Per Row)	Clearvoyant 4 LED Lighting (Per Light Row)	
		Standard Power (Cornice)				Standard Power (Shelf)	
		120 Volts				120 Volts	
		Amps	Watts		Amps	Watts	
304	8.5'	0.13	14.2	8'	0.12	13.2	
305	8.5'	0.13	14.2	8.5'	0.13	14.2	

GUIDELINES AND CONTROL SETTINGS				
24hr Energy Usage (kWh/ft)	Suction Temperature @ Case Outlet (°F)	Superheat Set Point @ Bulb (°F)	Discharge Air (°F)	Discharge Air Velocity (FPM)
---	26	10	32	150

CONDENSING UNIT DATA									
Case Length	Volts	Phase	HP	RLA (Amps)	LRA (Amps)	Refrig.	Condenser Fans		Lbs. of Refriger.
							Amps	Watts	
304	208	1	1.5	6.70	51.00	404a	0.74	35	5.2
305	208	1	1.5	6.70	51.00	404a	0.74	35	5.2

## NOTES:

- "----" Indicates that the feature is not an option on this case model and/or the data is not yet available at this time.
- Listed discharge air velocity represents the average velocity at the peak of defrost.
- RLA - Running Load Amps
- LRA - Locked Rotor Amps



ENGINEERED FOR STORES WITH AMBIENT CONDITIONS NOT TO EXCEED 75° AND 55% RELATIVE HUMIDITY. DUE TO ENGINEERING IMPROVEMENTS SPECIFICATIONS MAY CHANGE WITHOUT NOTICE. ALL MEASUREMENTS ARE TAKEN PER ASHRAE-72 SPECIFICATIONS. HILLPHOENIX REFRIGERATED DISPLAY CASES FOR SALE IN THE UNITED STATES MEET OR EXCEED DEPARTMENT OF ENERGY 2017 REQUIREMENTS. NUMBERS ARE BASED ON STANDARD CASE SIZES. CONSULT ENGINEERING.

## HVI-3-304S/305S-EC

Rev. Date	Rev. #	Rev. Title
03-15-22	3	DATA UPDATE
09-24-21	2	DATA UPDATE



# HVI-3-304S/305S-EC

Self-Service Open Multi-Deck End Cap Island Merchandiser  
304 & 305 (Bakery/Beverage/Deli/Produce)

DEFROST CONTROLS							
Defrosts Per Day	Run-Off Time (Min)	Electric Defrost		Timed-Off Defrost		Hot Gas Defrost	
		Fail-Safe (Min)	Termination Temp (°F)	Fail-Safe (Min)	Termination Temp (°F)	Fail-Safe (Min)	Termination Temp (°F)
6	---	---	---	30	42	---	---

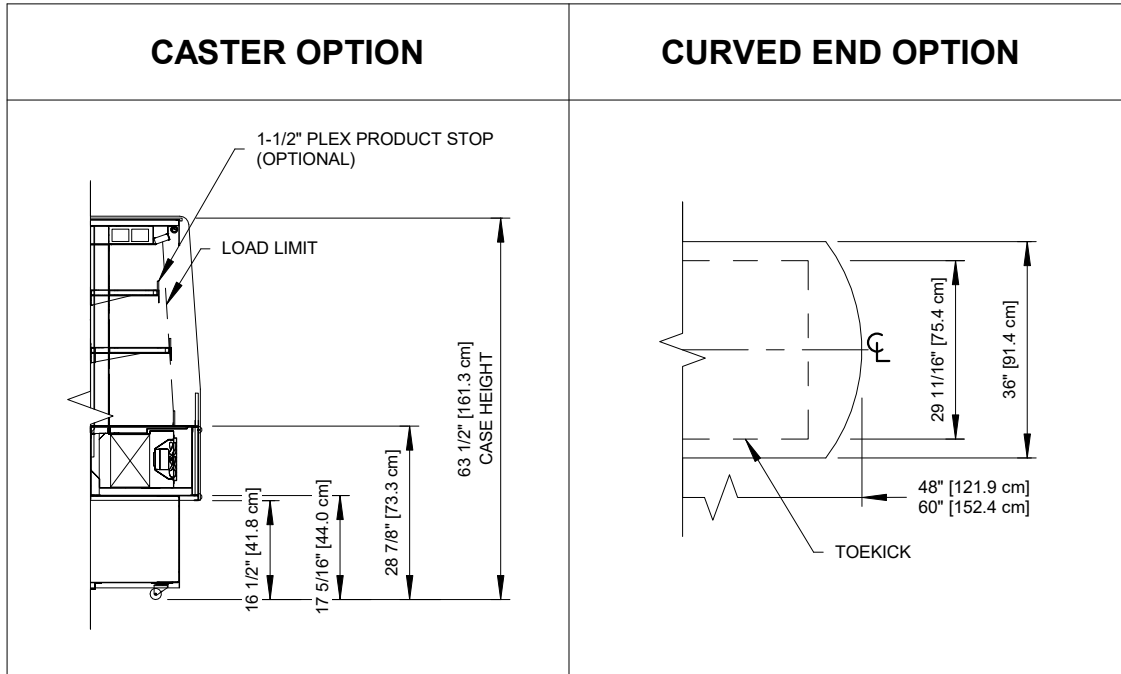


ENGINEERED FOR STORES WITH AMBIENT CONDITIONS NOT TO EXCEED 75° AND 55% RELATIVE HUMIDITY. DUE TO ENGINEERING IMPROVEMENTS SPECIFICATIONS MAY CHANGE WITHOUT NOTICE. ALL MEASUREMENTS ARE TAKEN PER ASHRAE-72 SPECIFICATIONS. HILLPHOENIX REFRIGERATED DISPLAY CASES FOR SALE IN THE UNITED STATES MEET OR EXCEED DEPARTMENT OF ENERGY 2017 REQUIREMENTS. NUMBERS ARE BASED ON STANDARD CASE SIZES. CONSULT ENGINEERING.

## HVI-3-304S/305S-EC

Rev. Date	Rev. #	Rev. Title
03-15-22	3	DATA UPDATE
09-24-21	2	DATA UPDATE





ENGINEERED FOR STORES WITH AMBIENT CONDITIONS NOT TO EXCEED 75° AND 55% RELATIVE HUMIDITY. DUE TO ENGINEERING IMPROVEMENTS SPECIFICATIONS MAY CHANGE WITHOUT NOTICE. ALL MEASUREMENTS ARE TAKEN PER ASHRAE-72 SPECIFICATIONS. HILLPHOENIX REFRIGERATED DISPLAY CASES FOR SALE IN THE UNITED STATES MEET OR EXCEED DEPARTMENT OF ENERGY 2017 REQUIREMENTS. NUMBERS ARE BASED ON STANDARD CASE SIZES. CONSULT ENGINEERING.

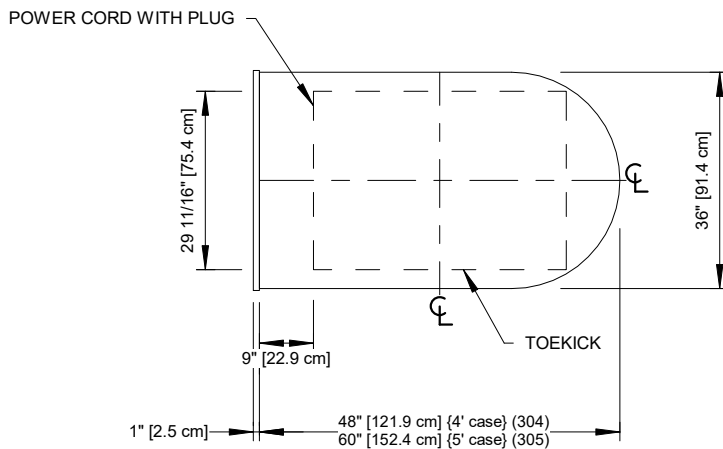
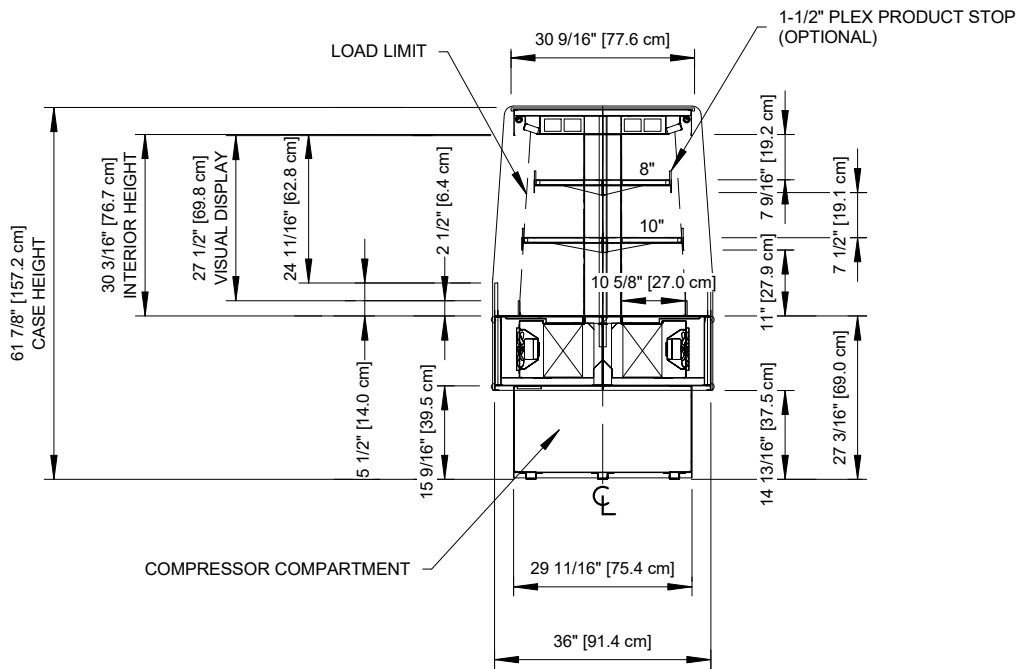
## HVI-3-304S/305S-EC

Rev. Date	Rev. #	Rev. Title
03-15-22	3	DATA UPDATE
09-24-21	2	DATA UPDATE



# HVI-3-304S/305S-EC

Self-Service Open Multi-Deck End Cap Merchandiser  
304 & 305 (Bakery/Beverage/Deli/Produce)



**NOTES:**

- Shown with the radius end.



Intertek Intertek

ENGINEERED FOR STORES WITH AMBIENT CONDITIONS NOT TO EXCEED 75° AND 55% RELATIVE HUMIDITY. DUE TO ENGINEERING IMPROVEMENTS SPECIFICATIONS MAY CHANGE WITHOUT NOTICE. ALL MEASUREMENTS ARE TAKEN PER ASHRAE-72 SPECIFICATIONS. HILLPHOENIX REFRIGERATED DISPLAY CASES FOR SALE IN THE UNITED STATES MEET OR EXCEED DEPARTMENT OF ENERGY 2017 REQUIREMENTS. NUMBERS ARE BASED ON STANDARD CASE SIZES. CONSULT ENGINEERING.

## HVI-3-304S/305S-EC

Rev. Date	Rev. #	Rev. Title
03-15-22	3	DATA UPDATE
09-24-21	2	DATA UPDATE

