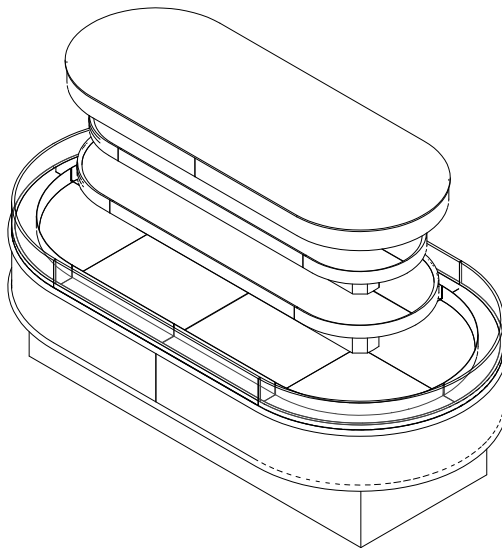


HVI-3-406R/408R

Self-Service Open Multi-Deck Island Merchandiser
406 & 408 (Bakery/Beverage/Deli/Produce)

GENERAL NOTES:

- "---" Indicates that the feature is not an option on this case model and/or the data is not yet available at this time.
- (SFC) Small Format Channel offering is wired for undershelf lighting.



SHIPPING WEIGHT	
Case	Weight
HVI-3-406R/408R	---



ENGINEERED FOR STORES WITH AMBIENT CONDITIONS NOT TO EXCEED 75° AND 55% RELATIVE HUMIDITY. DUE TO ENGINEERING IMPROVEMENTS SPECIFICATIONS MAY CHANGE WITHOUT NOTICE. ALL MEASUREMENTS ARE TAKEN PER ASHRAE-72 SPECIFICATIONS. HILLPHOENIX REFRIGERATED DISPLAY CASES FOR SALE IN THE UNITED STATES MEET OR EXCEED DEPARTMENT OF ENERGY 2017 REQUIREMENTS. NUMBERS ARE BASED ON STANDARD CASE SIZES. CONSULT ENGINEERING.

HVI-3-406R/408R

Rev. Date	Rev. #	Rev. Title
03-10-22	4	DATA UPDATE
05-14-21	3	DATA UPDATE



HVI-3-406R/408R

Self-Service Open Multi-Deck Island Merchandiser
406 & 408 (Bakery/Beverage/Deli/Produce)

ELECTRICAL DATA									
Case Length	Fans Per Case	High Efficiency Fans		Anti-Condensate Fans		Drain Heaters		Optional Defrost Heaters	
		120 Volts		120 Volts		120 Volts		208 Volts	
		Amps	Watts	Amps	Watts	Amps	Watts	Amps	Watts
406	4	1.2	1.44	---	---	---	---	---	---
408	6	1.8	2.16	---	---	---	---	---	---

LIGHTING DATA							
Case Length	Light Length (Lights Per Row)	Clearvoyant 4 LED Lighting (Per Light Row)			Clearvoyant 4 LED Lighting (Per Light Row)		
		Standard Power (Cornice)			Standard Power (Shelf)		
		120 Volts			120 Volts		
		Amps	Watts	Light Length (Lights Per Row)	Amps	Watts	Light Length (Lights Per Row)
406	(4) 6" + (4) 12" + (2) 24"	0.18	17.9	(6) 6" + (2) 24"	0.12	12.5	
408	(4) 6" + (4) 12" + (4) 24"	0.22	21.6	(6) 6" + (4) 24"	0.16	16.2	

GUIDELINES AND CONTROL SETTINGS (DX) {DIRECT EXPANSION HFC/CO2}						
Case Length	BTUHs		Superheat Set Point @ Bulb (°F)	Evaporator (°F)	Discharge Air (°F)	Discharge Air Velocity (FPM)
	Conventional	Parallel				
406	8707	7938	10 - 13	20	36	150
408	10100	11145	10 - 13	20	36	150

DEFROST CONTROLS {DIRECT EXPANSION HFC/CO2}							
Defrosts Per Day	Run-Off Time (Min)	Electric Defrost		Timed-Off Defrost		Hot Gas Defrost	
		Fail-Safe (Min)	Termination Temp (°F)	Fail-Safe (Min)	Termination Temp (°F)	Fail-Safe (Min)	Termination Temp (°F)
6	---	---	---	30	46	---	---

NOTES:

- "---" Indicates that the feature is not an option on this case model and/or the data is not yet available at this time.
- Listed discharge air velocity represents the average velocity at the peak of defrost.
- The HVI-3-406R was tested with rounded corners and no shelf lights in 2013.
- The HVI-3-408R data is preliminary.
- Discharge air temperature values represent readings taken within the upper air channel immediately behind/upstream of the honeycomb.

2017
DOE
COMPLIANT



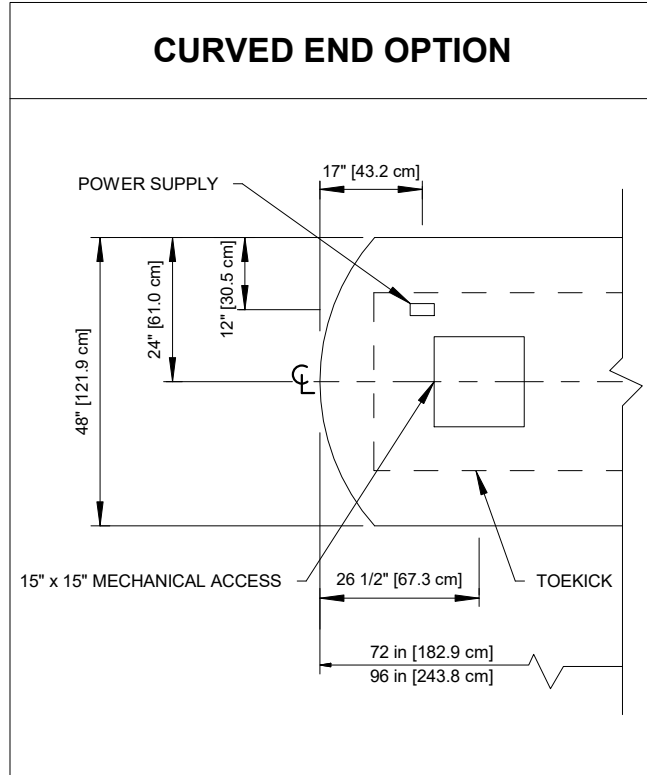
ENGINEERED FOR STORES WITH AMBIENT CONDITIONS NOT TO EXCEED 75° AND 55% RELATIVE HUMIDITY. DUE TO ENGINEERING IMPROVEMENTS SPECIFICATIONS MAY CHANGE WITHOUT NOTICE. ALL MEASUREMENTS ARE TAKEN PER ASHRAE-72 SPECIFICATIONS. HILLPHOENIX REFRIGERATED DISPLAY CASES FOR SALE IN THE UNITED STATES MEET OR EXCEED DEPARTMENT OF ENERGY 2017 REQUIREMENTS. NUMBERS ARE BASED ON STANDARD CASE SIZES. CONSULT ENGINEERING.

HVI-3-406R/408R

Rev. Date	Rev. #	Rev. Title
03-10-22	4	DATA UPDATE
05-14-21	3	DATA UPDATE

Clearvoyant
LED SYSTEM

Hillphoenix
a DOVER company



Intertek Intertek

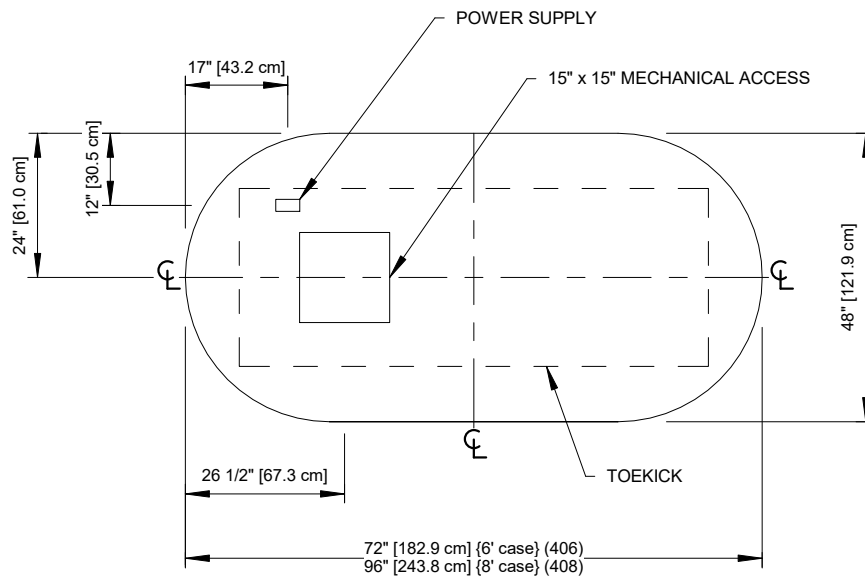
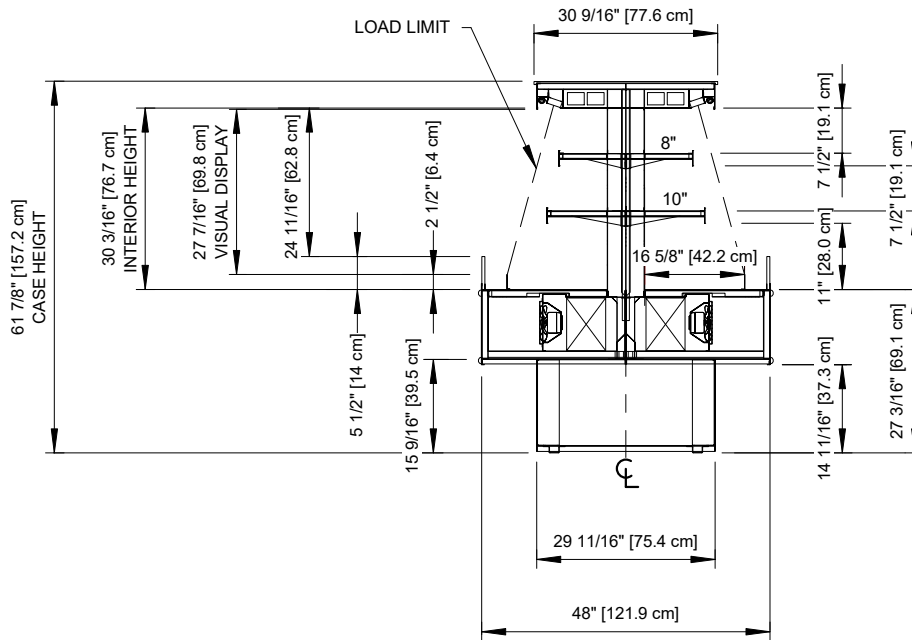
ENGINEERED FOR STORES WITH AMBIENT CONDITIONS NOT TO EXCEED 75° AND 55% RELATIVE HUMIDITY. DUE TO ENGINEERING IMPROVEMENTS SPECIFICATIONS MAY CHANGE WITHOUT NOTICE. ALL MEASUREMENTS ARE TAKEN PER ASHRAE-72 SPECIFICATIONS. HILLPHOENIX REFRIGERATED DISPLAY CASES FOR SALE IN THE UNITED STATES MEET OR EXCEED DEPARTMENT OF ENERGY 2017 REQUIREMENTS. NUMBERS ARE BASED ON STANDARD CASE SIZES. CONSULT ENGINEERING.

HVI-3-406R/408R

Rev. Date	Rev. #	Rev. Title
03-10-22	4	DATA UPDATE
05-14-21	3	DATA UPDATE



a DOVER company



NOTES:

- Shown with radius ends.



ENGINEERED FOR STORES WITH AMBIENT CONDITIONS NOT TO EXCEED 75° AND 55% RELATIVE HUMIDITY. DUE TO ENGINEERING IMPROVEMENTS SPECIFICATIONS MAY CHANGE WITHOUT NOTICE. ALL MEASUREMENTS ARE TAKEN PER ASHRAE-72 SPECIFICATIONS. HILLPHOENIX REFRIGERATED DISPLAY CASES FOR SALE IN THE UNITED STATES MEET OR EXCEED DEPARTMENT OF ENERGY 2017 REQUIREMENTS. NUMBERS ARE BASED ON STANDARD CASE SIZES. CONSULT ENGINEERING.

HVI-3-406R/408R

Rev. Date	Rev. #	Rev. Title
03-10-22	4	DATA UPDATE
05-14-21	3	DATA UPDATE

