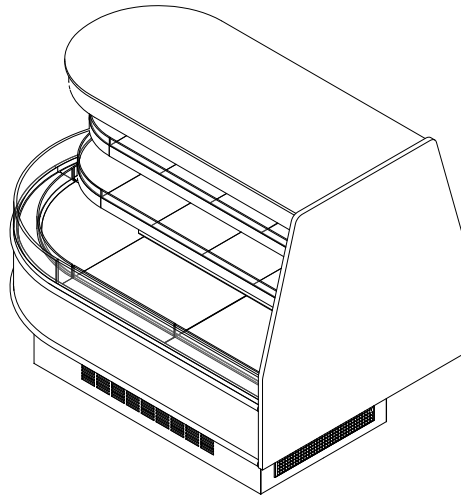


GENERAL NOTES:

- "---" Indicates that the feature is not an option on this case model and/or the data is not yet available at this time.
- (SFC) Small Format Channel offering is wired for undershelf lighting.



SHIPPING WEIGHT	
Case	Weight
HVI-3-406S-EC	---



ENGINEERED FOR STORES WITH AMBIENT CONDITIONS NOT TO EXCEED 75° AND 55% RELATIVE HUMIDITY. DUE TO ENGINEERING IMPROVEMENTS SPECIFICATIONS MAY CHANGE WITHOUT NOTICE. ALL MEASUREMENTS ARE TAKEN PER ASHRAE-72 SPECIFICATIONS. HILLPHOENIX REFRIGERATED DISPLAY CASES FOR SALE IN THE UNITED STATES MEET OR EXCEED DEPARTMENT OF ENERGY 2017 REQUIREMENTS. NUMBERS ARE BASED ON STANDARD CASE SIZES. CONSULT ENGINEERING.

HVI-3-406S-EC

Rev. Date	Rev. #	Rev. Title
03-15-22	2	DATA UPDATE
03-31-20	1	NEW STANDARDS



HVI-3-406S-EC

Self-Service Open Multi-Deck End Cap Beverage Dispenser
406 (Bakery/Beverage/Deli/Produce)

SYSTEM REQUIREMENTS					
Case Length	Volts	Phase	Total Amps	Minimum Circuit Ampacity	Maximum Overcurrent Protection
406	120/208	1	18.84/17.04	24	30

ELECTRICAL DATA											
Case Length	Fans Per Case	High Efficiency Fans		Anti-Condensate Fans		Drain Pumps		Evaporator Pan Heaters		Auxiliary Fans	
		120 Volts		120 Volts		120 Volts		208 Volts		120 Volts	
		Amps	Watts	Amps	Watts	Amps	Watts	Amps	Watts	Amps	Watts
406	4	1.20	144	---	---	---	---	7.20	1500	---	---

LIGHTING DATA							
Case Length	Light Length (Lights Per Row)	Clearvoyant 4 LED Lighting (Per Light Row)				Clearvoyant 4 LED Lighting (Per Light Row)	
		Standard Power (Cornice)				Standard Power (Shelf)	
		120 Volts				120 Volts	
		Amps	Watts	Amps	Watts	Amps	Watts
406	(2) 12" + (2) 48" + (1) 6"	0.15	16.6	(2) 12" + (2) 48"	0.14	16.6	

GUIDELINES AND CONTROL SETTINGS				
24hr Energy Usage (kWh/ft)	Suction Temperature @ Case Outlet (°F)	Superheat Set Point @ Bulb (°F)	Discharge Air (°F)	Discharge Air Velocity (FPM)
---	55.3	10	28	150

CONDENSING UNIT DATA									
Case Length	Volts	Phase	HP	RLA (Amps)	LRA (Amps)	Refrig.	Condenser Fans		Lbs. of Refriger.
							Amps	Watts	
406	208	1	2	9.10	55	404a	35.0	35.0	5.2

DEFROST CONTROLS								
	Defrosts Per Day	Run-Off Time (Min)	Electric Defrost		Timed-Off Defrost		Hot Gas Defrost	
			Fail-Safe (Min)	Termination Temp (°F)	Fail Safe (Min)	Termination Temp (°F)	Fail-Safe (Min)	Termination Temp (°F)
Radius End	6	---	---	---	30	42	---	---
Curved End	12	---	---	---	45	42	---	---

NOTES:

- "----" Indicates that the feature is not an option on this case model and/or the data is not yet available at this time.
- Listed discharge air velocity represents the average velocity at the peak of defrost.
- RLA - Running Load Amps
- LRA - Locked Rotor Amps

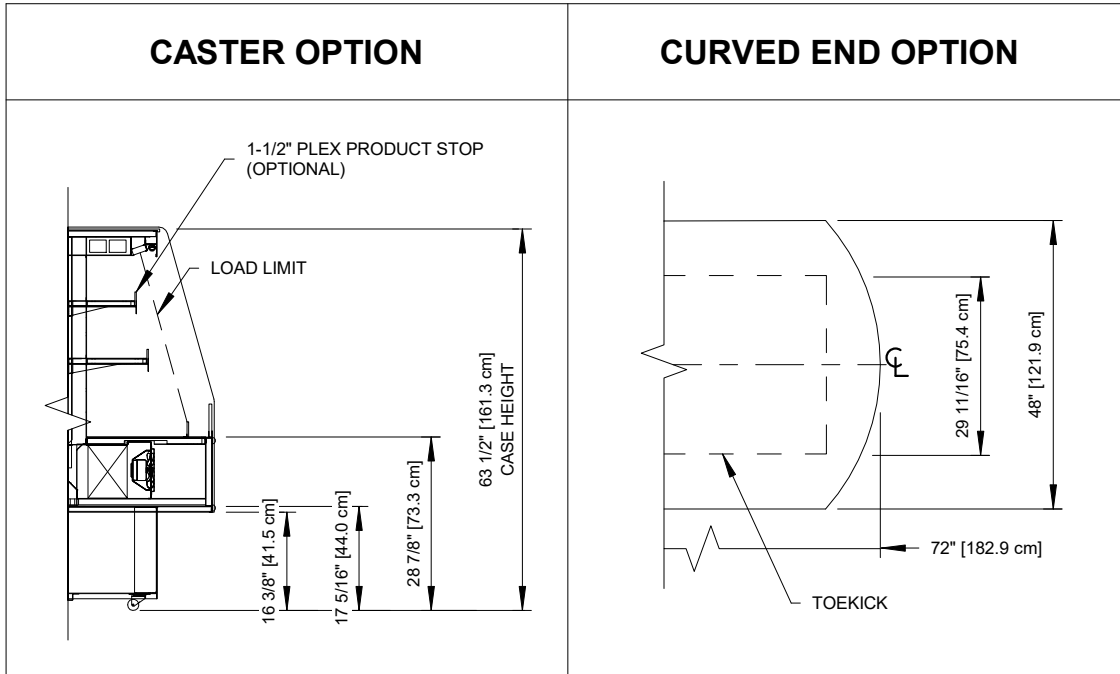


ENGINEERED FOR STORES WITH AMBIENT CONDITIONS NOT TO EXCEED 75° AND 55% RELATIVE HUMIDITY. DUE TO ENGINEERING IMPROVEMENTS SPECIFICATIONS MAY CHANGE WITHOUT NOTICE. ALL MEASUREMENTS ARE TAKEN PER ASHRAE-72 SPECIFICATIONS. HILLPHOENIX REFRIGERATED DISPLAY CASES FOR SALE IN THE UNITED STATES MEET OR EXCEED DEPARTMENT OF ENERGY 2017 REQUIREMENTS. NUMBERS ARE BASED ON STANDARD CASE SIZES. CONSULT ENGINEERING.

HVI-3-406S-EC

Rev. Date	Rev. #	Rev. Title
03-15-22	2	DATA UPDATE
03-31-20	1	NEW STANDARDS





ENGINEERED FOR STORES WITH AMBIENT CONDITIONS NOT TO EXCEED 75° AND 55% RELATIVE HUMIDITY. DUE TO ENGINEERING IMPROVEMENTS SPECIFICATIONS MAY CHANGE WITHOUT NOTICE. ALL MEASUREMENTS ARE TAKEN PER ASHRAE-72 SPECIFICATIONS. HILLPHOENIX REFRIGERATED DISPLAY CASES FOR SALE IN THE UNITED STATES MEET OR EXCEED DEPARTMENT OF ENERGY 2017 REQUIREMENTS. NUMBERS ARE BASED ON STANDARD CASE SIZES. CONSULT ENGINEERING.

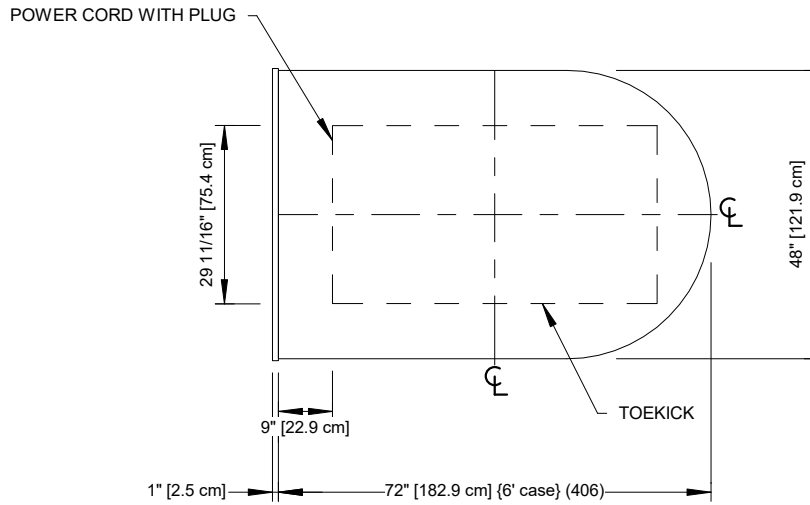
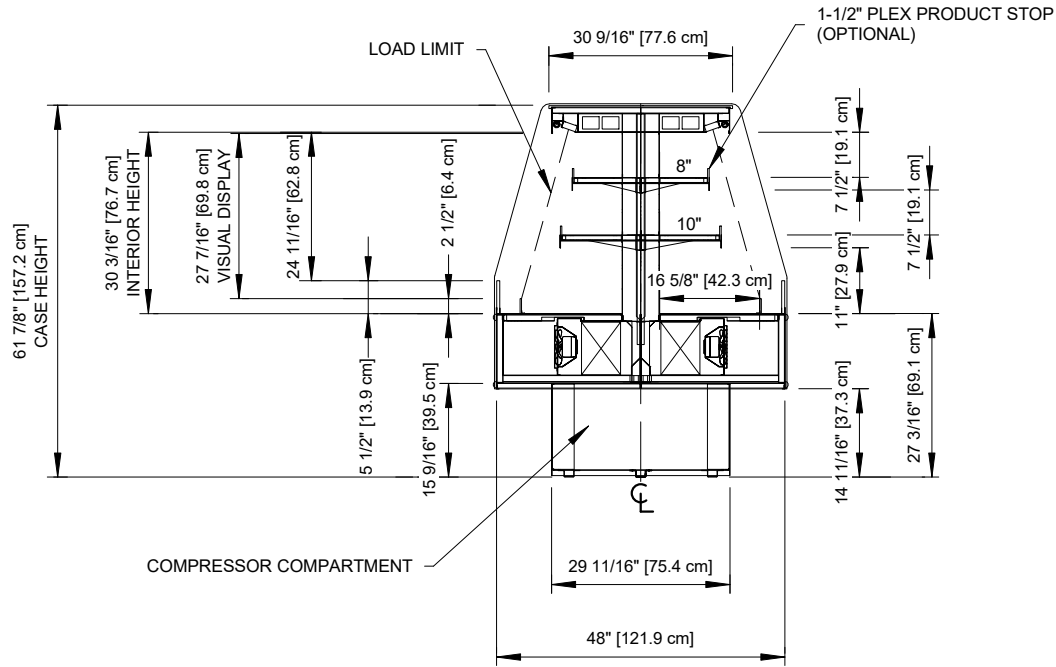
HVI-3-406S-EC

Rev. Date	Rev. #	Rev. Title
03-15-22	2	DATA UPDATE
03-31-20	1	NEW STANDARDS



HVI-3-406S-EC

Self-Service Open Multi-Deck End Cap Merchandiser
406 (Bakery/Beverage/Deli/Produce)



NOTES:

- Shown with radius end.



ENGINEERED FOR STORES WITH AMBIENT CONDITIONS NOT TO EXCEED 75° AND 55% RELATIVE HUMIDITY. DUE TO ENGINEERING IMPROVEMENTS SPECIFICATIONS MAY CHANGE WITHOUT NOTICE. ALL MEASUREMENTS ARE TAKEN PER ASHRAE-72 SPECIFICATIONS. HILLPHOENIX REFRIGERATED DISPLAY CASES FOR SALE IN THE UNITED STATES MEET OR EXCEED DEPARTMENT OF ENERGY 2017 REQUIREMENTS. NUMBERS ARE BASED ON STANDARD CASE SIZES. CONSULT ENGINEERING.

HVI-3-406S-EC

Rev. Date	Rev. #	Rev. Title
03-15-22	2	DATA UPDATE
03-31-20	1	NEW STANDARDS

