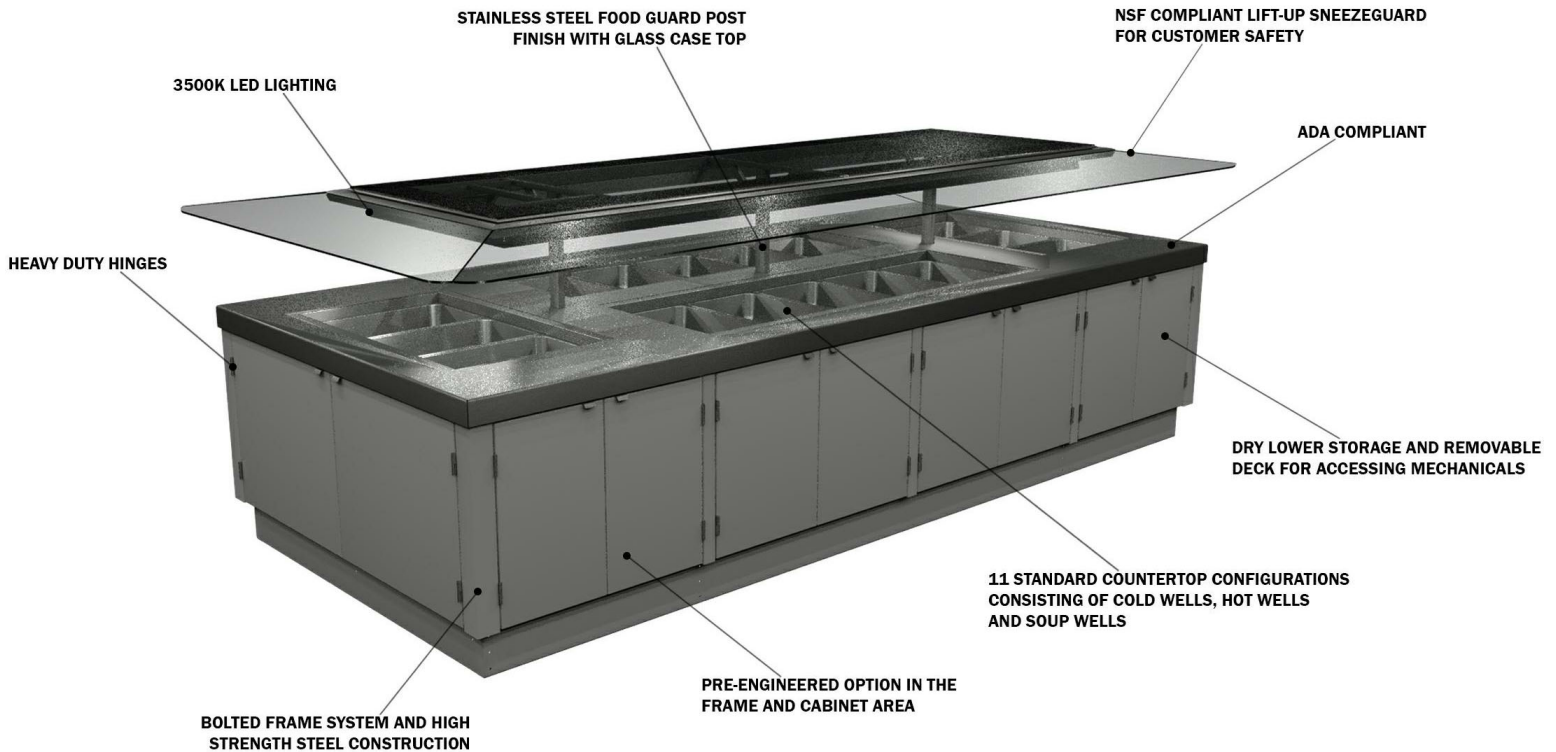


**GENERAL NOTES:**

- "---" Indicates that the feature is not an option on this case model and/or the data is not yet available at this time.



SHIPPING WEIGHT	
Case	Weight
MBI-512R-P1	---



ALL MEASUREMENTS ARE TAKEN PER ASHRAE-72-2005 SPECIFICATIONS. HILLPHOENIX REFRIGERATED DISPLAY CASES FOR SALE IN THE UNITED STATES MEET OR EXCEED DEPARTMENT OF ENERGY 2017 REQUIREMENTS.

## MBI-512R-P1

Rev. Date	Rev. #	Rev. Title
04-30-20	1	NEW STANDARDS



# MBI-512R-P1

Self-Service Open Salad Bar Island Merchandiser w/ Lower Storage  
12' (Deli)

MBI-1	
120-1-60	L-1
CW-EVAP FANS	1.8
LED LIGHTS	0.7
TOTAL AMPS	2.5
MCA	4
BTUs	4718
EVAP TEMP.	26°



COMPONENT

ALL MEASUREMENTS ARE TAKEN PER ASHRAE-72-2005 SPECIFICATIONS. HILLPHOENIX REFRIGERATED DISPLAY CASES FOR SALE IN THE UNITED STATES MEET OR EXCEED DEPARTMENT OF ENERGY 2017 REQUIREMENTS.

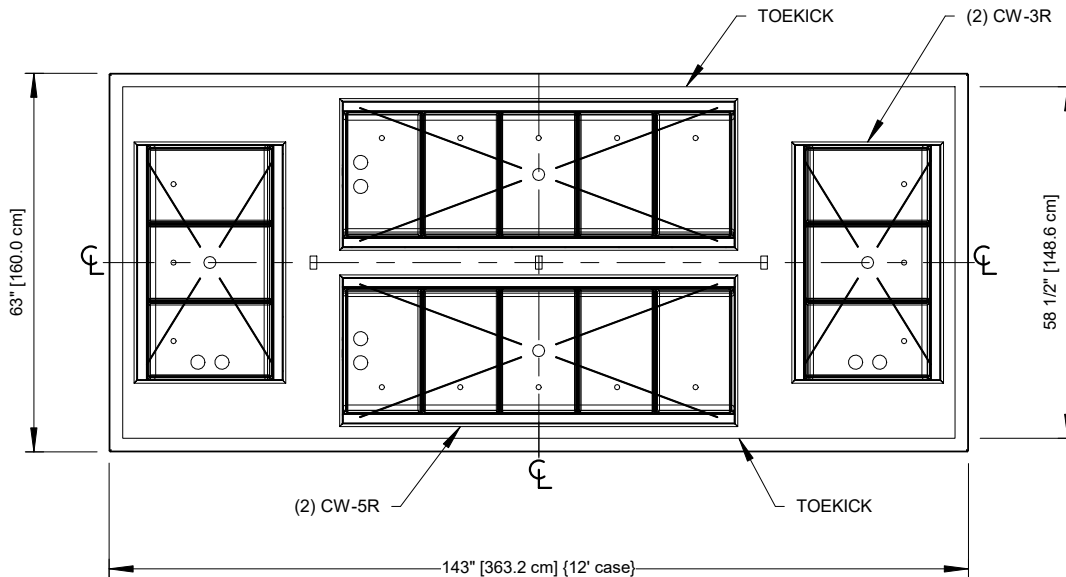
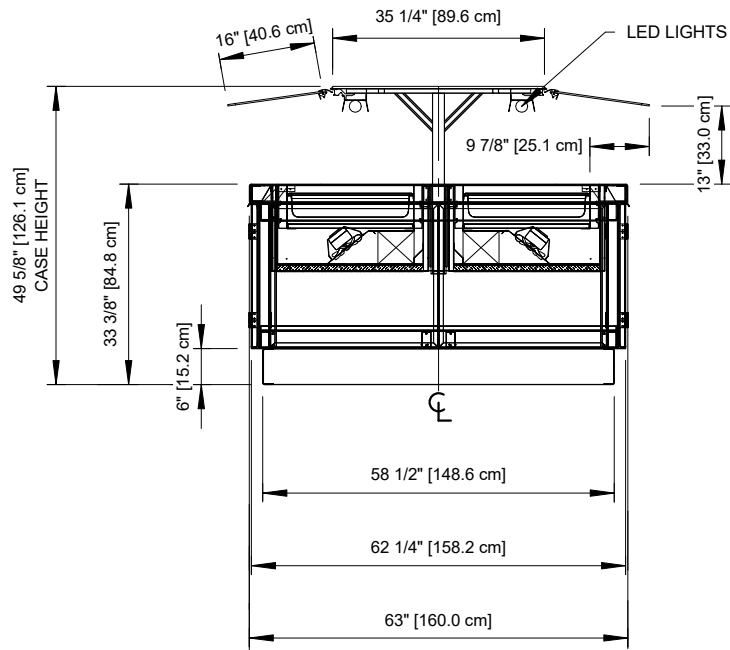
## MBI-512R-P1

Rev. Date	Rev. #	Rev. Title
04-30-20	1	NEW STANDARDS



# MBI-512R-P1

Self-Service Open Salad Bar Island Merchandiser w/ Lower Storage  
12' (Deli)



ALL MEASUREMENTS ARE TAKEN PER ASHRAE-72-2005 SPECIFICATIONS. HILLPHOENIX REFRIGERATED DISPLAY CASES FOR SALE IN THE UNITED STATES MEET OR EXCEED DEPARTMENT OF ENERGY 2017 REQUIREMENTS.

## MBI-512R-P1

Rev. Date	Rev. #	Rev. Title
04-30-20	1	NEW STANDARDS



A DOVER COMPANY