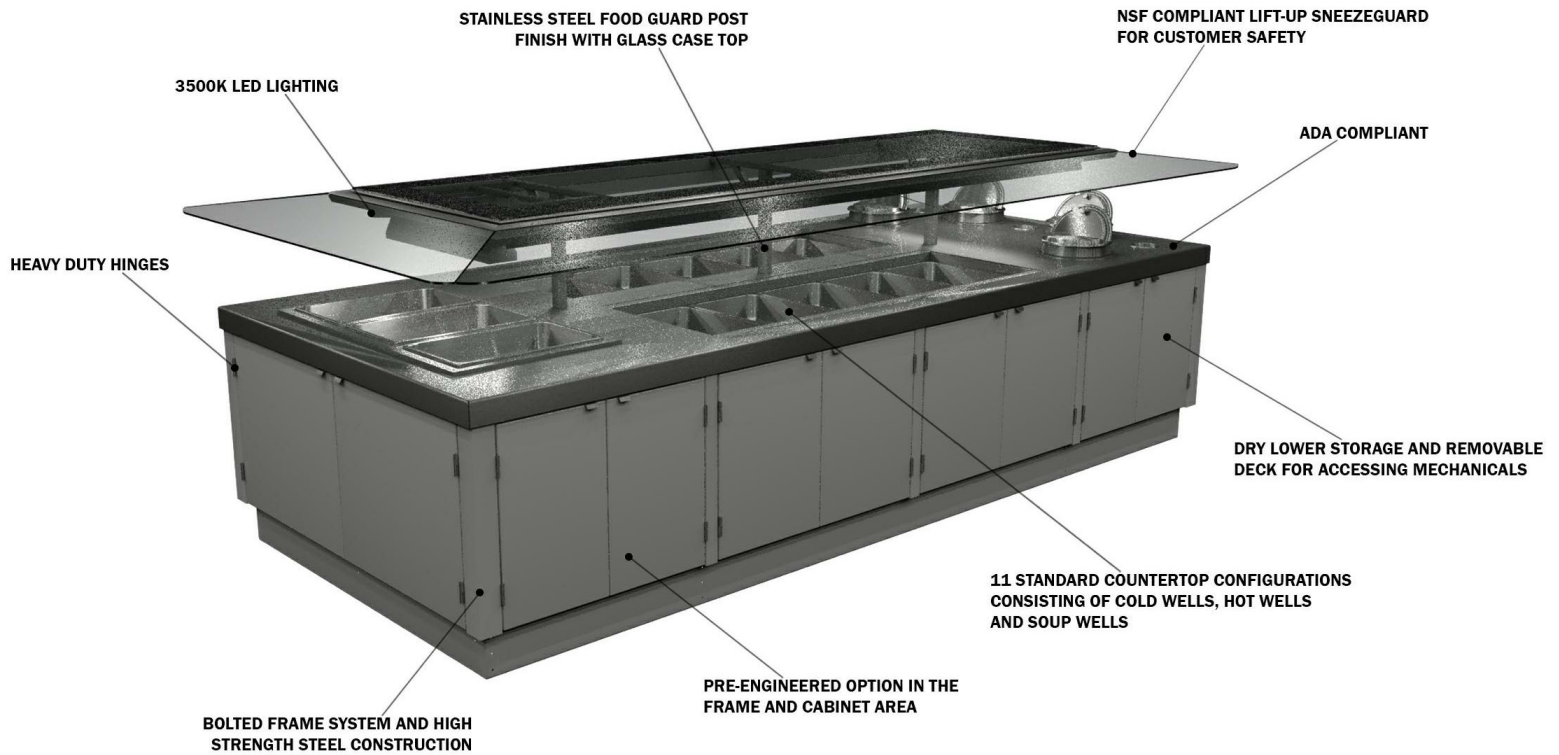


**GENERAL NOTES:**

- "---" Indicates that the feature is not an option on this case model and/or the data is not yet available at this time.



SHIPPING WEIGHT	
Case	Weight
MBI-512RH-P5	---



ALL MEASUREMENTS ARE TAKEN PER ASHRAE-72-2005 SPECIFICATIONS. HILLPHOENIX REFRIGERATED DISPLAY CASES FOR SALE IN THE UNITED STATES MEET OR EXCEED DEPARTMENT OF ENERGY 2017 REQUIREMENTS.

## MBI-512RH-P5

Rev. Date	Rev. #	Rev. Title
04-30-20	1	NEW STANDARDS



# MBI-512RH-P5

Self-Service Open Salad Bar Island Merchandiser w/ Lower Storage  
12' (Deli)

MBI-05		
120/208-1-60	L-1	L-2
CW-EVAP FANS	1.2	
LED LIGHTS	0.6	
TOP HEAT (2) 400W	3.85	3.85
TOP LIGHTS (3) 40W		1
CONTROL FAN	0.11	0.11
HWBH-11QT (4)	13.6	13.6
HWBI-3MA	17.4	17.4
TOTAL AMPS	36.76	35.96
MCA	46	
BTUs	2892	
EVAP TEMP.	26°	

MBI-05			
120/208-3-60	L-1	L-2	L-3
CW-EVAP FANS	1.2		
LED LIGHTS	0.6		
TOP HEAT (2) 400W	3.85	3.85	
TOP LIGHTS (3) 40W		1	
CONTROL FAN	0.11	0.11	
HWBH-11QT (4)		13.6	13.6
HWBI-3MA	17.4		17.4
TOTAL AMPS	23.16	18.56	31
MCA	39		
BTUs	2892		
EVAP TEMP.	26°		



ALL MEASUREMENTS ARE TAKEN PER ASHRAE-72-2005 SPECIFICATIONS. HILLPHOENIX REFRIGERATED DISPLAY CASES FOR SALE IN THE UNITED STATES MEET OR EXCEED DEPARTMENT OF ENERGY 2017 REQUIREMENTS.

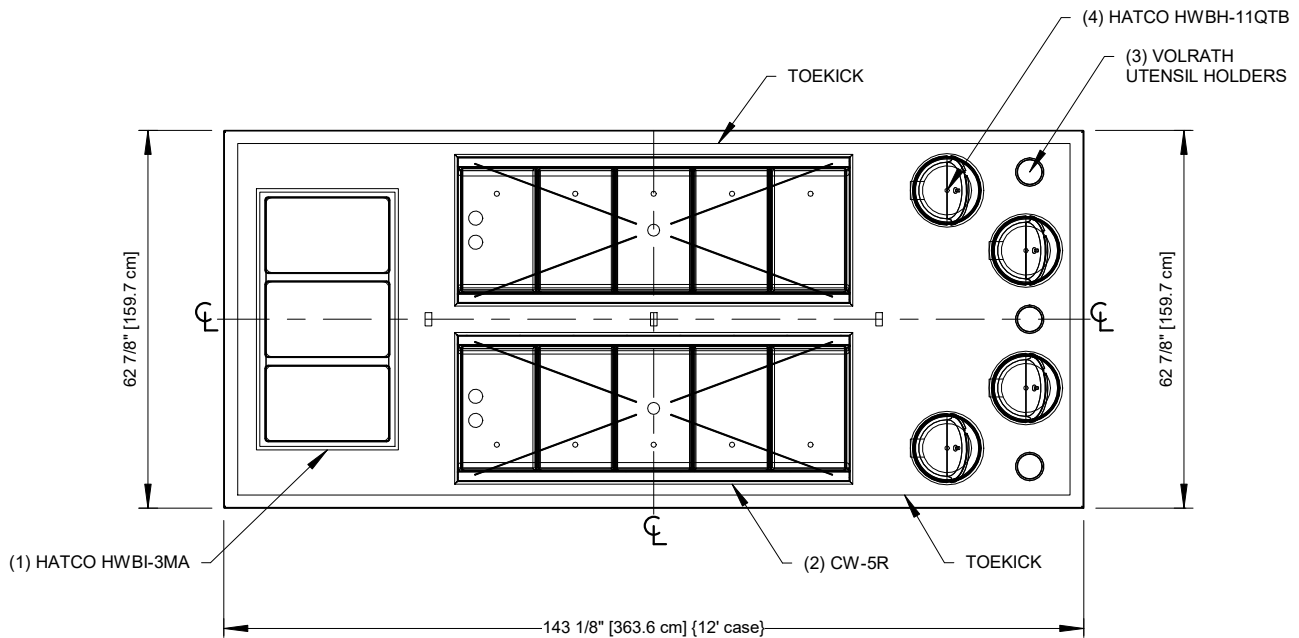
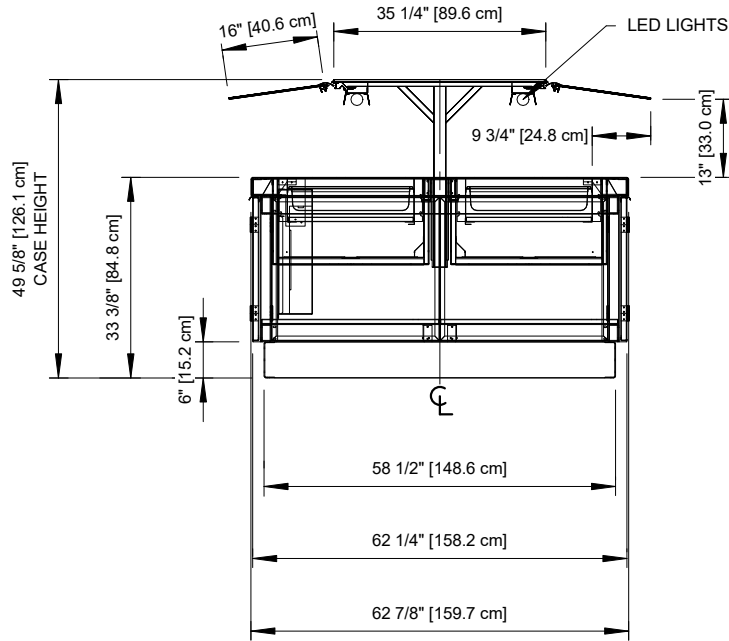
## MBI-512RH-P5

Rev. Date	Rev. #	Rev. Title
04-30-20	1	NEW STANDARDS



# MBI-512RH-P5

Self-Service Open Salad Bar Island Merchandiser w/ Lower Storage  
12' (Deli)



ALL MEASUREMENTS ARE TAKEN PER ASHRAE-72-2005 SPECIFICATIONS. HILLPHOENIX REFRIGERATED DISPLAY CASES FOR SALE IN THE UNITED STATES MEET OR EXCEED DEPARTMENT OF ENERGY 2017 REQUIREMENTS.

## MBI-512RH-P5

Rev. Date	Rev. #	Rev. Title
04-30-20	1	NEW STANDARDS

