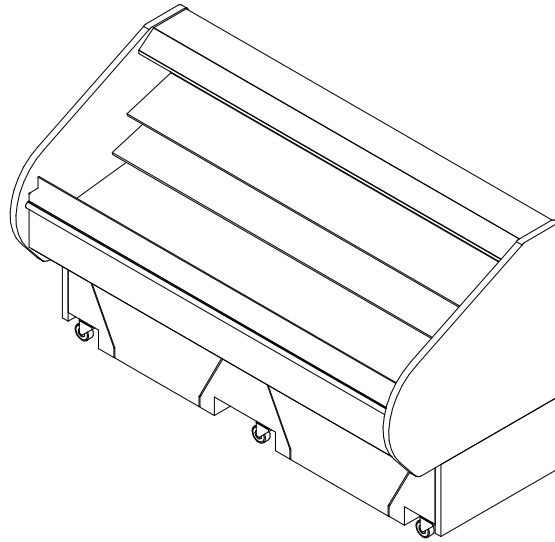


O2.5UMA-NRG

4', 6' & 8' Multi-Deck Mobile Self-Contained Merchandiser
Bakery/Dairy/Cut Produce/Meat/Seafood/Deli

GENERAL NOTES

- "---" indicates that the feature is not an option for this case model and/or the data is not yet available.
- LED lights only.
- Maximum of 2 rows of standard output LED lighted shelves.
- Nose lights are not available.



SHIPPING WEIGHT	
Case	Weight
O2.5UMA-NRG	---



ALL MEASUREMENTS ARE TAKEN PER ASHRAE-72-2005 SPECIFICATIONS. HILLPHOENIX REFRIGERATED DISPLAY CASES FOR SALE IN THE UNITED STATES MEET OR EXCEED DEPARTMENT OF ENERGY 2017 REQUIREMENTS.

O2.5UMA-NRG

Rev. Date	Rev. #	Rev. Title
12-29-20	6	DATA UPDATE
3-2-20	5	SECTION UPDATE

Hillphoenix
A DOVER COMPANY

O2.5UMA-NRG

4', 6' & 8' Multi-Deck Mobile Self-Contained Merchandiser
Bakery/Dairy/Cut Produce/Meat/Seafood/Deli

SYSTEM REQUIREMENTS						
Case Length	Volts	Phase	Frequency (Hz)	Plug	Minimum Circuit Ampacity	Maximum Overcurrent Protection
4'	120	1	60	NEMA L5-30	19.1	25
6'	120	1	60	NEMA L5-30	30.1	40
8'	208	1	60	NEMA L14-30	19.3	25

ELECTRICAL DATA					
Case Length	Fans Per Case	High Efficiency Fans		Drain Pan	
		120 Volts		120 Volts	
		Amps	Watts	Amps	Watts
4'	1	0.1	10.0	4.2	500
6'	2	0.2	17.8	8.3	1000
8'	2	0.2	15.3	7.2	1500

LIGHTING DATA				
Case Length	Lights Per Row	Light Length	Standard Power (Cornice or Shelf)	
			120 Volts	
			Amps	Watts
4'	1	4'	0.05	5.90
6'	2	3'	0.08	9.40
8'	2	4'	0.10	11.80

GUIDELINES AND CONTROL SETTINGS				
24hr Energy Usage (kWh)	Suction Pressure @ Case Outlet (psig)	Superheat Set Point @ Bulb (°F)	Discharge Air (°F)	Discharge Air Velocity (FPM)
13.24	50	6 - 8	34	110

CONDENSING UNIT DATA								
Case Length	Volts	Phase	Frequency (Hz)	Horsepower	Running Load Amps (RLA) (Amps)	Locked Rotor Amps (LRA) (Amps)	Refrigerant	Lbs. of Refrigerant (Lbs)
4'	120	1	60	1/2	10.5	54.5	R448A	2.3
6'	120	1	60	3/4	15.0	70.0	R448A	3.0
8'	208	1	60	1 1/4	7.7	46.0	R448A	3.6

DEFROST CONTROLS		
Defrosts Per Day	Timed-Off Defrost	
	Fail-Safe (Min)	Termination Temp (F)
6	45	47

NOTES

- Conventional Discharge Air Control - Recommended Settings: Cut-in Temp + Discharge Air + 2°F; Cut-Out Temp = Discharge Air - 2°F.
- Listed discharge air velocity represents the average velocity immediately after defrost.
- Temperature and defrost settings listed above are recommended start-up settings. Final operational settings may need to be adjusted for the store conditions in which the case operates.



ALL MEASUREMENTS ARE TAKEN PER ASHRAE-72-2005 SPECIFICATIONS. HILLPHOENIX REFRIGERATED DISPLAY CASES FOR SALE IN THE UNITED STATES MEET OR EXCEED DEPARTMENT OF ENERGY 2017 REQUIREMENTS.

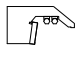
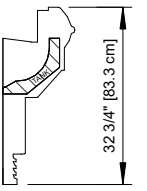
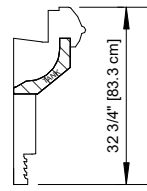
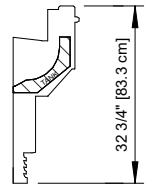
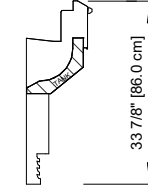
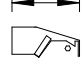
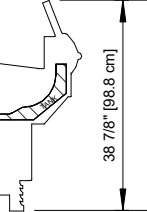
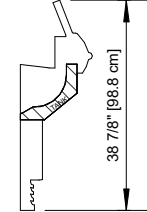
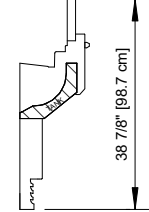
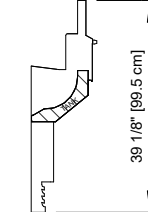
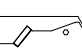
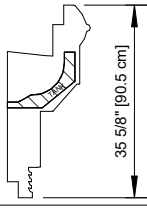
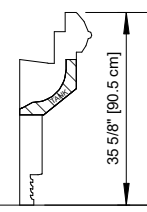
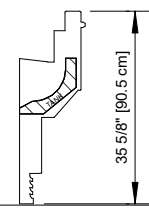
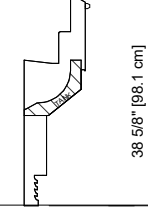
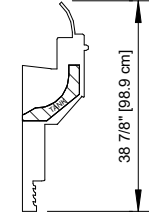
O2.5UMA-NRG

Rev. Date	Rev. #	Rev. Title
12-29-20	6	DATA UPDATE
3-2-20	5	SECTION UPDATE

Hillphoenix
A DOVER COMPANY

O2.5UMA-NRG

4', 6' & 8' Multi-Deck Mobile Self-Contained Merchandiser
Bakery/Dairy/Cut Produce/Meat/Seafood/Deli

REAR SILL OPTIONS	FRONT OPTIONS			
	ORIGIN 2 FRONT		FLAT FRONT FLAT TOP	FLAT FRONT ANGLED TOP
STANDARD REAR SILL 8 1/2" [21.7 cm] 	STANDARD FRONT  32 3/4" [83.3 cm]	STANDARD FRONT  32 3/4" [83.3 cm]	STANDARD FRONT  32 3/4" [83.3 cm]	STANDARD FRONT  33 7/8" [86.0 cm]
12 1/2" REAR SILL 12 1/2" [31.7 cm] 	6" THERMOPANE FRONT  38 7/8" [98.8 cm]	6" THERMOPANE FRONT  38 7/8" [98.8 cm]	6" THERMOPANE FRONT  38 7/8" [98.7 cm]	6" THERMOPANE FRONT  39 1/8" [99.5 cm]
16" REAR SILL (REAR DISCHARGE) 16" [40.7 cm] 	EXTENDED STANDARD FRONT  35 5/8" [90.5 cm]	EXTENDED STANDARD FRONT  35 5/8" [90.5 cm]	EXTENDED STANDARD FRONT  35 5/8" [90.5 cm]	EXTENDED STANDARD FRONT  36 5/8" [98.1 cm]
			6" PLEXIGLAS FRONT  38 7/8" [98.9 cm]	

NOTES

- Front and rear sill heights vary with base frame height.
- Extended front sills are required on meat applications to maintain proper product temperature.



ALL MEASUREMENTS ARE TAKEN PER ASHRAE-72-2005 SPECIFICATIONS. HILLPHOENIX REFRIGERATED DISPLAY CASES FOR SALE IN THE UNITED STATES MEET OR EXCEED DEPARTMENT OF ENERGY 2017 REQUIREMENTS.

O2.5UMA-NRG

Rev. Date	Rev. #	Rev. Title
12-29-20	6	DATA UPDATE
3-2-20	5	SECTION UPDATE

Hillphoenix
A DOVER COMPANY

O2.5UMA-NRG

4', 6' & 8' Multi-Deck Mobile Self-Contained Merchandiser
Bakery/Dairy/Cut Produce/Meat/Seafood/Deli

REAR SILL OPTIONS	
<p><u>STANDARD REAR SILL</u></p> <p>8 1/2" [21.7 cm]</p>	<p><u>16" REAR SILL (REAR DISCHARGE)</u></p> <p>16" [40.7 cm]</p>
FRONT OPTIONS	
<p><u>ORIGIN 2 FRONT</u></p>	<p><u>FLAT FRONT FLAT TOP</u></p>
<p><u>STANDARD FRONT</u></p>	<p><u>STANDARD FRONT</u></p>
<p><u>EXTENDED STANDARD FRONT</u></p>	<p><u>EXTENDED STANDARD FRONT</u></p>
END OPTIONS	
<p><u>SOLID END</u></p>	<p><u>FULL VIEW END</u></p>

OPTION PAGE NOTES:

- Front and rear sill heights vary with base frame height.
- For all other available options, please refer to the O2.5UMA Technical Reference Sheet or contact your sales representative.



COMPONENT
ALL MEASUREMENTS ARE TAKEN PER ASHRAE-72-2005 SPECIFICATIONS. HILLPHOENIX REFRIGERATED DISPLAY CASES FOR SALE IN THE UNITED STATES MEET OR EXCEED DEPARTMENT OF ENERGY 2017 REQUIREMENTS.

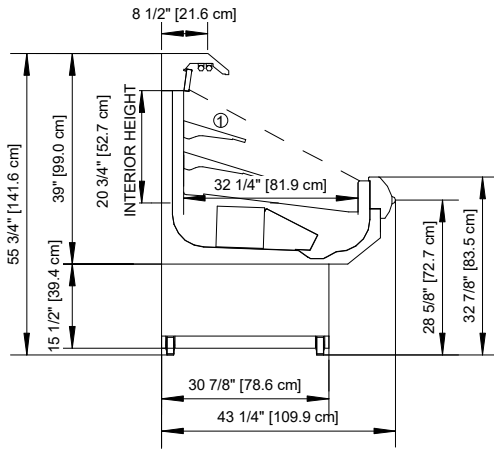
O2.5UMA-NRG

Rev. Date	Rev. #	Rev. Title
12-29-20	6	DATA UPDATE
3-2-20	5	SECTION UPDATE

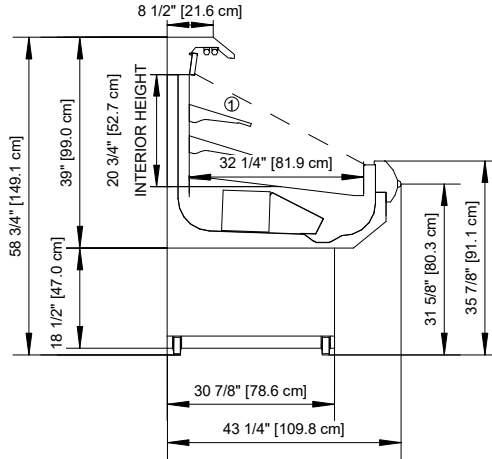
Hillphoenix
A DOVER COMPANY

O2.5UMA-NRG

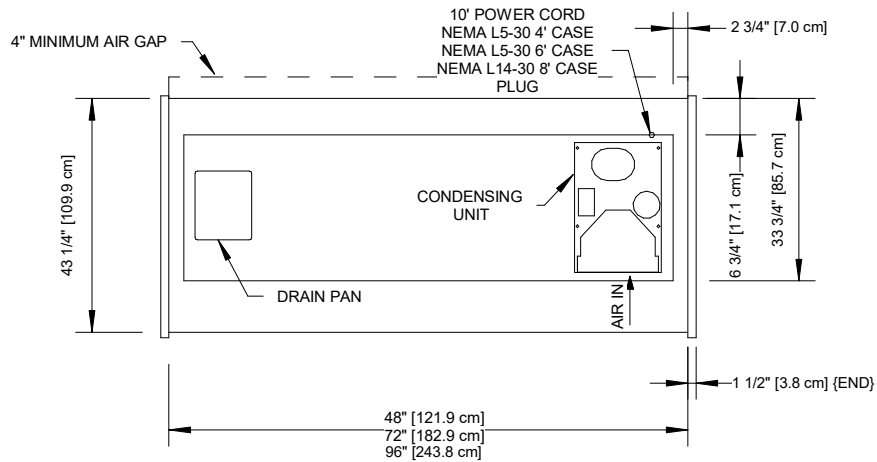
4', 6' & 8' Multi-Deck Mobile Self-Contained Merchandiser
Bakery/Dairy/Cut Produce/Meat/Seafood/Deli



15 1/2" BF (4' & 6' ONLY)



18 1/2" BF (8' ONLY)



NOTES

- * :STUB-UP AREA
- ** :RECOMMENDED STUB-UP CENTERLINE FOR ELECTRICAL AND HUB DRAINS AVAILABLE UPON REQUEST
- ① :AVAILABLE SHELF SIZES: 10", 12", 14" & 16"

- Ends add approximately 1 inch to case height.
- Product on top shelf should be 3 inches below discharge.



ALL MEASUREMENTS ARE TAKEN PER ASHRAE-72-2005 SPECIFICATIONS. HILLPHOENIX REFRIGERATED DISPLAY CASES FOR SALE IN THE UNITED STATES MEET OR EXCEED DEPARTMENT OF ENERGY 2017 REQUIREMENTS.

O2.5UMA-NRG

Rev. Date	Rev. #	Rev. Title
12-29-20	6	DATA UPDATE
3-2-20	5	SECTION UPDATE

