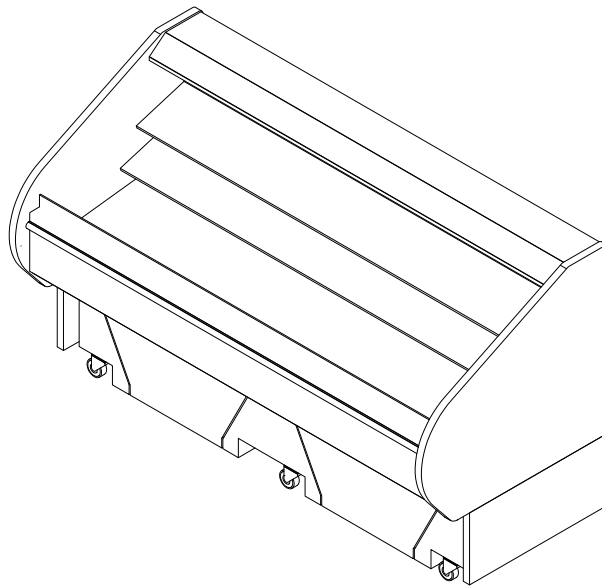


# O2.5UMAK-NRG

Multi-Deck Mobile Self-Contained Merchandiser  
4', 6' & 8' Case (Meal Kit)

## GENERAL NOTES

- "---" indicates that the feature is not an option for this case model and/or the data is not yet available.
- LED lights only.
- Maximum of 2 rows of standard output LED lighted shelves.
- Nose lights are not available.



SHIPPING WEIGHT	
Case	Weight
O2.5UMAK-NRG	---



COMPONENT

ALL MEASUREMENTS ARE TAKEN PER ASHRAE-72-2005 SPECIFICATIONS. HILLPHOENIX REFRIGERATED DISPLAY CASES FOR SALE IN THE UNITED STATES MEET OR EXCEED DEPARTMENT OF ENERGY 2017 REQUIREMENTS.

## O2.5UMAK-NRG

Rev Date:	Rev #	Revision Description:
9-4-18	1	NEW CASE CONFIGURATION
8-15-18	0	MEAL KIT

**Hillphoenix**  
A DOVER COMPANY

# O2.5UMAK-NRG

Multi-Deck Mobile Self-Contained Merchandiser  
4', 6' & 8' Case (Meal Kit)

SYSTEM REQUIREMENT					
Case Length	Volts	Phase	Frequency	Plug Style	Cord Length
4'	120	1	60	NEMA L5-20	10'
6'	120	1	60	NEMA L5-30	10'
8'	208/230	1	60	NEMA L14-30	10'

GUIDELINES AND CONTROL SETTINGS			
Suction Pressure @ Case Outlet (psig)	Superheat Set Point @ Bulb (°F)	Discharge Air (°F)	Discharge Air Velocity (FPM)
40	6 - 8	26	225

CONDENSING UNIT DATA								
Case Length	Volts	Phase	Frequency	Horsepower	Running Load Amps (RLA) (Amps)	Locked Rotor Amps (LRA) (Amps)	Refrigerant	Lbs. of Refrigerant
4'	120	1	60	1/2	10.5	54.5	R404A	3.6
6'	120	1	60	3/4	15.0	70.0	R404A	4.3
8'	208/230	1	60	1 1/4	11.0	51.0	R404A	5.3

DEFROST CONTROLS		
Defrosts Per Day	Timed-Off Defrost	
	Fail-Safe (Min)	Termination Temp (F)
6	45	47

## NOTES

- Listed BTUH/ft data represent unlighted shelves. For LED lighting, add 9 BTUH/ft per row of lighted shelving.
- BTUH load increases by 123 BTUH/ft when aftermarket merchandising accessories are utilized.
- Listed evaporator temperature represents unlighted shelves. For lighted shelves and/or aftermarket merchandising accessories, reduce the listed evaporator temperature by 2°F.
- Conventional Discharge Air Control - Recommended Settings: Cut-in Temp + Discharge Air + 2°F; Cut-Out Temp = Discharge Air - 2°F.
- Listed discharge air velocity represents the average velocity at the peak of defrost.
- Temperature and defrost settings listed above are recommended start-up settings. Final operational settings may need to be adjusted for the store conditions in which the case operates.



ALL MEASUREMENTS ARE TAKEN PER ASHRAE-72-2005 SPECIFICATIONS. HILLPHOENIX REFRIGERATED DISPLAY CASES FOR SALE IN THE UNITED STATES MEET OR EXCEED DEPARTMENT OF ENERGY 2017 REQUIREMENTS.

## O2.5UMAK-NRG

Rev Date:	Rev #	Revision Description:
9-4-18	1	NEW CASE CONFIGURATION
8-15-18	0	MEAL KIT

**Hillphoenix**  
A DOVER COMPANY

# O2.5UMAK-NRG

Multi-Deck Mobile Self-Contained Merchandiser  
4', 6' & 8' Case (Meal Kit)

O2.5UMAK-NRG (Meal Kit) Case Configuration		
Case Model	O2.5UMAK-NRG (Meal Kit) Base Model	O2.5UMAK-NRG Configured Options
Length	6'	4', 8'
Case Use	Meal Kits	n/a
Base Frame	15" or 18.5" (8')	n/a
Exterior Color	Matte Black	Stainless
LH End Type	Solid	Full View
RH End Type	Solid	Full View
End Skins	Interior: SA, Exterior: CC	Painted/Fiberglass
End Trim Type/Color	Black PVC	Stainless
Front Type	27" Flat Front w/ 3" Plexi	27" Origin 2 30" Origin 2 30" Flat Front
Front Panel Type	Flat	Contour
ColorBand Panel Finish	CC	Stainless
Sill Cap Finish	Painted	Stainless
Rear Sill Type	8.5" w/ 2 row lights	16" w/ 2 row lights
Rear Sill Finish	Painted	Stainless
Tank Finish	Painted	Aluminum Stainless
Interior Color	White	CC Stainless
Baffle Finish	White	CC Stainless
Frame Finish	White	CC
Deck Pan Type	Metal	Plastic
Deck Pan Finish/Color	White	Black Galvanized Painted Stainless
Wire Rack Type	Telescopic	Fixed
Wire Rack Finish	White	Black Stainless
Shelf Depth	12" & 16"	10" & 14"
PTM Type	AL	PVC Black White Slotted
Shelf Package Stops	Plexiglass 2.25"H	Wire 2.25"H
LED Type	Standard	High
LED Color	30k	35k 40k
Rear Sill Lighting Type	2 Row	1 Row
Refrigerant	R404a	
Piping	Bottom	
Defrost	Off Cycle	
Fans (HE, STD)	ECM	
Refrigeration Accessories	None	Optional: Solenoid, Thermostat
Thermometer	Std	
Probe	None	Optional: Electronic Sensor
Control Package	Dixell XR04CX	Mechanical (time clock)
Special Instructions		



COMPONENT

ALL MEASUREMENTS ARE TAKEN PER ASHRAE-72-2005 SPECIFICATIONS. HILLPHOENIX REFRIGERATED DISPLAY CASES FOR SALE IN THE UNITED STATES MEET OR EXCEED DEPARTMENT OF ENERGY 2017 REQUIREMENTS.

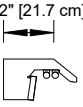
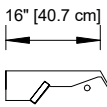
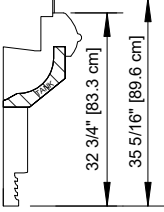
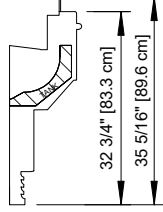
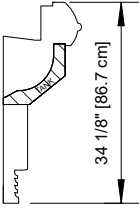
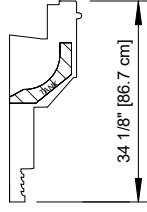
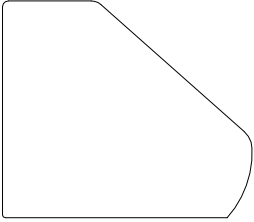
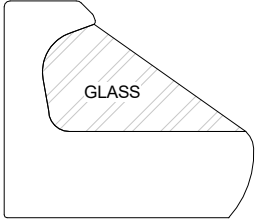
## O2.5UMAK-NRG

Rev Date:	Rev #	Revision Description:
9-4-18	1	NEW CASE CONFIGURATION
8-15-18	0	MEAL KIT

**Hillphoenix**  
A DOVER COMPANY

# O2.5UMAK-NRG

Multi-Deck Mobile Self-Contained Merchandiser  
4', 6' & 8' Case (Meal Kit)

<b>REAR SILL OPTIONS</b>	
<p><b>STANDARD REAR SILL</b></p> <p>8 1/2" [21.7 cm]</p> 	<p><b>16" REAR SILL (REAR DISCHARGE)</b></p> <p>16" [40.7 cm]</p> 
<b>FRONT OPTIONS</b>	
<p><b>ORIGIN 2 FRONT</b></p>	<p><b>FLAT FRONT FLAT TOP</b></p>
<p><b>STANDARD FRONT</b></p> 	<p><b>STANDARD FRONT</b></p> 
<p><b>EXTENDED STANDARD FRONT</b></p> 	<p><b>EXTENDED STANDARD FRONT</b></p> 
<b>END OPTIONS</b>	
<p><b>SOLID END</b></p> 	<p><b>FULL VIEW END</b></p> 

## NOTES

- Front and rear sill heights vary with base frame height.
- For all other available options, please refer to the O2.5UMA Technical Reference Sheet or contact your sales representative.



COMPONENT

ALL MEASUREMENTS ARE TAKEN PER ASHRAE-72-2005 SPECIFICATIONS. HILLPHOENIX REFRIGERATED DISPLAY CASES FOR SALE IN THE UNITED STATES MEET OR EXCEED DEPARTMENT OF ENERGY 2017 REQUIREMENTS.

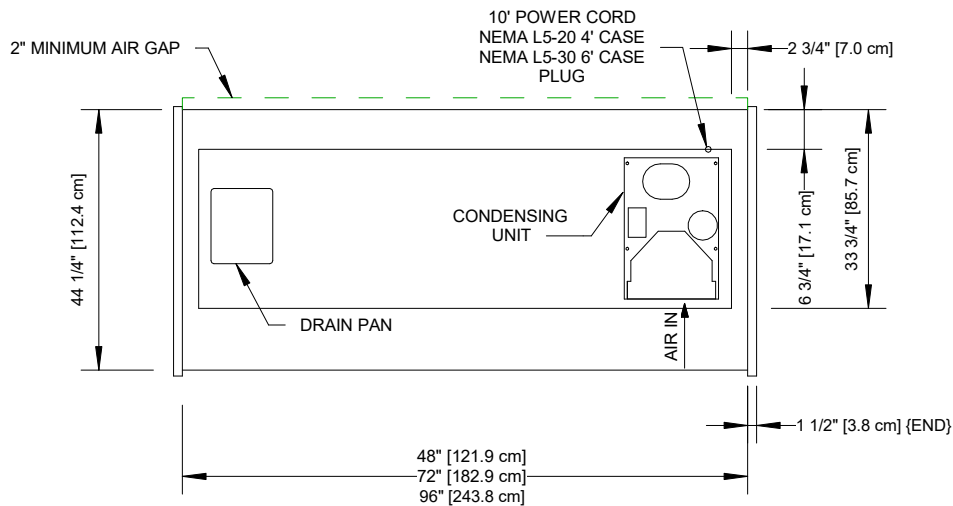
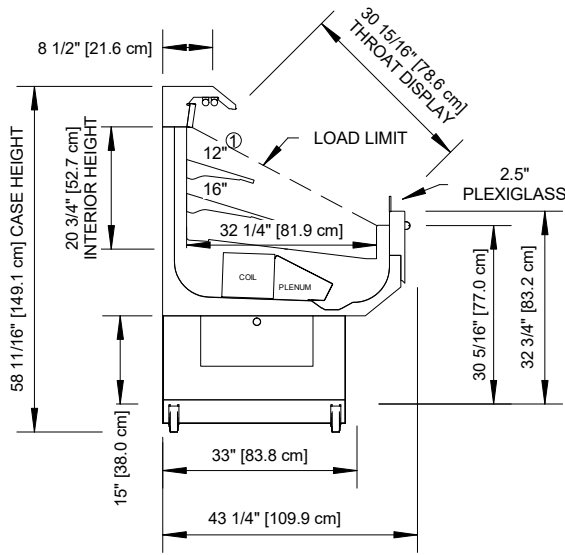
## O2.5UMAK-NRG

Rev Date:	Rev #	Revision Description:
9-4-18	1	NEW CASE CONFIGURATION
8-15-18	0	MEAL KIT

**Hillphoenix**  
A DOVER COMPANY

# O2.5UMAK-NRG

Multi-Deck Mobile Self-Contained Merchandiser  
4', 6' & 8' Case (Meal Kit)



## NOTES

- \* :STUB-UP AREA
- \*\* :RECOMMENDED STUB-UP CENTERLINE FOR ELECTRICAL AND HUB DRAINS AVAILABLE UPON REQUEST
- ① :AVAILABLE SHELF SIZES: 10", 12", 14" & 16"

- Ends add approximately 1 inch to case height.
- Product on top shelf should be 3 inches below discharge.



ALL MEASUREMENTS ARE TAKEN PER ASHRAE-72-2005 SPECIFICATIONS. HILLPHOENIX REFRIGERATED DISPLAY CASES FOR SALE IN THE UNITED STATES MEET OR EXCEED DEPARTMENT OF ENERGY 2017 REQUIREMENTS.

## O2.5UMAK-NRG

Rev Date:	Rev #	Revision Description:
9-4-18	1	NEW CASE CONFIGURATION
8-15-18	0	MEAL KIT

**Hillphoenix**  
A DOVER COMPANY