

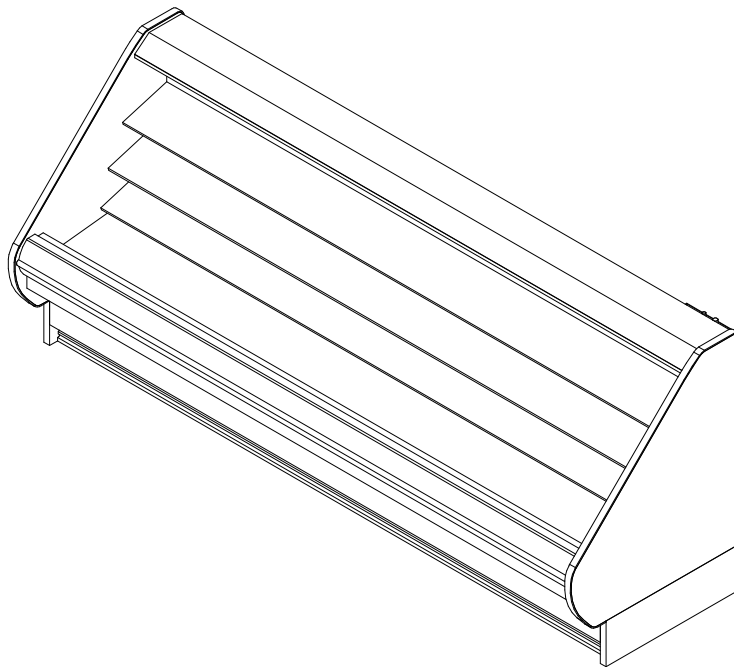
# O3.25EMQA-NRG

8' & 12' Multi-Deck Merchandiser with Synergy-E™  
Dairy/Deli/Meat/Produce/Seafood



**GENERAL NOTES**

- "---" indicates that the feature is not an option for this case model and/or the data is not yet available.
- LED lights only.
- Maximum of 3 rows of standard output LED lighted shelves.
- Nose lights are not available.



SHIPPING WEIGHT	
Case	Weight
O3.25EMQA-NRG	---



COMPONENT

ALL MEASUREMENTS ARE TAKEN PER ASHRAE-72-2005 SPECIFICATIONS. HILLPHOENIX REFRIGERATED DISPLAY CASES FOR SALE IN THE UNITED STATES MEET OR EXCEED DEPARTMENT OF ENERGY 2017 REQUIREMENTS.

**O3.25EMQA-NRG**

Rev. Date	Rev. #	Rev. Title
9-30-20	2	SOLOCHILL V5
9-18-19	1	SOLOCHILL V4



# O3.25EMQA-NRG

8' & 12' Multi-Deck Merchandiser with Synergy-E™  
Dairy/Deli/Meat/Produce/Seafood



ELECTRICAL DATA			
Case Length	Fans Per Case	High Efficiency Fans	
		120 Volts	
		Amps	Watts
8'	2	0.32	22.0
12'	3	0.48	33.0

LIGHTING DATA						
Case Length	Lights per row	Lights Length	Clearvoyant LED Lighting (Per Light Row)			
			Standard Power (Cornice or Shelf)		High Power (Cornice)	
			120 Volts		120 Volts	
			Amps	Watts	Amps	Watts
8'	2	4'	0.10	11.8	0.25	29.9
12'	3	4'	0.15	17.6	0.37	44.8

DEFROST CONTROLS		
Defrosts Per Day	Timed-Off Defrost	
	Fail-Safe (Min)	Termination Temp (°F)
6	30	47

**NOTES:**

- "---" indicates that the feature is not an option for this case model and/or the data is not yet available.
- Listed discharge air velocity represents the average velocity immediately after defrost.
- Temperature and defrost settings listed above are recommended start-up settings. Final operational settings may need to be adjusted for the store conditions in which the case operates.



ALL MEASUREMENTS ARE TAKEN PER ASHRAE-72-2005 SPECIFICATIONS. HILLPHOENIX REFRIGERATED DISPLAY CASES FOR SALE IN THE UNITED STATES MEET OR EXCEED DEPARTMENT OF ENERGY 2017 REQUIREMENTS.

## O3.25EMQA-NRG

Rev. Date	Rev. #	Rev. Title
9-30-20	2	SOLOCHILL V5
9-18-19	1	SOLOCHILL V4



A DOVER COMPANY

# 03.25EMQA-NRG

8' & 12' Multi-Deck Merchandiser with Synergy-E™  
Dairy/Deli/Meat/Produce/Seafood



SOLOCHILL DATA			@95° Condensing Temperature		
Volts	Phase	Frequency	Wire		
208	1	60	3 Wire + Ground		
Application	Case Length	Evaporator Temp (°F)	Discharge Air (°F)	Discharge Air Velocity (FPM)	
Dairy/Deli/Cut Produce	8'	26	31	150	
Dairy/Deli/Cut Produce	12'	26	31	150	
Meat	8'	24	30	150	
Meat	12'	24	30	150	

Application	Case Length	R448A					
		Condensing Unit Model	MCA	MOP	Required Capacity	THR (BTUH)	Flow Rate
Dairy/Deli/Cut Produce	8'	DA130	11.9	15	7896	9853	2.8
Dairy/Deli/Cut Produce	12'	DA220	18.9	20	11844	14458	4.1
Meat	8'	DA130	11.9	15	7808	9935	2.8
Meat	12'	DA220	18.9	20	11712	14563	4.2

**NOTES:**

\* SoloChill CDU is remote mount only.



ALL MEASUREMENTS ARE TAKEN PER ASHRAE-72-2005 SPECIFICATIONS. HILLPHOENIX REFRIGERATED DISPLAY CASES FOR SALE IN THE UNITED STATES MEET OR EXCEED DEPARTMENT OF ENERGY 2017 REQUIREMENTS.

## 03.25EMQA-NRG

Rev. Date	Rev. #	Rev. Title
9-30-20	2	SOLOCHILL V5
9-18-19	1	SOLOCHILL V4



A DOVER COMPANY

# O3.25EMQA-NRG

8' & 12' Multi-Deck Merchandiser with Synergy-E™  
Dairy/Deli/Meat/Produce/Seafood



**NOTES:**

- Front and rear sill heights vary with base frame height.
- Extended front sills are required for meat applications to maintain proper product temperature. An extended front has a minimum height of 24" on a 5" baseframe, or 30" on an 11" baseframe.

REAR SILL OPTIONS	FRONT OPTIONS											
	ORIGIN 2 FRONT						FLAT FRONT FLAT TOP					
<p><b>16" REAR SILL (FRONT DISCHARGE)</b></p> <p>16" [40.7 cm]</p>	STANDARD FRONT		STANDARD FRONT		STANDARD FRONT		STANDARD FRONT		STANDARD FRONT		STANDARD FRONT	
	6" THERMOPANE FRONT		6" THERMOPANE FRONT		6" THERMOPANE FRONT		6" THERMOPANE FRONT		6" THERMOPANE FRONT		6" THERMOPANE FRONT	
	6" PLEXIGLAS FRONT		6" PLEXIGLAS FRONT		6" PLEXIGLAS FRONT		6" PLEXIGLAS FRONT		6" PLEXIGLAS FRONT		6" PLEXIGLAS FRONT	
<p><b>18" REAR SILL (FRONT DISCHARGE)</b></p> <p>18" [45.8 cm]</p>	EXTENDED STANDARD FRONT		EXTENDED STANDARD FRONT		EXTENDED STANDARD FRONT		EXTENDED STANDARD FRONT		EXTENDED STANDARD FRONT		EXTENDED STANDARD FRONT	
	STANDARD FRONT		STANDARD FRONT		6" PLEXIGLAS FRONT		6" PLEXIGLAS FRONT		6" PLEXIGLAS FRONT		6" PLEXIGLAS FRONT	
	6" THERMOPANE FRONT		6" THERMOPANE FRONT		EXTENDED STANDARD FRONT		EXTENDED STANDARD FRONT		EXTENDED STANDARD FRONT		EXTENDED STANDARD FRONT	
<p><b>20 1/8" REAR SILL (FRONT DISCHARGE)</b></p> <p>20 1/8" [51.0 cm]</p>	STANDARD FRONT		STANDARD FRONT		6" PLEXIGLAS FRONT		6" PLEXIGLAS FRONT		6" PLEXIGLAS FRONT		6" PLEXIGLAS FRONT	
	6" THERMOPANE FRONT		6" THERMOPANE FRONT		EXTENDED STANDARD FRONT		EXTENDED STANDARD FRONT		EXTENDED STANDARD FRONT		EXTENDED STANDARD FRONT	
	6" THERMOPANE FRONT		6" THERMOPANE FRONT		EXTENDED STANDARD FRONT		EXTENDED STANDARD FRONT		EXTENDED STANDARD FRONT		EXTENDED STANDARD FRONT	



**O3.25EMQA-NRG**

ALL MEASUREMENTS ARE TAKEN PER ASHRAE-72-2005 SPECIFICATIONS. HILLPHOENIX REFRIGERATED DISPLAY CASES FOR SALE IN THE UNITED STATES MEET OR EXCEED DEPARTMENT OF ENERGY 2017 REQUIREMENTS.

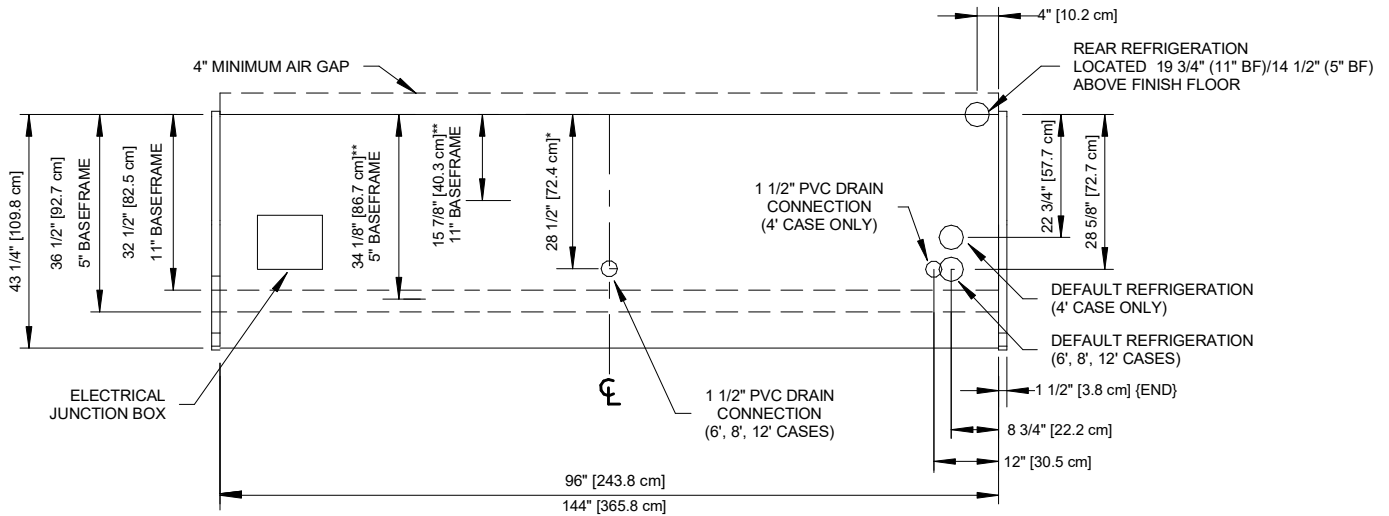
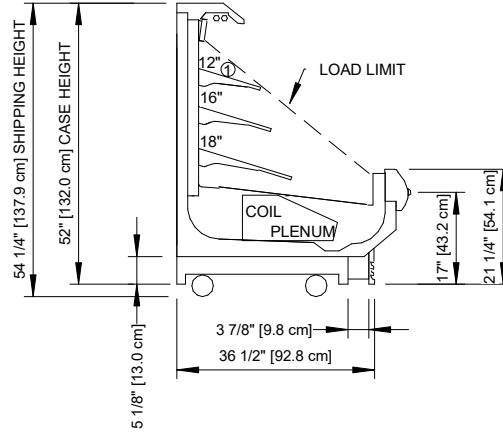
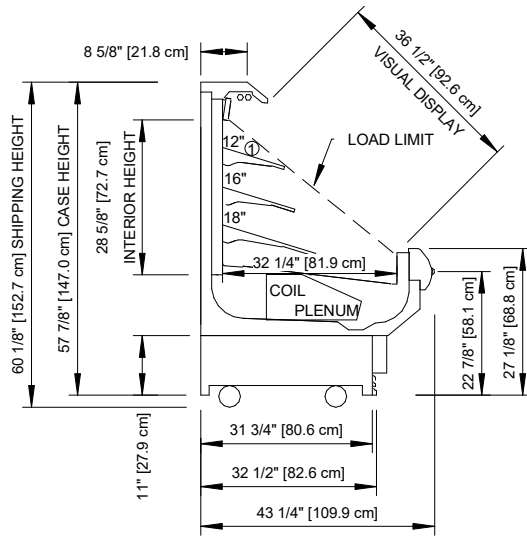
Rev. Date	Rev. #	Rev. Title
9-30-20	2	SOLOCHILL V5
9-18-19	1	SOLOCHILL V4



# O3.25EMQA-NRG

8' & 12' Multi-Deck Merchandiser with Synergy-E™  
Dairy/Deli/Meat/Produce/Seafood

**SOLOCHILL**  
MICRO-DISTRIBUTED



## NOTES:

\* : STUB-UP AREA

\*\* : RECOMMENDED STUB-UP CENTERLINE FOR ELECTRICAL AND HUB DRAINS

Ⓛ : AVAILABLE SHELF SIZES: 10", 12", 14", 16", 18", 20" & 22"

- Ends add approximately 1 inch to case height.
- Product on top shelf should be 3 inches below discharge.



COMPONENT

ALL MEASUREMENTS ARE TAKEN PER ASHRAE-72-2005 SPECIFICATIONS. HILLPHOENIX REFRIGERATED DISPLAY CASES FOR SALE IN THE UNITED STATES MEET OR EXCEED DEPARTMENT OF ENERGY 2017 REQUIREMENTS.

## O3.25EMQA-NRG

Rev. Date	Rev. #	Rev. Title
9-30-20	2	SOLOCHILL V5
9-18-19	1	SOLOCHILL V4

**Hillphoenix**  
A DOVER COMPANY