

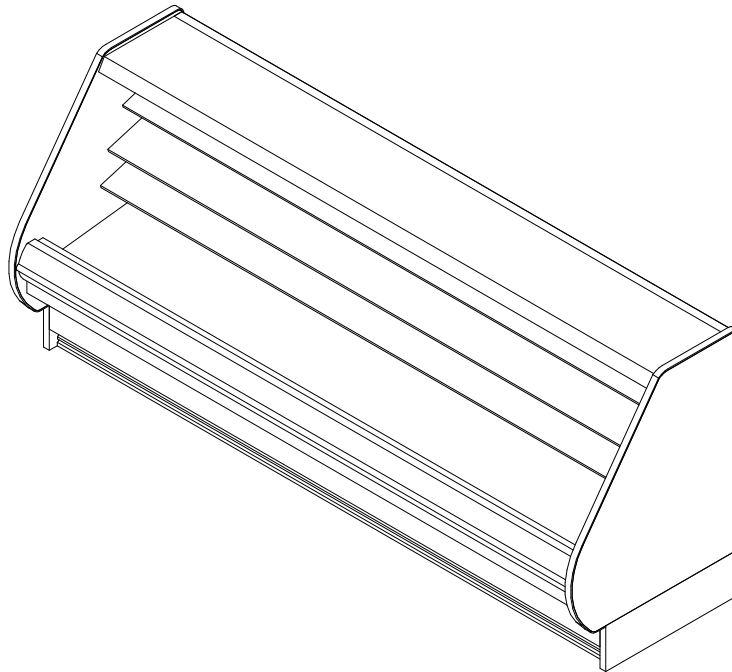
O3.5EMQA-NRG

8' & 12' Medium Temp Unitized Island Merchandiser
Dairy/Deli/Meat/Produce



GENERAL NOTES

- "---" indicates that the feature is not an option for this case model and/or the data is not yet available.
- LED lights only.
- Maximum of 3 rows of standard output LED lighted shelves.
- Nose lights are not available.



SHIPPING WEIGHT	
Case	Weight
O3.5EMQA-NRG	---



ALL MEASUREMENTS ARE TAKEN PER ASHRAE-72-2005 SPECIFICATIONS. HILLPHOENIX REFRIGERATED DISPLAY CASES FOR SALE IN THE UNITED STATES MEET OR EXCEED DEPARTMENT OF ENERGY 2017 REQUIREMENTS.

O3.5EMQA-NRG

Rev. Date	Rev. #	Rev. Title
9-30-20	2	SOLOCHILL V5
9-18-19	1	SOLOCHILL V4



O3.5EMQA-NRG

8' & 12' Medium Temp Unitized Island Merchandiser
Dairy/Deli/Meat/Produce



ELECTRICAL DATA			
Case Length	Fans Per Case	High Efficiency Fans	
		120 Volts	
		Amps	Watts
8'	2	0.40	28.0
12'	3	0.60	42.0

LIGHTING DATA						
Case Length	Lights per row	Lights Length	Clearvoyant LED Lighting (Per Light Row)			
			Standard Power (Cornice or Shelf)		High Power (Cornice)	
			120 Volts		120 Volts	
			Amps	Watts	Amps	Watts
8'	2	4'	0.10	11.8	0.25	29.9
12'	3	4'	0.15	17.6	0.37	44.8

DEFROST CONTROLS		
Defrosts Per Day	Timed-Off Defrost	
	Fail-Safe (Min)	Termination Temp (°F)
6	30	47

NOTES:

- "---" indicates that feature is not an option with this case model and/or the data is not yet available.
- Listed discharge air velocity represents the average velocity immediately after defrost.
- Temperature and defrost settings listed above are recommended start-up settings. Final operational settings may need to be adjusted for the store conditions in which the case operates.



ALL MEASUREMENTS ARE TAKEN PER ASHRAE-72-2005 SPECIFICATIONS. HILLPHOENIX REFRIGERATED DISPLAY CASES FOR SALE IN THE UNITED STATES MEET OR EXCEED DEPARTMENT OF ENERGY 2017 REQUIREMENTS.

O3.5EMQA-NRG

Rev. Date	Rev. #	Rev. Title
9-30-20	2	SOLOCHILL V5
9-18-19	1	SOLOCHILL V4



A DOVER COMPANY

O3.5EMQA-NRG

Multi-Deck End Cap Merchandiser
Deli / Meat



SOLOCHILL DATA			@95° Condensing Temperature			
Volts	Phase	Frequency	Wire			
208	1	60	3 Wire + Ground			
Application			Case Length	Evaporator Temp (°F)	Discharge Air (°F)	Discharge Air Velocity (FPM)
DAIRY/DELI/CUT PRODUCE			8'	26	31	150
DAIRY/DELI/CUT PRODUCE			12'	26	31	150
MEAT			8'	24	30	150
MEAT			12'	24	30	150

Application	Case Length	R448A					
		Condensing Unit Model	MCA	MOP	Required Capacity	THR (BTUH)	Flow Rate
DAIRY/DELI/CUT PRODUCE	8'	DA220	18.0	20	8720	10680	3.1
DAIRY/DELI/CUT PRODUCE	12'	DA220	18.9	20	13080	15956	4.6
MEAT	8'	DA220	18.0	20	8624	10755	3.1
MEAT	12'	DA220	18.9	20	12936	16072	4.6

NOTES:

- * SoloChill CDU is remote mount only.



ALL MEASUREMENTS ARE TAKEN PER ASHRAE-72-2005 SPECIFICATIONS. HILLPHOENIX REFRIGERATED DISPLAY CASES FOR SALE IN THE UNITED STATES MEET OR EXCEED DEPARTMENT OF ENERGY 2017 REQUIREMENTS.

O3.5EMQA-NRG

Rev. Date	Rev. #	Rev. Title
9-30-20	2	SOLOCHILL V5
9-18-19	1	SOLOCHILL V4



A DOVER COMPANY

O3.5EMQA-NRG

Multi-Deck End Cap Merchandiser
Deli / Meat



NOTES:

- Front and rear sill height vary with base frame height.
- Extended front sills are required on meat applications to maintain proper product temperature. An extended front has a minimum height of 24" on a 5" base frame, or 30" on an 11" base frame.

REAR SILL OPTIONS	FRONT OPTIONS					
	ORIGIN 2 FRONT				FLAT FRONT FLAT TOP	
	STANDARD FRONT	STANDARD FRONT	STANDARD FRONT	STANDARD FRONT	STANDARD FRONT	STANDARD FRONT
16" REAR SILL (FRONT DISCHARGE) 16" [40.7 cm]						
18" REAR SILL (FRONT DISCHARGE) 18" [45.8 cm]						
20" REAR SILL (FRONT DISCHARGE) 20 1/8" [51.0 cm]						
	FLAT FRONT ANGLED TOP					
	STANDARD FRONT	STANDARD FRONT	6" PLEXIGLAS FRONT	6" PLEXIGLAS FRONT		
	6" THERMOPANE FRONT	6" THERMOPANE FRONT	EXTENDED STANDARD FRONT	EXTENDED STANDARD FRONT		



ALL MEASUREMENTS ARE TAKEN PER ASHRAE-72-2005 SPECIFICATIONS. HILLPHOENIX REFRIGERATED DISPLAY CASES FOR SALE IN THE UNITED STATES MEET OR EXCEED DEPARTMENT OF ENERGY 2017 REQUIREMENTS.

O3.5EMQA-NRG

Rev. Date	Rev. #	Rev. Title
9-30-20	2	SOLOCHILL V5
9-18-19	1	SOLOCHILL V4

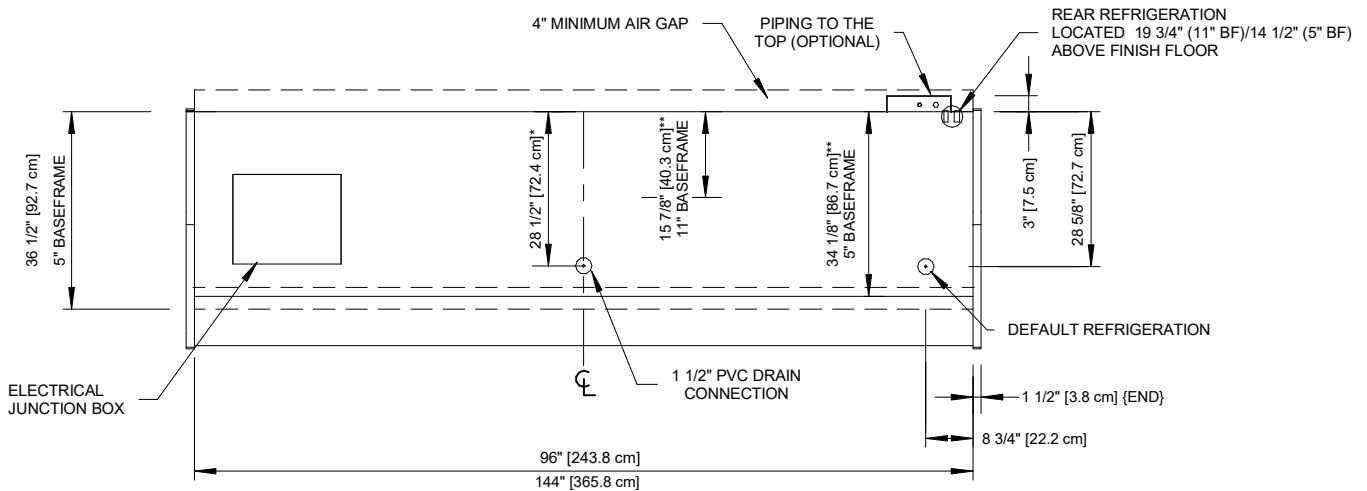
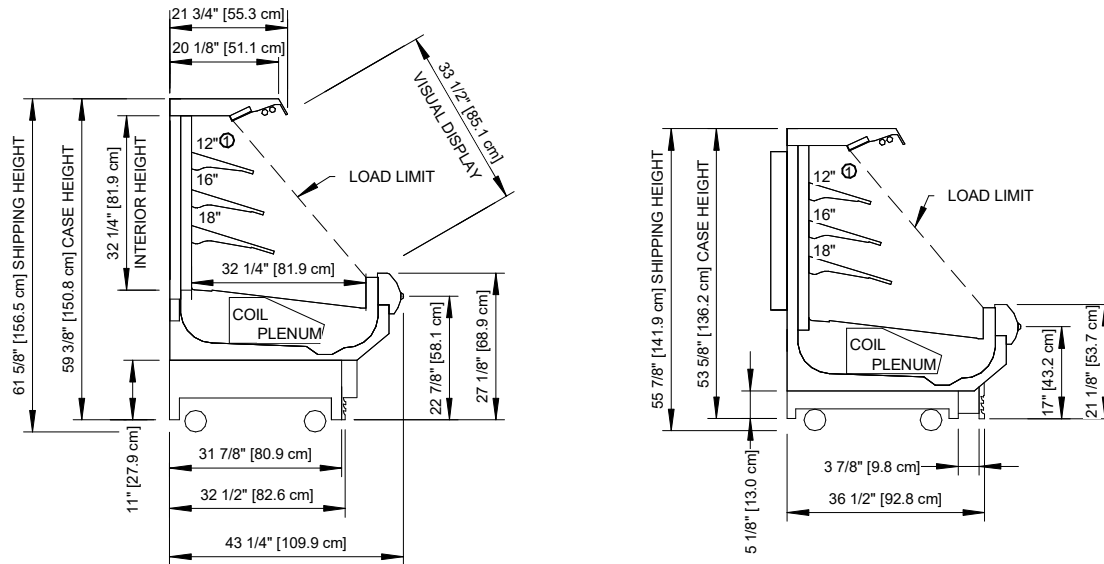


A DOVER COMPANY

O3.5EMQA-NRG

Multi-Deck End Cap Merchandiser
Deli / Meat

SOLOCHILL
MICRO-DISTRIBUTED



NOTES:

- * :STUB-UP AREA
- ** :RECOMMENDED STUB-UP CENTERLINE FOR ELECTRICAL AND HUB DRAINS
- ① :AVAILABLE SHELF SIZES ARE 10", 12", 14", 16" & 18"

- Ends add approximately 1" to case height, 1" to the front & 1/2" to the back.
- Product on top shelf should be 3" below discharge.
- Dashed lines signify area inside base rail behind kickplate.



O3.5EMQA-NRG

ALL MEASUREMENTS ARE TAKEN PER ASHRAE-72-2005 SPECIFICATIONS. HILLPHOENIX REFRIGERATED DISPLAY CASES FOR SALE IN THE UNITED STATES MEET OR EXCEED DEPARTMENT OF ENERGY 2017 REQUIREMENTS.

Rev. Date	Rev. #	Rev. Title
9-30-20	2	SOLOCHILL V5
9-18-19	1	SOLOCHILL V4

Hillphoenix
A DOVER COMPANY