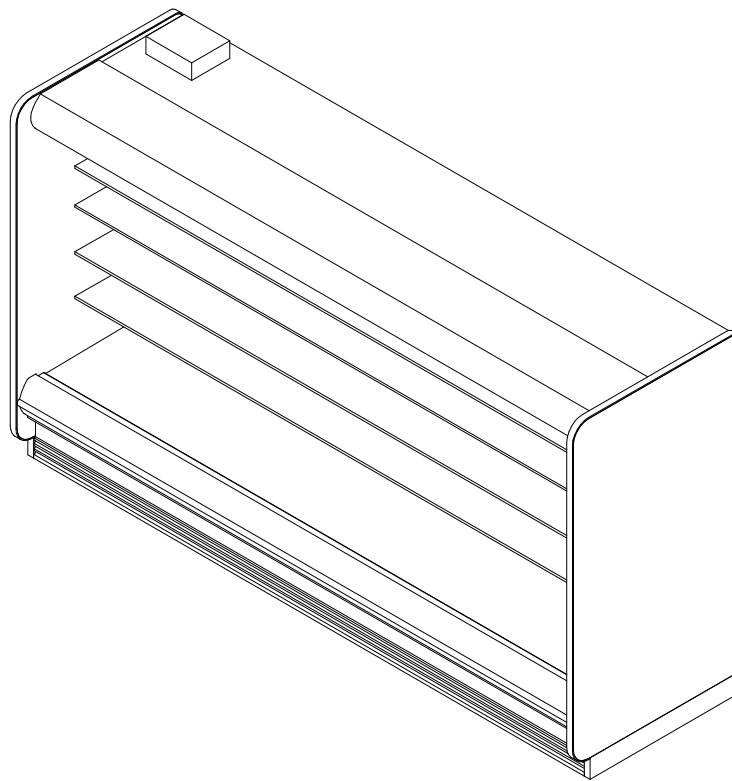


O5DM-NRG

4', 6', 8' & 12' Multi-Deck Merchandiser with Synerg-E™
Beverage / Bakery / Dairy / Cut Produce / Deli

GENERAL NOTES:

- "---" indicates that the feature is not an option on this case model and/or the data is not available at this time.
- If the O5DM-NRG case is being lined up to an ORS5DM reach-in case, a 21" front is recommended on the O5DM-NRG for best appearances.
- LED lights only.
- Maximum of 5 rows of Standard Output LED lighted shelves.



SHIPPING WEIGHT	
Case	Weight
O5DM-NRG	---



ALL MEASUREMENTS ARE TAKEN PER ASHRAE-72 SPECIFICATIONS. HILLPHOENIX REFRIGERATED DISPLAY CASES FOR SALE IN THE UNITED STATES MEET OR EXCEED DEPARTMENT OF ENERGY 2017 REQUIREMENTS.

O5DM-NRG

Rev. Date	Rev. #	Rev. Title
12-09-21	10	OPTION PAGE UPDATE
08-09-21	9	ENDVIEW UPDATE



O5DM-NRG

4', 6', 8' & 12' Multi-Deck Merchandiser with Synerg-E™
Beverage / Bakery / Dairy / Cut Produce / Deli

ELECTRICAL DATA			
Case Length	Fans Per Case	High Efficiency Fans	
		120 Volt	
		Amps	Watts
4'	1	0.23	18.0
6'	2	0.47	35.0
8'	2	0.47	35.0
12'	3	0.70	53.0

LIGHTING DATA					
Case Length	Lights per row	Clearvoyant v4 LED Lighting (Per Light Row)			
		Standard Power (Cornice or Shelf)		High Power (Cornice Only)	
		120 Volts		120 Volts	
		Amps	Watts	Amps	Watts
4'	1	0.05	5.9	0.12	14.9
6'	2	0.08	9.4	0.20	23.8
8'	2	0.10	11.8	0.25	29.9
12'	3	0.15	17.6	0.37	44.8

GUIDELINES AND CONTROL SETTINGS							
Application	Front Sill height	BTUH/ft		Superheat Set Point @ Bulb (°F)	Evaporator (°F)	Discharge Air (°F)	Discharge Air Velocity (FPM)
		Conventional	Parallel				
Beverage/Bulk Produce	7.5" Extended	972	850	6 - 8	34	37	140
Beverage/Bulk Produce	5" Extended	994	870	6 - 8	34	37	140
Beverage/Bulk Produce	2.5" Extended	1023	895	6 - 8	34	37	140
Beverage/Bulk Produce	Std. Dairy	1062	930	6 - 8	34	37	140
Bakery / Dairy / Cut Produce / Deli	7.5" Extended	1211	1060	6 - 8	28	31	140
Bakery / Dairy / Cut Produce / Deli	5" Extended	1234	1080	6 - 8	28	31	140
Bakery / Dairy / Cut Produce / Deli	2.5" Extended	1263	1105	6 - 8	28	31	140
Bakery / Dairy / Cut Produce / Deli	Std. Dairy	1303	1140	6 - 8	28	31	140

DEFROST CONTROLS			
Application	Defrosts Per Day	Timed-Off Defrost	
		Fail-Safe (Min)	Termination Temp (F)
Beverage/Bulk Produce	2	30	47
Bakery / Dairy / Cut Produce / Deli	6	40	47

NOTES:

- "—" indicates that the feature is not an option on this case model and/or the data is not available at this time.
- Listed BTUH/ft data represent unlighted shelves. For LED lighting, add 9 BTUH/ft per row of lighted shelving.
- BTUH load increases by 132 BTUH/ft when aftermarket merchandising accessories are utilized.
- Listed evaporator temperature represents unlighted shelves. For lighted shelves and/or aftermarket merchandising accessories, reduce the listed evaporator temperature by 2°F.
- Conventional Discharge Air Control – Recommended Settings: Cut-In Temp = Discharge Air + 2°F; Cut-Out Temp = Discharge Air - 2°F.
- Listed discharge air velocity represents the average velocity immediately after defrost.
- Temperature and defrost settings listed above are recommended start-up settings. Final operational settings may need to be adjusted for the store conditions in which the case operates.
- The recommended evaporator temperatures may need to be adjusted based on system setup, store conditions, etc. The minimum recommended evaporator temperature is 4°F below the listed evaporator temperature.



O5DM-NRG

ALL MEASUREMENTS ARE TAKEN PER ASHRAE-72 SPECIFICATIONS. HILLPHOENIX REFRIGERATED DISPLAY CASES FOR SALE IN THE UNITED STATES MEET OR EXCEED DEPARTMENT OF ENERGY 2017 REQUIREMENTS.

Rev. Date	Rev. #	Rev. Title
12-09-21	10	OPTION PAGE UPDATE
08-09-21	9	ENDVIEW UPDATE

Hillphoenix
A DOVER COMPANY

O5DM-NRG

4', 6', 8' & 12' Multi-Deck Merchandiser with Synerg-E™
Beverage / Bakery / Dairy / Cut Produce / Deli

SECOND NATURE DATA

Case Model	No. of Coils	Application	Front Sill height	BTUH/FT		GPM/ft (DR)	Supply Fluid Temp (°F)	Discharge Air Temp (°F)
				Conventional	Parallel			
O5DM-NRG	1	Beverage/Bulk Produce	7.5" Extended	972	850	0.11	20	37
O5DM-NRG	1	Beverage/Bulk Produce	5" Extended	994	870	0.12	20	37
O5DM-NRG	1	Beverage/Bulk Produce	2.5" Extended	1023	895	0.12	20	37
O5DM-NRG	1	Beverage/Bulk Produce	Std. Dairy	1062	930	0.12	20	37
O5DM-NRG	1	Deli/Dairy/Cut Produce	7.5" Extended	1211	1060	0.31	20	31
O5DM-NRG	1	Deli/Dairy/Cut Produce	5" Extended	1234	1080	0.32	20	31
O5DM-NRG	1	Deli/Dairy/Cut Produce	2.5" Extended	1263	1105	0.32	20	31
O5DM-NRG	1	Deli/Dairy/Cut Produce	Std. Dairy	1303	1140	0.33	20	31
O5DM-NRG	1	Beverage/Bulk Produce	7.5" Extended	972	850	0.21	25	37
O5DM-NRG	1	Beverage/Bulk Produce	5" Extended	994	870	0.21	25	37
O5DM-NRG	1	Beverage/Bulk Produce	2.5" Extended	1023	895	0.22	25	37
O5DM-NRG	1	Beverage/Bulk Produce	Std. Dairy	1062	930	0.23	25	37
O5DM-NRG	1	Deli/Dairy/Cut Produce	7.5" Extended	1211	1060	0.56	25	31
O5DM-NRG	1	Deli/Dairy/Cut Produce	5" Extended	1234	1080	0.57	25	31
O5DM-NRG	1	Deli/Dairy/Cut Produce	2.5" Extended	1263	1105	0.58	25	31
O5DM-NRG	1	Deli/Dairy/Cut Produce	Std. Dairy	1303	1140	0.60	25	31

SECOND NATURE DATA

Case Model	No. of Coils	Application	Front Sill height	Supply Fluid Temp (°F)	No. of Defrost	Timed-Off Defrost		Warm Fluid Defrost	
						Fail-Safe (Min)	Termination Temp (°F)	Fail-Safe (Min)	Termination Temp (°F)
O5DM-NRG	1	Beverage/Bulk Produce	7.5" Extended	20	6	60	47	26	49
O5DM-NRG	1	Beverage/Bulk Produce	5" Extended	20	6	60	47	26	49
O5DM-NRG	1	Beverage/Bulk Produce	2.5" Extended	20	6	60	47	26	49
O5DM-NRG	1	Beverage/Bulk Produce	Std. Dairy	20	6	60	47	26	49
O5DM-NRG	1	Deli/Dairy/Cut Produce	7.5" Extended	20	6	60	47	26	49
O5DM-NRG	1	Deli/Dairy/Cut Produce	5" Extended	20	6	60	47	26	49
O5DM-NRG	1	Deli/Dairy/Cut Produce	2.5" Extended	20	6	60	47	26	49
O5DM-NRG	1	Deli/Dairy/Cut Produce	Std. Dairy	20	6	60	47	26	49
O5DM-NRG	1	Beverage/Bulk Produce	7.5" Extended	25	6	45	47	26	49
O5DM-NRG	1	Beverage/Bulk Produce	5" Extended	25	6	45	47	26	49
O5DM-NRG	1	Beverage/Bulk Produce	2.5" Extended	25	6	45	47	26	49
O5DM-NRG	1	Beverage/Bulk Produce	Std. Dairy	25	6	45	47	26	49
O5DM-NRG	1	Deli/Dairy/Cut Produce	7.5" Extended	25	6	45	47	26	49
O5DM-NRG	1	Deli/Dairy/Cut Produce	5" Extended	25	6	45	47	26	49
O5DM-NRG	1	Deli/Dairy/Cut Produce	2.5" Extended	25	6	45	47	26	49
O5DM-NRG	1	Deli/Dairy/Cut Produce	Std. Dairy	25	6	45	47	26	49

NOTES:

- All medium temperature data listed is for 35% by wt. PROPYLENE GLYCOL.
- Inhibited Propylene Glycol solution with water, such as Dowfrost or equivalent. (Dowfrost is a trademark of the Dow Chemical Company).
- Flowrates are determined by ASHRAE test conditions and may need to be adjusted based on store conditions.
- ** Flowrates are per case



O5DM-NRG

ALL MEASUREMENTS ARE TAKEN PER ASHRAE-72 SPECIFICATIONS. HILLPHOENIX REFRIGERATED DISPLAY CASES FOR SALE IN THE UNITED STATES MEET OR EXCEED DEPARTMENT OF ENERGY 2017 REQUIREMENTS.

Rev. Date	Rev. #	Rev. Title
12-09-21	10	OPTION PAGE UPDATE
08-09-21	9	ENDVIEW UPDATE

Hillphoenix
A DOVER COMPANY

O5DM-NRG

4', 6', 8' & 12' Multi-Deck Merchandiser with Synerg-E™
Beverage / Bakery / Dairy / Cut Produce / Deli

CORNICHE OPTIONS	CORNICHE OPTIONS					
	CURVED CORNICHE	CURVED CORNICHE WITH NIGHT COVER	FACETED CORNICHE	FACETED CORNICHE WITH NIGHT COVER	FLAT CORNICHE	FLAT CORNICHE WITH STANDARD NIGHT COVER
FRONT OPTIONS	FLAT FRONT 2	STANDARD FRONT 19 7/8" [50.5 cm]	2 1/2" EXTENDED FRONT * 22 3/8" [56.9 cm]	5" EXTENDED FRONT * 25" [63.5 cm]	7 1/2" EXTENDED FRONT * 27 3/8" [69.6 cm]	
	FLAT FRONT	STANDARD FRONT 18 3/4" [47.5 cm]	2 1/2" EXTENDED FRONT * 21 1/4" [53.9 cm]	5" EXTENDED FRONT * 23 3/4" [60.2 cm]	7 1/2" EXTENDED FRONT * 26 1/4" [66.6 cm]	
	CLASSIC 2 METAL	STANDARD FRONT 18 3/4" [47.5 cm]	2 1/2" EXTENDED FRONT * 21 1/4" [53.9 cm]	5" EXTENDED FRONT * 23 3/4" [60.2 cm]	7 1/2" EXTENDED FRONT * 26 1/4" [66.6 cm]	
	CLASSIC 2 POLYMER	STANDARD FRONT 18 3/4" [47.5 cm]	2 1/2" EXTENDED FRONT * 21 1/4" [53.9 cm]	5" EXTENDED FRONT * 23 3/4" [60.2 cm]	7 1/2" EXTENDED FRONT * 26 1/4" [66.6 cm]	
	ORIGIN 2	STANDARD FRONT 18 3/4" [47.5 cm]	2 1/2" EXTENDED FRONT * 21 1/4" [53.9 cm]	5" EXTENDED FRONT * 23 3/4" [60.2 cm]	7 1/2" EXTENDED FRONT * 26 1/4" [66.6 cm]	
	THERMOPANE	6" THERMOPANE FRONT 29 7/8" [75.8 cm]	4" THERMOPANE FRONT 27 7/8" [70.8 cm]	4" THERMOPANE FRONT * 27 7/8" [70.8 cm]	6" THERMOPANE FRONT 29 7/8" [75.9 cm]	

OPTION PAGE NOTES:

* : W & W/O NOSE LIGHT.

- Tag molding materials are PVC, aluminum, or painted aluminum.
- See Ecoblade tech sheet for additional information.



O5DM-NRG

ALL MEASUREMENTS ARE TAKEN PER ASHRAE-72 SPECIFICATIONS. HILLPHOENIX REFRIGERATED DISPLAY CASES FOR SALE IN THE UNITED STATES MEET OR EXCEED DEPARTMENT OF ENERGY 2017 REQUIREMENTS.

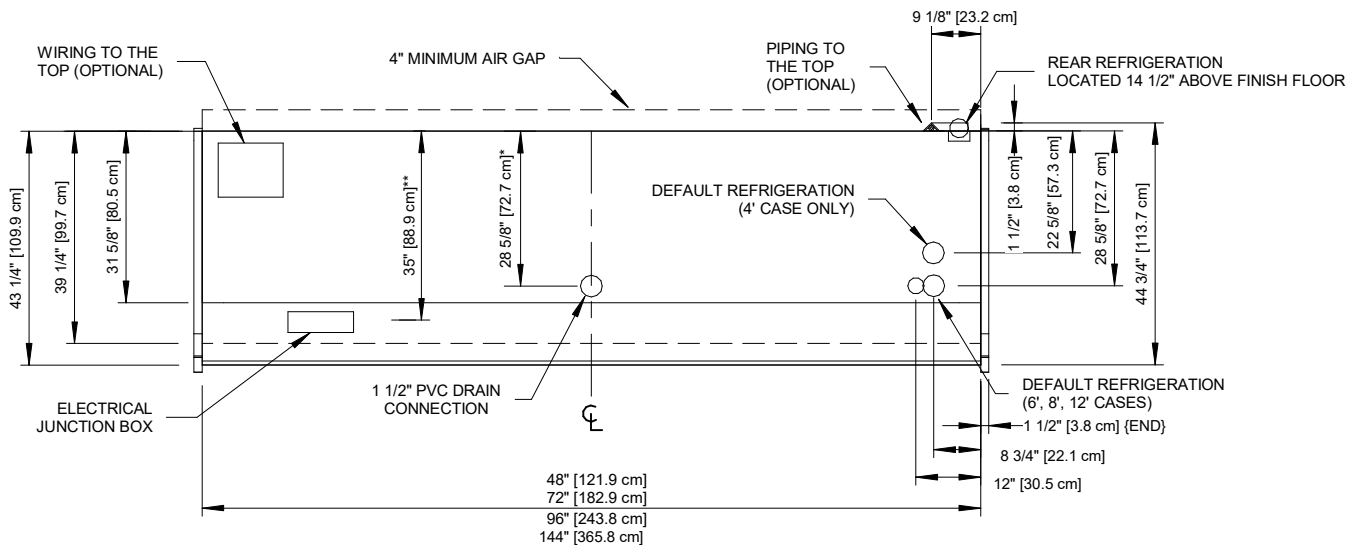
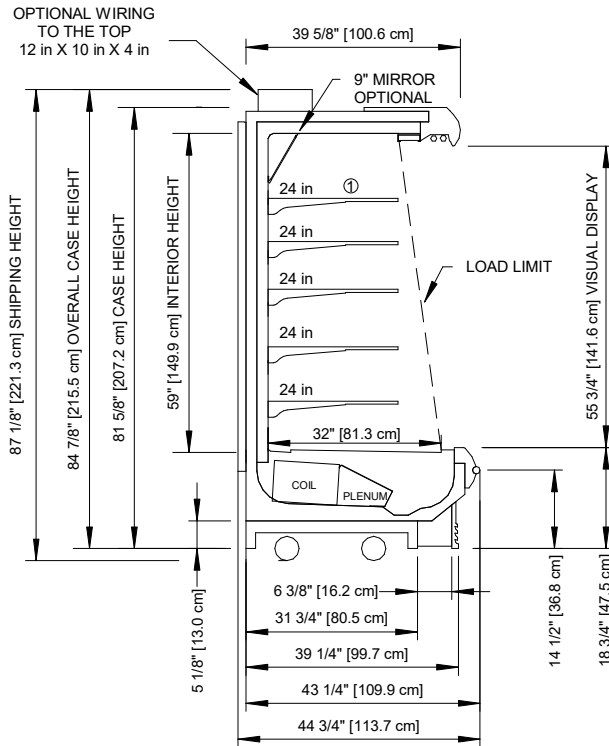
Rev. Date	Rev. #	Rev. Title
12-09-21	10	OPTION PAGE UPDATE
08-09-21	9	ENDVIEW UPDATE



A DOVER COMPANY

O5DM-NRG

4', 6', 8' & 12' Multi-Deck Merchandiser with Synerg-E™
Beverage / Bakery / Dairy / Cut Produce / Deli



NOTES:

* : STUB-UP AREA

** :RECOMMENDED STUP-UP CENTERLINE FOR ELECTRICAL AND DRAINS

① :AVAILABLE SHELF SIZES: 18" & 20" ARTICULATING OR 20", 22", 24", 26" & 27" STANDARD

- Ends add approximately 1" to case height, 1/2" to the back of the case and 1" to the front of the case.
- Back panels add approximately 1" to the rear of the case.



O5DM-NRG

ALL MEASUREMENTS ARE TAKEN PER ASHRAE-72 SPECIFICATIONS. HILLPHOENIX REFRIGERATED DISPLAY CASES FOR SALE IN THE UNITED STATES MEET OR EXCEED DEPARTMENT OF ENERGY 2017 REQUIREMENTS.

Rev. Date	Rev. #	Rev. Title
12-09-21	10	OPTION PAGE UPDATE
08-09-21	9	ENDVIEW UPDATE

