

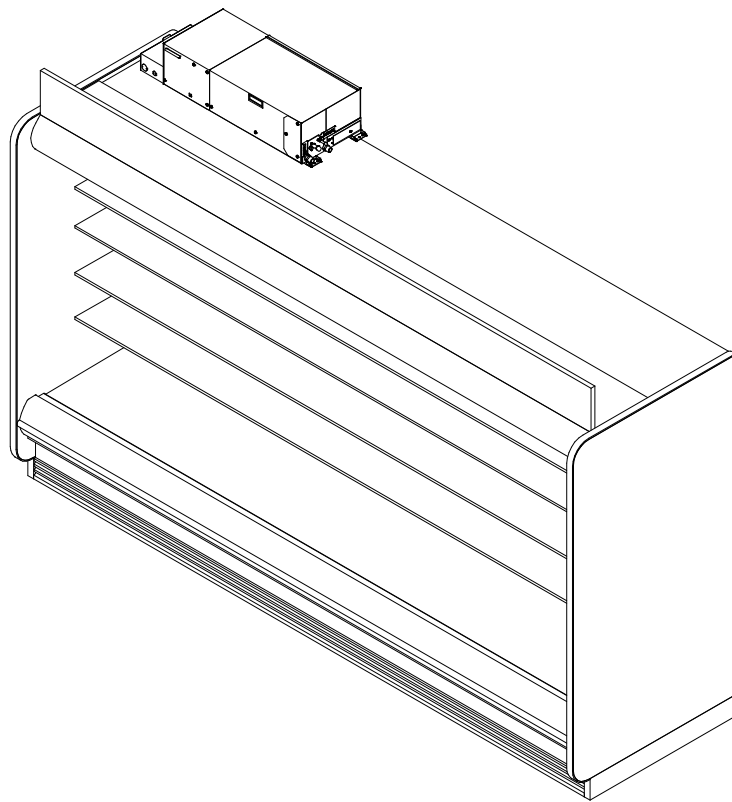
O5DMQA-NRG

4', 6', 8' & 12' Multi-Deck Merchandiser with Synerg-E™
Beverage / Bakery / Dairy / Cut Produce / Deli

SOLOCHILL
MICRO-DISTRIBUTED

GENERAL NOTES:

- "---" indicates that the feature is not an option on this case model and/or the data is not available at this time.
- If the O5DM-NRG case is being lined up to an ORS5DM reach-in case, a 21" front is recommended on the O5DM-NRG for best appearances.
- LED lights only.
- Maximum of 5 rows of Standard Output LED lighted shelves.



SHIPPING WEIGHT	
Case	Weight
O5DMQA-NRG	---



ALL MEASUREMENTS ARE TAKEN PER ASHRAE-72 SPECIFICATIONS. HILLPHOENIX REFRIGERATED DISPLAY CASES FOR SALE IN THE UNITED STATES MEET OR EXCEED DEPARTMENT OF ENERGY 2017 REQUIREMENTS.

O5DMQA-NRG

Rev. Date	Rev. #	Rev. Title
12-09-21	5	OPTION PAGE UPDATE
9-28-20	4	SOLOCHILL V5

Hillphoenix
A DOVER COMPANY

O5DMQA-NRG

4', 6', 8' & 12' Multi-Deck Merchandiser with Synerg-E™
Beverage / Bakery / Dairy / Cut Produce / Deli



ELECTRICAL DATA			
Case Length	Fans Per Case	High Efficiency Fans	
		120 Volt	
		Amps	Watts
4'	1	0.23	18.0
6'	2	0.47	35.0
8'	2	0.47	35.0
12'	3	0.70	53.0

LIGHTING DATA					
Case Length	Lights per row	Clearvoyant v4 LED Lighting (Per Light Row)			
		Standard Power (Cornice or Shelf)		High Power (Cornice Only)	
		120 Volts		120 Volts	
		Amps	Watts	Amps	Watts
4'	1	0.05	5.9	0.12	14.9
6'	2	0.08	9.4	0.20	23.8
8'	2	0.10	11.8	0.25	29.9
12'	3	0.15	17.6	0.37	44.8

DEFROST CONTROLS		
Defrosts Per Day	Fail-Safe (Min)	Termination Temp (°F)
6	40	47

NOTES:

- "---" indicates that the feature is not an option on this case model and/or the data is not available at this time.
- Listed discharge air velocity represents the average velocity immediately after defrost.
- Temperature and defrost settings listed above are recommended start-up settings. Final operational settings may need to be adjusted for the store conditions in which the case operates.



ALL MEASUREMENTS ARE TAKEN PER ASHRAE-72 SPECIFICATIONS. HILLPHOENIX REFRIGERATED DISPLAY CASES FOR SALE IN THE UNITED STATES MEET OR EXCEED DEPARTMENT OF ENERGY 2017 REQUIREMENTS.

O5DMQA-NRG

Rev. Date	Rev. #	Rev. Title
12-09-21	5	OPTION PAGE UPDATE
9-28-20	4	SOLOCHILL V5



A DOVER COMPANY

O5DMQA-NRG

4', 6', 8' & 12' Multi-Deck Merchandiser with Synerg-E™
Beverage / Bakery / Dairy / Cut Produce / Deli



SOLOCHILL DATA			@95° Condensing Temperature
Volts	Phase	Frequency	Wire
208	1	60	3 Wire + Ground

Application	Case Length	Evaporator Temp (°F)	Discharge Air (°F)	Discharge Air Velocity (FPM)
BEVERAGE/BULK PRODUCE	4'	32	37	140
BEVERAGE/BULK PRODUCE	6'	32	37	140
BEVERAGE/BULK PRODUCE	8'	32	37	140
BEVERAGE/BULK PRODUCE	12'	32	37	140
BAKERY/DAIRY/CUT PRODUCE/DELI	4'	26	31	140
BAKERY/DAIRY/CUT PRODUCE/DELI	6'	26	31	140
BAKERY/DAIRY/CUT PRODUCE/DELI	8'	26	31	140
BAKERY/DAIRY/CUT PRODUCE/DELI	12'	26	31	140

Application	Case Length	R448A					
		Condensing Unit Model	MCA	MOP	Required Capacity	THR (BTUH)	Flow Rate
BEVERAGE/BULK PRODUCE	4'	DA091	8.6	15	4428	5532	1.6
BEVERAGE/BULK PRODUCE	6'	DA130	12.0	15	6642	8107	2.3
BEVERAGE/BULK PRODUCE	8'	DA220	18.4	20	8856	10629	3.0
BEVERAGE/BULK PRODUCE	12'	DA330	26.9	30	13284	16194	4.6
BAKERY/DAIRY/CUT PRODUCE/DELI	4'	DA091	8.6	15	5392	6909	2.0
BAKERY/DAIRY/CUT PRODUCE/DELI	6'	DA130	12.0	15	8088	10093	2.9
BAKERY/DAIRY/CUT PRODUCE/DELI	8'	DA220	18.4	20	10784	13175	3.8
BAKERY/DAIRY/CUT PRODUCE/DELI	12'	DA330	26.9	30	16176	20119	5.8



ALL MEASUREMENTS ARE TAKEN PER ASHRAE-72 SPECIFICATIONS. HILLPHOENIX REFRIGERATED DISPLAY CASES FOR SALE IN THE UNITED STATES MEET OR EXCEED DEPARTMENT OF ENERGY 2017 REQUIREMENTS.

O5DMQA-NRG

Rev. Date	Rev. #	Rev. Title
12-09-21	5	OPTION PAGE UPDATE
9-28-20	4	SOLOCHILL V5



A DOVER COMPANY

O5DMQA-NRG

4', 6', 8' & 12' Multi-Deck Merchandiser with Synerg-E™
Beverage / Bakery / Dairy / Cut Produce / Deli



OPTION PAGE NOTES:

- * : W & W/O NOSE LIGHT.
- Tag molding materials are PVC, aluminum, or painted aluminum.
- See Ecoblade tech sheet for additional information.

CORNICE OPTIONS		CURVED CORNICE	CURVED CORNICE WITH NIGHT COVER	FACETED CORNICE	FACETED CORNICE WITH NIGHT COVER	FLAT CORNICE	FLAT CORNICE WITH STANDARD NIGHT COVER
		39 5/8" 	42 7/8" 	39 1/2" 	42 3/4" 	38 3/4" 	41 3/8"
FRONT OPTIONS	FLAT FRONT 2	STANDARD FRONT 19 7/8" [50.5 cm]	2 1/2" EXTENDED FRONT * 22 3/8" [56.9 cm]	5" EXTENDED FRONT * 25" [63.5 cm]	7 1/2" EXTENDED FRONT * 27 3/8" [69.6 cm]		
	FLAT FRONT	STANDARD FRONT 18 3/4" [47.5 cm]	2 1/2" EXTENDED FRONT * 21 1/4" [53.9 cm]	5" EXTENDED FRONT * 23 3/4" [60.2 cm]	7 1/2" EXTENDED FRONT * 26 1/4" [66.6 cm]		
	CLASSIC 2 METAL	STANDARD FRONT 18 3/4" [47.5 cm]	2 1/2" EXTENDED FRONT * 21 1/4" [53.9 cm]	5" EXTENDED FRONT * 23 3/4" [60.2 cm]	7 1/2" EXTENDED FRONT * 26 1/4" [66.6 cm]		
	CLASSIC 2 POLYMER	STANDARD FRONT 18 3/4" [47.5 cm]	2 1/2" EXTENDED FRONT * 21 1/4" [53.9 cm]	5" EXTENDED FRONT * 23 3/4" [60.2 cm]	7 1/2" EXTENDED FRONT * 26 1/4" [66.6 cm]		
	ORIGIN 2	STANDARD FRONT 18 3/4" [47.5 cm]	2 1/2" EXTENDED FRONT * 21 1/4" [53.9 cm]	5" EXTENDED FRONT * 23 3/4" [60.2 cm]	7 1/2" EXTENDED FRONT * 26 1/4" [66.6 cm]		
	THERMOPANE	6" THERMOPANE FRONT 29 7/8" [75.8 cm]	4" THERMOPANE FRONT 27 7/8" [70.8 cm]	4" THERMOPANE FRONT * 27 7/8" [70.8 cm]	6" THERMOPANE FRONT 29 7/8" [75.9 cm]		



O5DMQA-NRG

ALL MEASUREMENTS ARE TAKEN PER ASHRAE-72 SPECIFICATIONS. HILLPHOENIX REFRIGERATED DISPLAY CASES FOR SALE IN THE UNITED STATES MEET OR EXCEED DEPARTMENT OF ENERGY 2017 REQUIREMENTS.

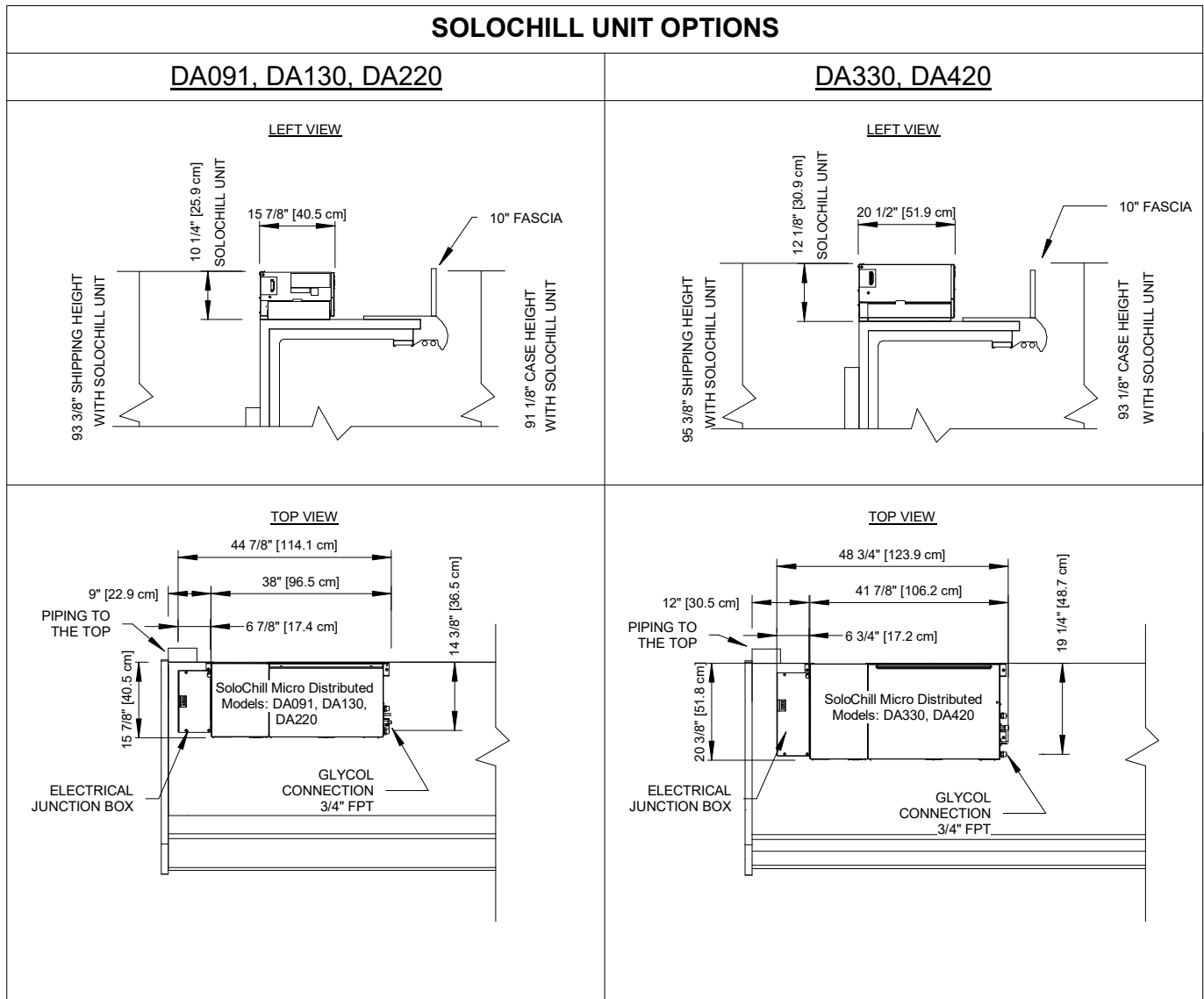
Rev. Date	Rev. #	Rev. Title
12-09-21	5	OPTION PAGE UPDATE
9-28-20	4	SOLOCHILL V5



A DOVER COMPANY

O5DMQA-NRG

4', 6', 8' & 12' Multi-Deck Merchandiser with Synerg-E™
Beverage / Bakery / Dairy / Cut Produce / Deli



ALL MEASUREMENTS ARE TAKEN PER ASHRAE-72 SPECIFICATIONS. HILLPHOENIX REFRIGERATED DISPLAY CASES FOR SALE IN THE UNITED STATES MEET OR EXCEED DEPARTMENT OF ENERGY 2017 REQUIREMENTS.

O5DMQA-NRG

Rev. Date	Rev. #	Rev. Title
12-09-21	5	OPTION PAGE UPDATE
9-28-20	4	SOLOCHILL V5

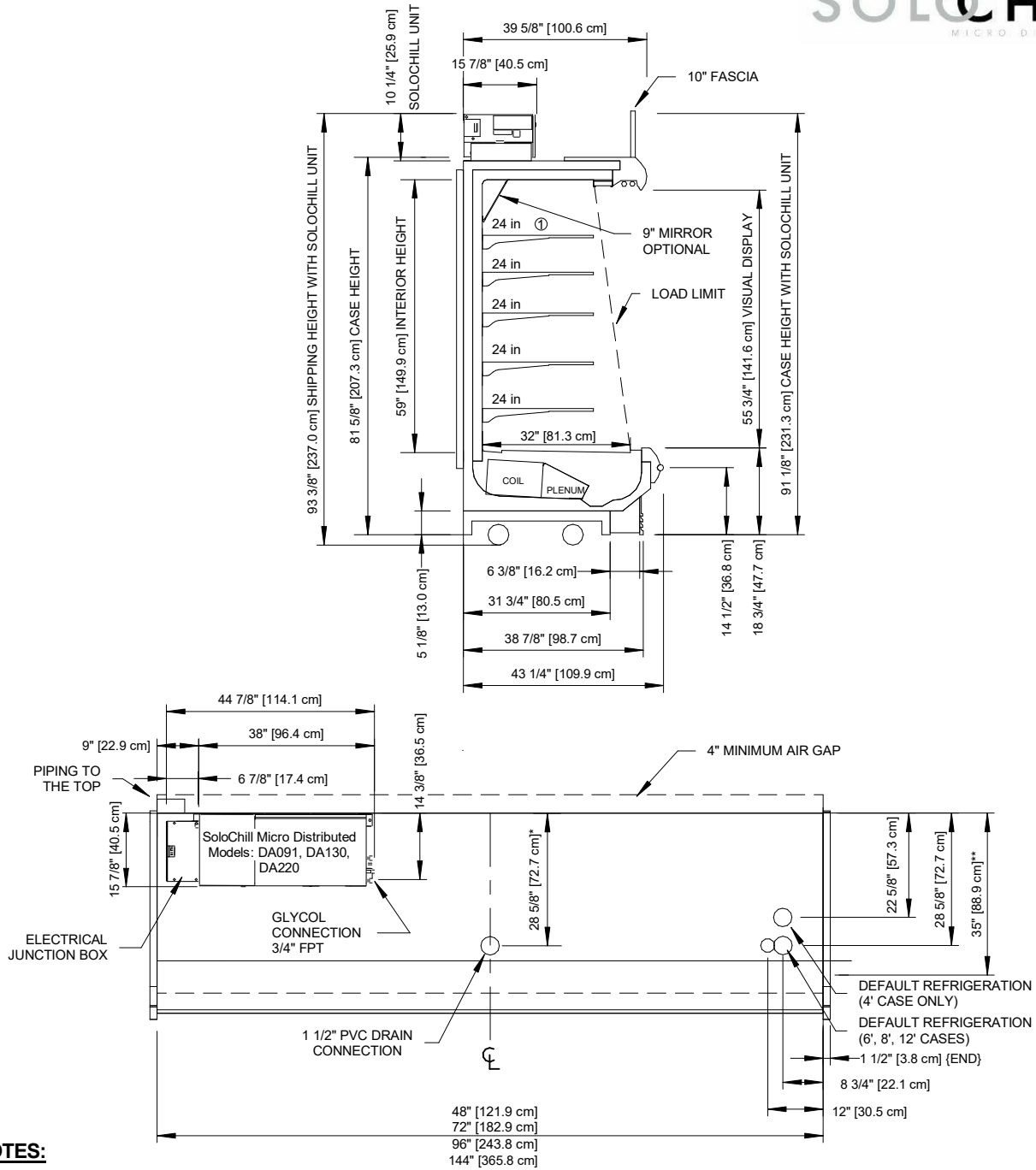


A DOVER COMPANY

O5DMQA-NRG

4', 6', 8' & 12' Multi-Deck Merchandiser with Synerg-E™
Beverage / Bakery / Dairy / Cut Produce / Deli

SOLOCHILL
MICRO-DISTRIBUTED



NOTES:

- * : STUB-UP AREA
- ** : RECOMMENDED STUP-UP CENTERLINE FOR ELECTRICAL AND DRAINS
- ① : AVAILABLE SHELF SIZES: 18" & 20" ARTICULATING OR 20", 22", 24", 26" & 27" STANDARD

- Back panels add approximately 1" to the rear of the case.
- Ends add approximately 1" to case height, 1/2" to the back of the case and 1" to the front of the case.



O5DMQA-NRG

ALL MEASUREMENTS ARE TAKEN PER ASHRAE-72 SPECIFICATIONS. HILLPHOENIX REFRIGERATED DISPLAY CASES FOR SALE IN THE UNITED STATES MEET OR EXCEED DEPARTMENT OF ENERGY 2017 REQUIREMENTS.

Rev. Date	Rev. #	Rev. Title
12-09-21	5	OPTION PAGE UPDATE
9-28-20	4	SOLOCHILL V5

Hillphoenix
A DOVER COMPANY