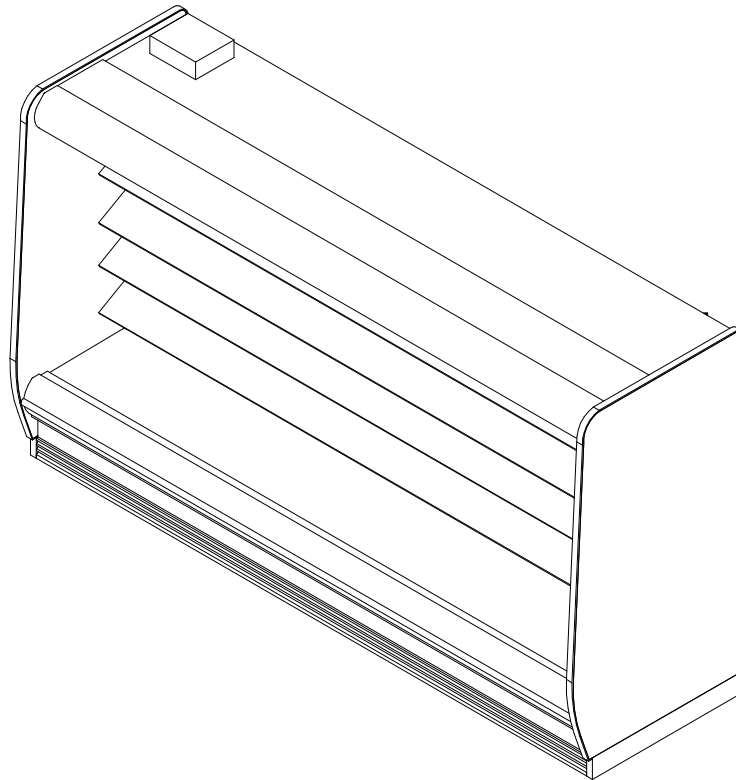


# O5M-NRG

4', 6', 8' & 12' Multi-Deck Merchandiser with Synerg-E™  
Deli / Meat / Seafood

**GENERAL NOTES:**

- "---" indicates that the feature is not an option for this case model and/or the data is not available yet.
- LED lights only.
- Maximum of 5 rows of Standard Output LED lighted shelves.



SHIPPING WEIGHT	
Case	Weight
O5M-NRG	---



ALL MEASUREMENTS ARE TAKEN PER ASHRAE-72 SPECIFICATIONS. HILLPHOENIX REFRIGERATED DISPLAY CASES FOR SALE IN THE UNITED STATES MEET OR EXCEED DEPARTMENT OF ENERGY 2017 REQUIREMENTS.

**O5M-NRG**

Rev. Date	Rev. #	Rev. Title
12-13-21	9	OPTION PAGE UPDATE
07-15-21	8	ENDVIEW UPDATE



# O5M-NRG

4', 6', 8' & 12' Multi-Deck Merchandiser with Synerg-E™  
Deli / Meat / Seafood

ELECTRICAL DATA			
Case Length	Fans Per Case	High Efficiency Fans	
		120 Volt	
		Amps	Watts
4'	2	0.46	36.0
6'	4	0.94	70.0
8'	4	0.94	70.0
12'	6	1.40	106.0

LIGHTING DATA					
Case Length	Lights per row	Clearvoyant v4 LED Lighting (Per Light Row)			
		Standard Power (Cornice or Shelf)		High Power (Cornice Only)	
		120 Volts		120 Volts	
		Amps	Watts	Amps	Watts
4'	1	0.05	5.9	0.12	14.9
6'	2	0.08	9.4	0.20	23.8
8'	2	0.10	11.8	0.25	29.9
12'	3	0.15	17.6	0.37	44.8

GUIDELINES AND CONTROL SETTINGS					
BTUH/ft		Superheat Set Point @ Bulb (°F)	Evaporator (°F)	Discharge Air (°F)	Discharge Air Velocity (FPM)
Conventional	Parallel				
1486	1300	6 - 8	26	30	240

DEFROST CONTROLS		
Defrosts Per Day	Timed-Off Defrost	
	Fail-Safe (Min)	Termination Temp (F)
6	40	47

## NOTES:

- "----" indicates that the feature is not an option for this case model and/or the data is not available yet.
- Listed BTUH/ft data represent unlighted shelves. For LED lighting, add 9 BTUH/ft per row of lighted shelving.
- BTUH load increases by 132 BTUH/ft when aftermarket merchandising accessories are utilized.
- Listed evaporator temperature represents unlighted shelves. For lighted shelves and/or aftermarket merchandising accessories, reduce the listed evaporator temperature by 2°F.
- Conventional Discharge Air Control – Recommended Settings: Cut-In Temp = Discharge Air + 2°F; Cut-Out Temp = Discharge Air - 2°F.
- Listed discharge air velocity represents the average velocity immediately after defrost.
- Temperature and defrost settings listed above are recommended start-up settings. Final operational settings may need to be adjusted for the store conditions in which the case operates.
- The recommended evaporator temperatures may need to be adjusted based on system setup, store conditions, etc. The minimum recommended evaporator temperature is 4°F below the listed evaporator temperature.



ALL MEASUREMENTS ARE TAKEN PER ASHRAE-72 SPECIFICATIONS. HILLPHOENIX REFRIGERATED DISPLAY CASES FOR SALE IN THE UNITED STATES MEET OR EXCEED DEPARTMENT OF ENERGY 2017 REQUIREMENTS.

## O5M-NRG

Rev. Date	Rev. #	Rev. Title
12-13-21	9	OPTION PAGE UPDATE
07-15-21	8	ENDVIEW UPDATE

**Hillphoenix**  
A DOVER COMPANY

# O5M-NRG

4', 6', 8' & 12' Multi-Deck Merchandiser with Synerg-E™  
Deli / Meat / Seafood

SECOND NATURE DATA								
Case Model	No. of Coils	Application	Front Sill height	BTUH/FT		GPM/ft (DR)	Supply Fluid Temp (°F)	Discharge Air Temp (°F)
				Conventional	Parallel			
O5M-NRG	1	Meat/Seafood	6" Thermopane	1486	1300	0.38	20	30
O5M-NRG	1	Meat/Seafood	6" Thermopane	1486	1300	0.90	25	30

SECOND NATURE DATA									
Case Model	No. of Coils	Application	Front Sill height	Supply Fluid Temp (°F)	No. of Defrost	Timed-Off Defrost		Warm Fluid Defrost	
						Fail-Safe (Min)	Termination Temp (°F)	Fail-Safe (Min)	Termination Temp (°F)
O5M-NRG	1	Meat/Seafood	6" Thermopane	20	6	60	47	26	49
O5M-NRG	1	Meat/Seafood	6" Thermopane	25	6	45	42	26	49

**NOTES:**

- All medium temperature data listed is for 35% by wt. PROPYLENE GLYCOL.
- Inhibited Propylene Glycol solution with water, such as Dowfrost or equivalent. (Dowfrost is a trademark of the Dow Chemical Company).
- Flowrates are determined by ASHRAE test conditions and may need to be adjusted based on store conditions.
- \*\* Flowrates are per case



**O5M-NRG**

ALL MEASUREMENTS ARE TAKEN PER ASHRAE-72 SPECIFICATIONS. HILLPHOENIX REFRIGERATED DISPLAY CASES FOR SALE IN THE UNITED STATES MEET OR EXCEED DEPARTMENT OF ENERGY 2017 REQUIREMENTS.

Rev. Date	Rev. #	Rev. Title
12-13-21	9	OPTION PAGE UPDATE
07-15-21	8	ENDVIEW UPDATE



# O5M-NRG

4', 6', 8' & 12' Multi-Deck Merchandiser with Synerg-E™  
Deli / Meat / Seafood

FRONT OPTIONS	CORNICE OPTIONS					
	CURVED CORNICE 39 3/4"	CURVED CORNICE WITH NIGHT COVER 43"	FACETED CORNICE 39 5/8"	FACETED CORNICE WITH NIGHT COVER 42 7/8"	FLAT CORNICE 38 7/8"	FLAT CORNICE WITH STANDARD NIGHT COVER 41 1/2"
FRONT OPTIONS	FLAT FRONT 2	STANDARD FRONT 19 7/8" [50.5 cm]	2 1/2" EXTENDED FRONT * 22 3/8" [56.9 cm]	5" EXTENDED FRONT * 25" [63.5 cm]	7 1/2" EXTENDED FRONT * 27 3/8" [69.6 cm]	
	FLAT FRONT	STANDARD FRONT 18 3/4" [47.5 cm]	2 1/2" EXTENDED FRONT * 21 1/4" [53.9 cm]	5" EXTENDED FRONT * 23 3/4" [60.2 cm]	7 1/2" EXTENDED FRONT * 26 1/4" [66.6 cm]	
	CLASSIC 2 METAL	STANDARD FRONT 18 3/4" [47.5 cm]	2 1/2" EXTENDED FRONT * 21 1/4" [53.9 cm]	5" EXTENDED FRONT * 23 3/4" [60.2 cm]	7 1/2" EXTENDED FRONT * 26 1/4" [66.6 cm]	
	CLASSIC 2 POLYMER	STANDARD FRONT 18 3/4" [47.5 cm]	2 1/2" EXTENDED FRONT * 21 1/4" [53.9 cm]	5" EXTENDED FRONT * 23 3/4" [60.2 cm]	7 1/2" EXTENDED FRONT * 26 1/4" [66.6 cm]	
	ORIGIN 2	STANDARD FRONT 18 3/4" [47.5 cm]	2 1/2" EXTENDED FRONT * 21 1/4" [53.9 cm]	5" EXTENDED FRONT * 23 3/4" [60.2 cm]	7 1/2" EXTENDED FRONT * 26 1/4" [66.6 cm]	
	THERMOPANE	6" THERMOPANE FRONT 29 7/8" [75.8 cm]	4" THERMOPANE FRONT 27 7/8" [70.8 cm]	4" THERMOPANE FRONT * 27 7/8" [70.8 cm]	6" THERMOPANE FRONT 29 7/8" [75.9 cm]	

**NOTES:**

\* : W & W/O NOSE LIGHT.

- Extended front sills are required on meat applications.
- Tag molding materials are PVC, aluminum, or painted aluminum.
- See Ecoblade tech sheet for additional information.

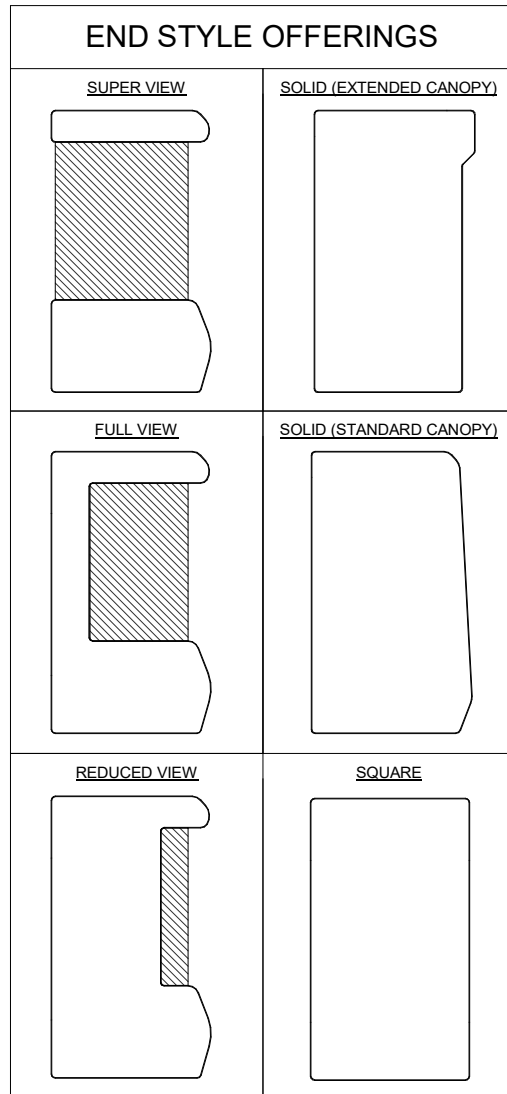


**O5M-NRG**

ALL MEASUREMENTS ARE TAKEN PER ASHRAE-72 SPECIFICATIONS. HILLPHOENIX REFRIGERATED DISPLAY CASES FOR SALE IN THE UNITED STATES MEET OR EXCEED DEPARTMENT OF ENERGY 2017 REQUIREMENTS.

Rev. Date	Rev. #	Rev. Title
12-13-21	9	OPTION PAGE UPDATE
07-15-21	8	ENDVIEW UPDATE





**NOTES:**

- Ends shown are for general use only. Shape, size, and appearance are subject to change based on engineering configuration.
- Hatched regions represent glass inserts.
- Ends add approximately 1" to case height, 1/2" to the back & 1" to the front.
- Ends are available with either polymer end trim or metal end trim.



ALL MEASUREMENTS ARE TAKEN PER ASHRAE-72 SPECIFICATIONS. HILLPHOENIX REFRIGERATED DISPLAY CASES FOR SALE IN THE UNITED STATES MEET OR EXCEED DEPARTMENT OF ENERGY 2017 REQUIREMENTS.

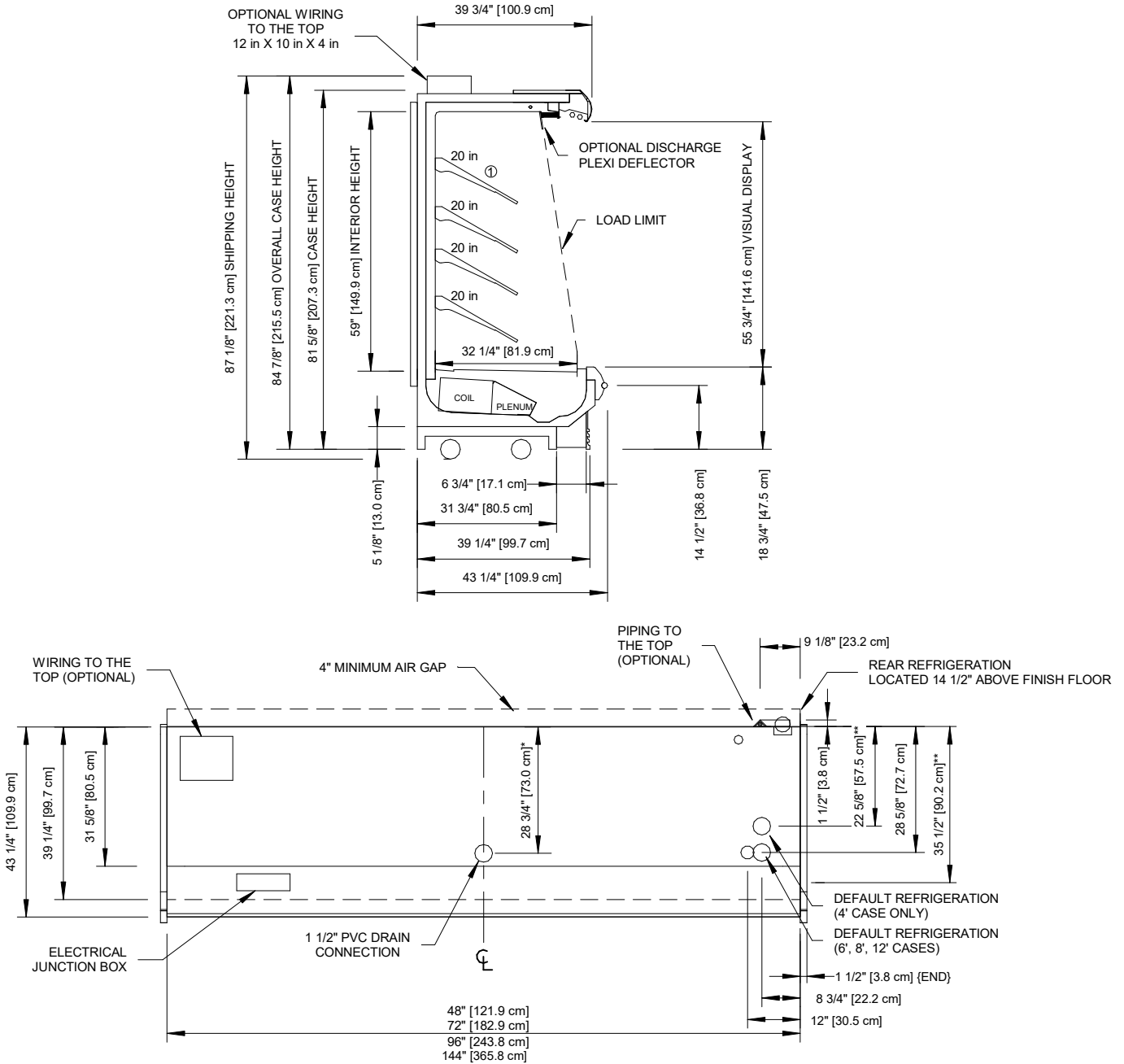
**O5M-NRG**

Rev. Date	Rev. #	Rev. Title
12-13-21	9	OPTION PAGE UPDATE
07-15-21	8	ENDVIEW UPDATE



# O5M-NRG

## 4', 6', 8' & 12' Multi-Deck Merchandiser with Synerg-E™ Deli / Meat / Seafood



**NOTES:**

- \* : STUB-UP AREA
- \*\* : RECOMMENDED STUP-UP CENTERLINE FOR ELECTRICAL AND HUB DRAINS
- ① : AVAILABLE SHELF SIZES: 10", 12", 14", 16", 18", 20"

• Ends add approximately 1" to case height, 1" to the front and 1/2" to case height.



ALL MEASUREMENTS ARE TAKEN PER ASHRAE-72 SPECIFICATIONS. HILLPHOENIX REFRIGERATED DISPLAY CASES FOR SALE IN THE UNITED STATES MEET OR EXCEED DEPARTMENT OF ENERGY 2017 REQUIREMENTS.

### O5M-NRG

Rev. Date	Rev. #	Rev. Title
12-13-21	9	OPTION PAGE UPDATE
07-15-21	8	ENDVIEW UPDATE

