

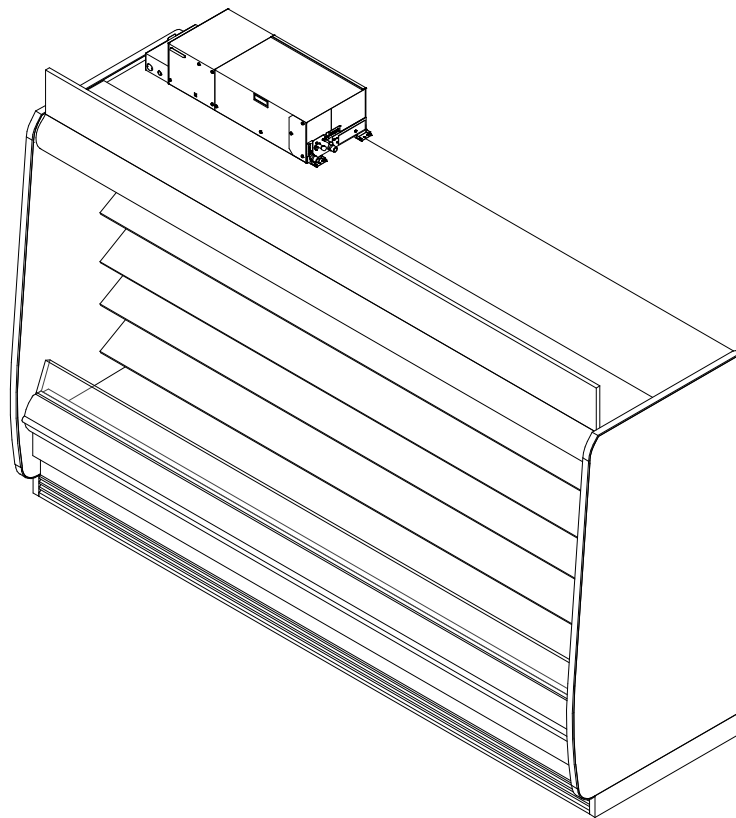
# O5MHQA-NRG

4', 6', 8' & 12' High Multi-Deck Merchandiser with Synerg-E™  
Deli / Meat

**SOLOCHILL**  
MICRO-DISTRIBUTED

**GENERAL NOTES:**

- "---" indicates that the feature is not an option for this case model and/or the data is not available yet.
- LED lights only.
- Maximum of 5 rows of Standard Output LED lighted shelves.



SHIPPING WEIGHT	
Case	Weight
O5MHQA-NRG	---



ALL MEASUREMENTS ARE TAKEN PER ASHRAE-72-2005 SPECIFICATIONS. HILLPHOENIX REFRIGERATED DISPLAY CASES FOR SALE IN THE UNITED STATES MEET OR EXCEED DEPARTMENT OF ENERGY 2017 REQUIREMENTS.

**O5MHQA-NRG**

Rev. Date	Rev. #	Rev. Title
9-28-20	4	SOLOCHILL V5
2-10-20	3	FASCIA UPDATE

**Hillphoenix**  
A DOVER COMPANY

# O5MHQA-NRG

4', 6', 8' & 12' High Multi-Deck Merchandiser with Synerg-E™  
Deli / Meat



ELECTRICAL DATA			
Case Length	Fans Per Case	High Efficiency Fans	
		120 Volt	
		Amps	Watts
4'	2	0.46	36.0
6'	4	0.94	70.0
8'	4	0.94	70.0
12'	6	1.40	106.0

LIGHTING DATA					
Case Length	Lights per row	Clearvoyant v4 LED Lighting (Per Light Row)			
		Standard Power (Cornice or Shelf)		High Power (Cornice Only)	
		120 Volts		120 Volts	
		Amps	Watts	Amps	Watts
4'	1	0.05	5.9	0.12	14.9
6'	2	0.08	9.4	0.20	23.8
8'	2	0.10	11.8	0.25	29.9
12'	3	0.15	17.6	0.37	44.8

DEFROST CONTROLS		
Defrosts Per Day	Timed-Off Defrost	
	Fail-Safe (Min)	Termination Temp (F)
6	40	47

**NOTES:**

- "---" indicates that the feature is not an option for this case model and/or the data is not available yet.
- Listed discharge air velocity represents the average velocity immediately after defrost.
- Temperature and defrost settings listed above are recommended start-up settings. Final operational settings may need to be adjusted for the store conditions in which the case operates.



ALL MEASUREMENTS ARE TAKEN PER ASHRAE-72-2005 SPECIFICATIONS. HILLPHOENIX REFRIGERATED DISPLAY CASES FOR SALE IN THE UNITED STATES MEET OR EXCEED DEPARTMENT OF ENERGY 2017 REQUIREMENTS.

**O5MHQA-NRG**

Rev. Date	Rev. #	Rev. Title
9-28-20	4	SOLOCHILL V5
2-10-20	3	FASCIA UPDATE



A DOVER COMPANY

# O5MHQA-NRG

4', 6', 8' & 12' High Multi-Deck Merchandiser with Synerg-E™  
Deli / Meat



SOLOCHILL DATA			@95° Condensing Temperature		
Volts	Phase	Frequency	Wire		
208	1	60	3 Wire + Ground		
Application		Case Length	Evaporator Temp (°F)	Discharge Air (°F)	Discharge Air Velocity (FPM)
MEAT		4'	24	30	270
MEAT		6'	24	30	270
MEAT		8'	24	30	270
MEAT		12'	24	30	270

Application	Case Length	R448A					
		Condensing Unit Model	MCA	MOP	Required Capacity	THR (BTUH)	Flow Rate
MEAT	4'	DA130	11.5	15	7896	9935	2.8
MEAT	6'	DA220	18.7	20	11844	14563	4.2
MEAT	8'	DA330	26.5	30	15792	19796	5.7
MEAT	12'	DA420	37.8	40	23688	29372	8.4



ALL MEASUREMENTS ARE TAKEN PER ASHRAE-72-2005 SPECIFICATIONS. HILLPHOENIX REFRIGERATED DISPLAY CASES FOR SALE IN THE UNITED STATES MEET OR EXCEED DEPARTMENT OF ENERGY 2017 REQUIREMENTS.

## O5MHQA-NRG

Rev. Date	Rev. #	Rev. Title
9-28-20	4	SOLOCHILL V5
2-10-20	3	FASCIA UPDATE



A DOVER COMPANY

# O5MHQA-NRG

4', 6', 8' & 12' High Multi-Deck Merchandiser with Synerg-E™  
Deli / Meat



**NOTES:**

- Extended front sills are required on meat applications.

FRONT OPTIONS	CORNICE OPTIONS	CURVED CORNICE	CURVED CORNICE WITH NIGHT COVER	FACETED CORNICE	FACETED CORNICE WITH NIGHT COVER	FLAT CORNICE	FLAT CORNICE WITH STANDARD NIGHT COVER
		39 5/8"	42 7/8"	39 1/2"	42 3/4"	38 3/4"	41 3/8"
FRONT OPTIONS	FLAT FRONT 2	STANDARD FRONT 19 7/8" [50.5 cm]	2 1/2" EXTENDED FRONT W/ & W/O NOSE LIGHT 22 3/8" [56.9 cm]	5" EXTENDED FRONT W/ & W/O NOSE LIGHT 25" [63.5 cm]	7 1/2" EXTENDED FRONT 27 3/8" [69.6 cm]		
	FLAT FRONT	STANDARD FRONT 18 11/16" [47.5 cm]	2 1/2" EXTENDED FRONT W/ & W/O NOSE LIGHT 21 3/16" [53.9 cm]	5" EXTENDED FRONT W/ & W/O NOSE LIGHT 23 11/16" [60.2 cm]	7 1/2" EXTENDED FRONT 26 3/16" [66.6 cm]		
	CLASSIC 2 METAL	STANDARD FRONT 18 11/16" [47.5 cm]	2 1/2" EXTENDED FRONT W/ & W/O NOSE LIGHT 21 3/16" [53.9 cm]	5" EXTENDED FRONT W/ & W/O NOSE LIGHT 23 11/16" [60.2 cm]	7 1/2" EXTENDED FRONT 26 3/16" [66.6 cm]		
	CLASSIC 2 POLYMER	STANDARD FRONT 18 11/16" [47.5 cm]	2 1/2" EXTENDED FRONT W/ & W/O NOSE LIGHT 21 3/16" [53.9 cm]	5" EXTENDED FRONT W/ & W/O NOSE LIGHT 23 11/16" [60.2 cm]	7 1/2" EXTENDED FRONT 26 3/16" [66.6 cm]		
	ORIGIN 2	STANDARD FRONT 18 11/16" [47.5 cm]	2 1/2" EXTENDED FRONT W/ & W/O NOSE LIGHT 21 3/16" [53.9 cm]	5" EXTENDED FRONT W/ & W/O NOSE LIGHT 23 11/16" [60.2 cm]	7 1/2" EXTENDED FRONT 26 3/16" [66.6 cm]		
	THERMOPANE	6" THERMOPANE FRONT 29 7/8" [75.8 cm]	4" THERMOPANE FRONT 27 7/8" [70.8 cm]	4" THERMOPANE FRONT W/T NOSE LIGHT 27 7/8" [70.8 cm]	6" THERMOPANE FRONT 29 7/8" [75.9 cm]		



COMPONENT

ALL MEASUREMENTS ARE TAKEN PER ASHRAE-72-2005 SPECIFICATIONS. HILLPHOENIX REFRIGERATED DISPLAY CASES FOR SALE IN THE UNITED STATES MEET OR EXCEED DEPARTMENT OF ENERGY 2017 REQUIREMENTS.

## O5MHQA-NRG

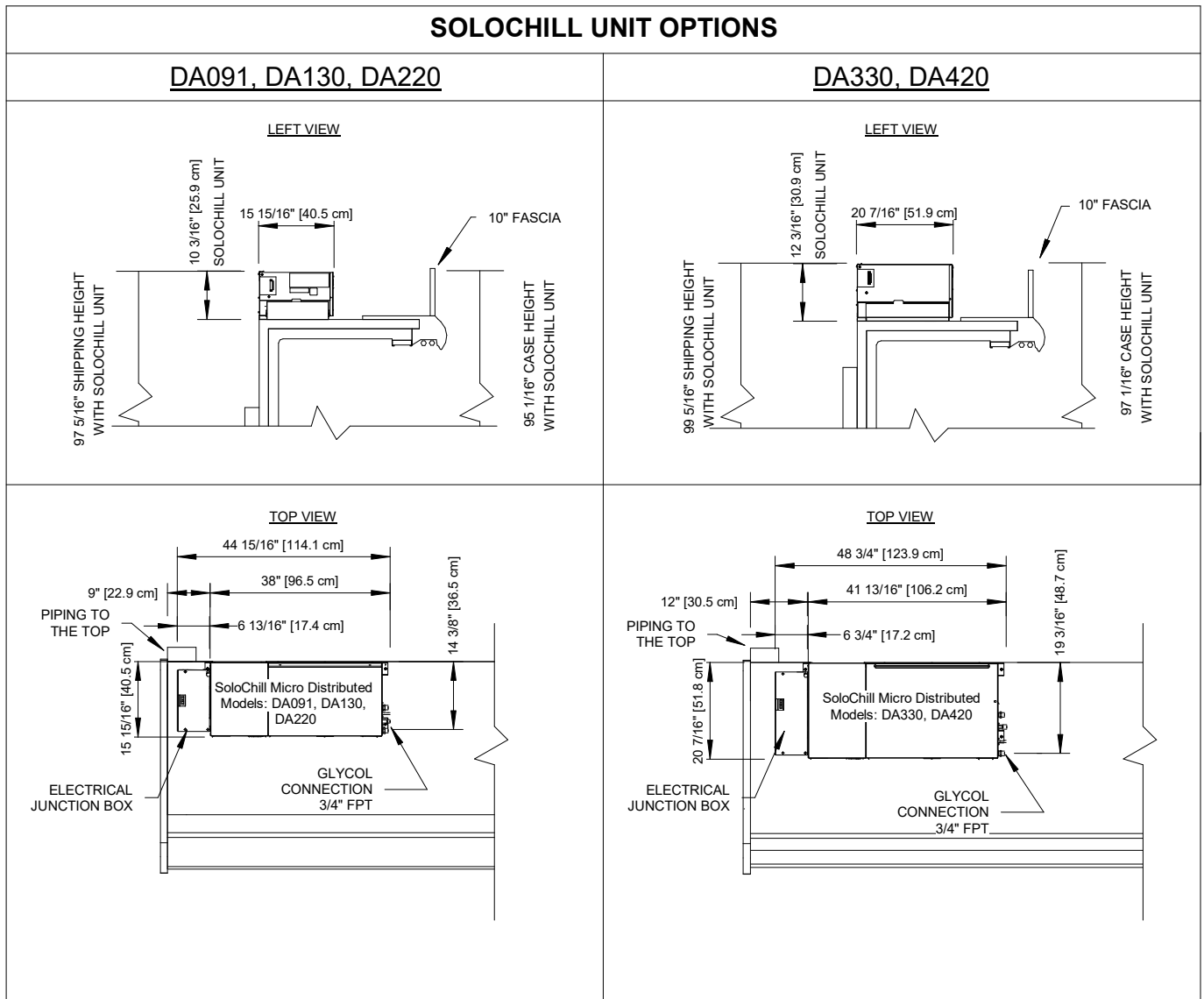
Rev. Date	Rev. #	Rev. Title
9-28-20	4	SOLOCHILL V5
2-10-20	3	FASCIA UPDATE



A DOVER COMPANY

# O5MHQA-NRG

4', 6', 8' & 12' High Multi-Deck Merchandiser with Synerg-E™  
Deli / Meat



ALL MEASUREMENTS ARE TAKEN PER ASHRAE-72-2005 SPECIFICATIONS. HILLPHOENIX REFRIGERATED DISPLAY CASES FOR SALE IN THE UNITED STATES MEET OR EXCEED DEPARTMENT OF ENERGY 2017 REQUIREMENTS.

## O5MHQA-NRG

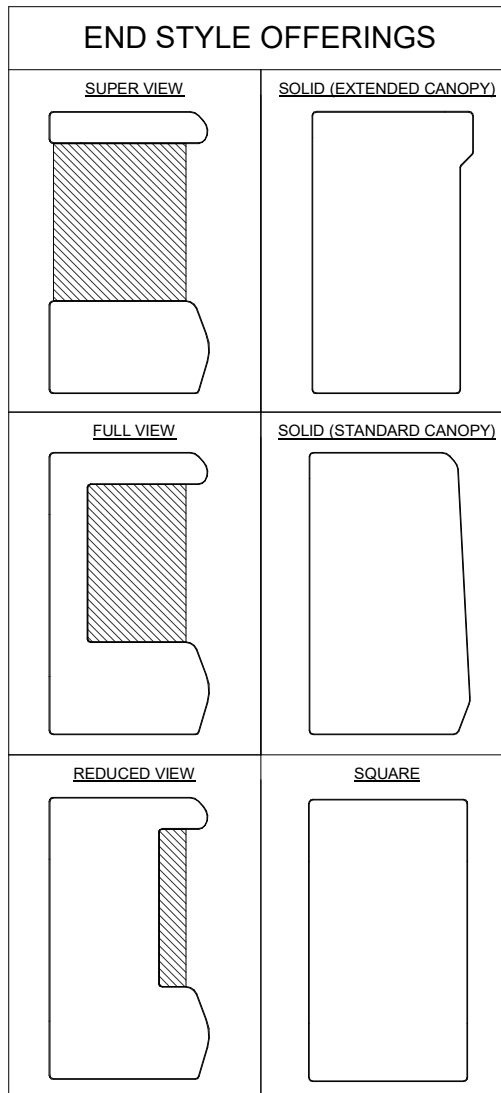
Rev. Date	Rev. #	Rev. Title
9-28-20	4	SOLOCHILL V5
2-10-20	3	FASCIA UPDATE



A DOVER COMPANY

# O5MHQA-NRG

4', 6', 8' & 12' High Multi-Deck Merchandiser with Synerg-E™  
Deli / Meat



**NOTES:**

- Ends shown are for general use only. Shape, size, and appearance are subject to change based on engineering configuration.
- Hatched regions represent glass inserts.
- Ends add approximately 1" to case height, 1/2" to the back & 1" to the front.
- Ends are available with either polymer end trim or metal end trim.



ALL MEASUREMENTS ARE TAKEN PER ASHRAE-72-2005 SPECIFICATIONS. HILLPHOENIX REFRIGERATED DISPLAY CASES FOR SALE IN THE UNITED STATES MEET OR EXCEED DEPARTMENT OF ENERGY 2017 REQUIREMENTS.

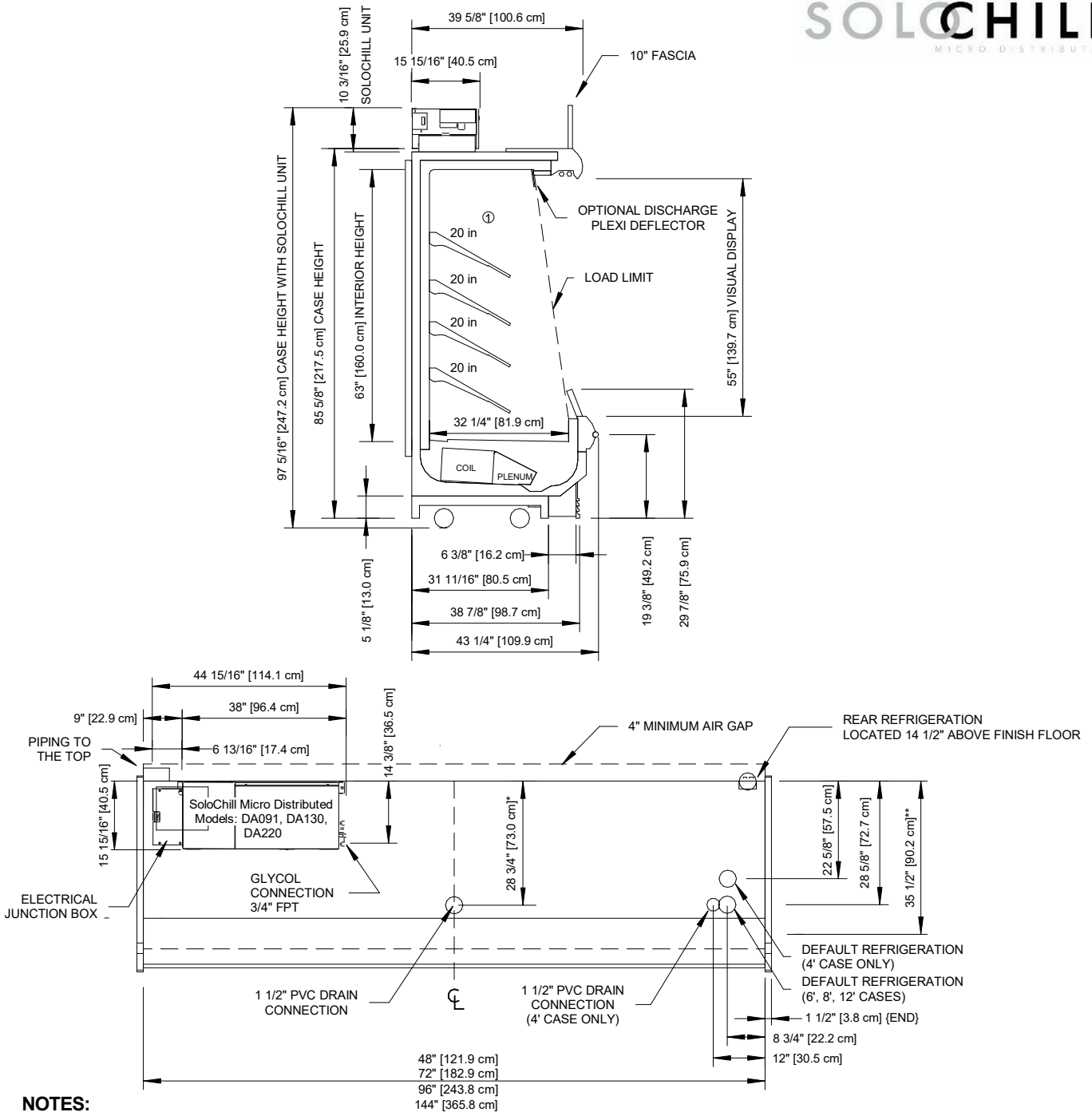
**O5MHQA-NRG**

Rev. Date	Rev. #	Rev. Title
9-28-20	4	SOLOCHILL V5
2-10-20	3	FASCIA UPDATE



# O5MHQA-NRG

4', 6', 8' & 12' High Multi-Deck Merchandiser with Synerg-E™  
Deli / Meat



**NOTES:**

- \* : STUB-UP AREA
- \*\* : RECOMMENDED STUB-UP CENTERLINE FOR ELECTRICAL AND HUB DRAINS
- ① : AVAILABLE SHELF SIZES: 18" & 20" ARTICULATING OR 20", 22", 24", 26" & 27" STANDARD

• Ends add approximately 1" to case height, 1" to the front and 1/2" to case height.



## O5MHQA-NRG

ALL MEASUREMENTS ARE TAKEN PER ASHRAE-72-2005 SPECIFICATIONS. HILLPHOENIX REFRIGERATED DISPLAY CASES FOR SALE IN THE UNITED STATES MEET OR EXCEED DEPARTMENT OF ENERGY 2017 REQUIREMENTS.

Rev. Date	Rev. #	Rev. Title
9-28-20	4	SOLOCHILL V5
2-10-20	3	FASCIA UPDATE



A DOVER COMPANY