

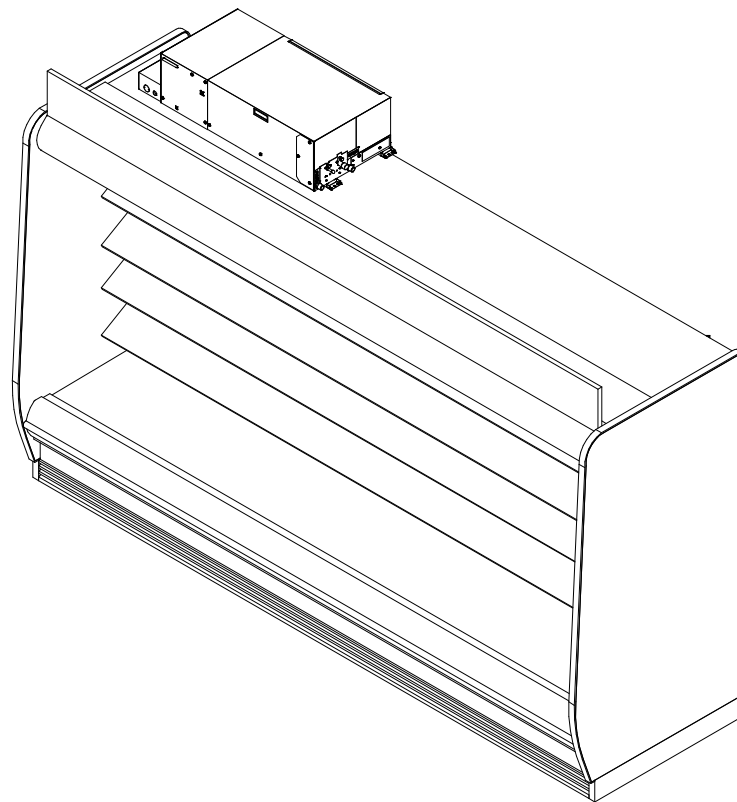
O5MQA-NRG

4', 6', 8' & 12' Multi-Deck Merchandiser with Synerg-E™
Deli / Meat / Seafood

SOLOCHILL
MICRO-DISTRIBUTED

GENERAL NOTES:

- "---" indicates that the feature is not an option for this case model and/or the data is not available yet.
- LED lights only.
- Maximum of 5 rows of Standard Output LED lighted shelves.



SHIPPING WEIGHT	
Case	Weight
O5MQA-NRG	---



ALL MEASUREMENTS ARE TAKEN PER ASHRAE-72 SPECIFICATIONS. HILLPHOENIX REFRIGERATED DISPLAY CASES FOR SALE IN THE UNITED STATES MEET OR EXCEED DEPARTMENT OF ENERGY 2017 REQUIREMENTS.

O5MQA-NRG

Rev. Date	Rev. #	Rev. Title
12-13-21	6	OPTION PAGE UPDATE
9-28-20	5	SOLOCHILL V5

Hillphoenix
A DOVER COMPANY

O5MQA-NRG

4', 6', 8' & 12' Multi-Deck Merchandiser with Synerg-E™
Deli / Meat / Seafood



ELECTRICAL DATA			
Case Length	Fans Per Case	High Efficiency Fans	
		120 Volt	
		Amps	Watts
4'	2	0.46	36.0
6'	4	0.94	70.0
8'	4	0.94	70.0
12'	6	1.40	106.0

LIGHTING DATA					
Case Length	Lights per row	Clearvoyant v4 LED Lighting (Per Light Row)			
		Standard Power (Cornice or Shelf)		High Power (Cornice Only)	
		120 Volts		120 Volts	
		Amps	Watts	Amps	Watts
4'	1	0.05	5.9	0.12	14.9
6'	2	0.08	9.4	0.20	23.8
8'	2	0.10	11.8	0.25	29.9
12'	3	0.15	17.6	0.37	44.8

DEFROST CONTROLS		
Defrosts Per Day	Timed-Off Defrost	
	Fail-Safe (Min)	Termination Temp (F)
6	40	47

NOTES:

- "----" indicates that the feature is not an option for this case model and/or the data is not available yet.
- Listed discharge air velocity represents the average velocity immediately after defrost.
- Temperature and defrost settings listed above are recommended start-up settings. Final operational settings may need to be adjusted for the store conditions in which the case operates.



ALL MEASUREMENTS ARE TAKEN PER ASHRAE-72 SPECIFICATIONS. HILLPHOENIX REFRIGERATED DISPLAY CASES FOR SALE IN THE UNITED STATES MEET OR EXCEED DEPARTMENT OF ENERGY 2017 REQUIREMENTS.

O5MQA-NRG

Rev. Date	Rev. #	Rev. Title
12-13-21	6	OPTION PAGE UPDATE
9-28-20	5	SOLOCHILL V5



A DOVER COMPANY

O5MQA-NRG

4', 6', 8' & 12' Multi-Deck Merchandiser with Synerg-E™
Deli / Meat / Seafood



SOLOCHILL DATA			@95° Condensing Temperature		
Volts	Phase	Frequency	Wire		
208	1	60	3 Wire + Ground		
Application	Case Length	Evaporator Temp (°F)	Discharge Air (°F)	Discharge Air Velocity (FPM)	
Meat/Seafood	4'	24	30	240	
Meat/Seafood	6'	24	30	240	
Meat/Seafood	8'	24	30	240	
Meat/Seafood	12'	24	30	240	

Application	Case Length	R448A					
		Condensing Unit Model	MCA	MOP	Required Capacity	THR (BTUH)	Flow Rate
Meat/Seafood	4'	DA130	11.4	15	7000	8810	2.5
Meat/Seafood	6'	DA220	18.6	20	10500	12923	3.7
Meat/Seafood	8'	DA220	18.8	20	14000	17198	4.9
Meat/Seafood	12'	DA220	37.6	40	21000	26098	7.5



ALL MEASUREMENTS ARE TAKEN PER ASHRAE-72 SPECIFICATIONS. HILLPHOENIX REFRIGERATED DISPLAY CASES FOR SALE IN THE UNITED STATES MEET OR EXCEED DEPARTMENT OF ENERGY 2017 REQUIREMENTS.

O5MQA-NRG

Rev. Date	Rev. #	Rev. Title
12-13-21	6	OPTION PAGE UPDATE
9-28-20	5	SOLOCHILL V5



A DOVER COMPANY

O5MQA-NRG

4', 6', 8' & 12' Multi-Deck Merchandiser with Synerg-E™
Deli / Meat / Seafood

SOLOCHILL
MICRO-DISTRIBUTED

FRONT OPTIONS	CORNICHE OPTIONS					
	CURVED CORNICHE 39 3/4"	CURVED CORNICHE WITH NIGHT COVER 43"	FACETED CORNICHE 39 5/8"	FACETED CORNICHE WITH NIGHT COVER 42 7/8"	FLAT CORNICHE 38 7/8"	FLAT CORNICHE WITH STANDARD NIGHT COVER 41 1/2"
FRONT OPTIONS	FLAT FRONT 2	STANDARD FRONT 19 7/8" [50.5 cm]	2 1/2" EXTENDED FRONT * 22 3/8" [56.9 cm]	5" EXTENDED FRONT * 25"	7 1/2" EXTENDED FRONT * 27 3/8" [69.6 cm]	
	FLAT FRONT	STANDARD FRONT 18 3/4" [47.5 cm]	2 1/2" EXTENDED FRONT * 21 1/4" [53.9 cm]	5" EXTENDED FRONT * 23 3/4" [60.2 cm]	7 1/2" EXTENDED FRONT * 26 1/4" [66.6 cm]	
	CLASSIC 2 METAL	STANDARD FRONT 18 3/4" [47.5 cm]	2 1/2" EXTENDED FRONT * 21 1/4" [53.9 cm]	5" EXTENDED FRONT * 23 3/4" [60.2 cm]	7 1/2" EXTENDED FRONT * 26 1/4" [66.6 cm]	
	CLASSIC 2 POLYMER	STANDARD FRONT 18 3/4" [47.5 cm]	2 1/2" EXTENDED FRONT * 21 1/4" [53.9 cm]	5" EXTENDED FRONT * 23 3/4" [60.2 cm]	7 1/2" EXTENDED FRONT * 26 1/4" [66.6 cm]	
	ORIGIN 2	STANDARD FRONT 18 3/4" [47.5 cm]	2 1/2" EXTENDED FRONT * 21 1/4" [53.9 cm]	5" EXTENDED FRONT * 23 3/4" [60.2 cm]	7 1/2" EXTENDED FRONT * 26 1/4" [66.6 cm]	
	THERMOPANE	6" THERMOPANE FRONT 29 7/8" [75.8 cm]	4" THERMOPANE FRONT 27 7/8" [70.8 cm]	4" THERMOPANE FRONT * 27 7/8" [70.8 cm]	6" THERMOPANE FRONT 29 7/8" [75.8 cm]	

NOTES:

* : W & W/O NOSE LIGHT.

- Extended front sills are required on meat applications.



O5MQA-NRG

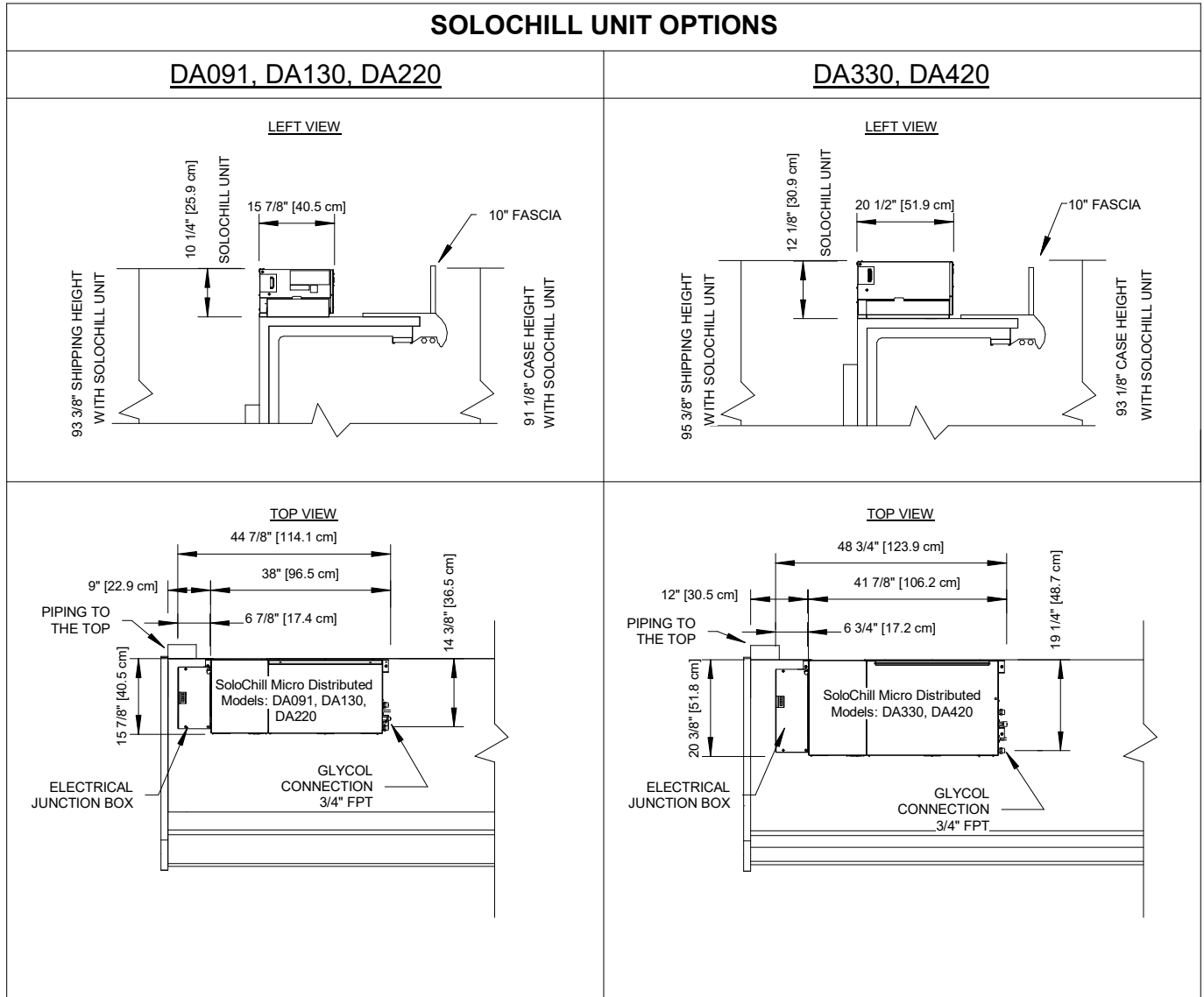
ALL MEASUREMENTS ARE TAKEN PER ASHRAE-72 SPECIFICATIONS. HILLPHOENIX REFRIGERATED DISPLAY CASES FOR SALE IN THE UNITED STATES MEET OR EXCEED DEPARTMENT OF ENERGY 2017 REQUIREMENTS.

Rev. Date	Rev. #	Rev. Title
12-13-21	6	OPTION PAGE UPDATE
9-28-20	5	SOLOCHILL V5

Hillphoenix
A DOVER COMPANY

O5MQA-NRG

4', 6', 8' & 12' Multi-Deck Merchandiser with Synerg-E™
Deli / Meat / Seafood



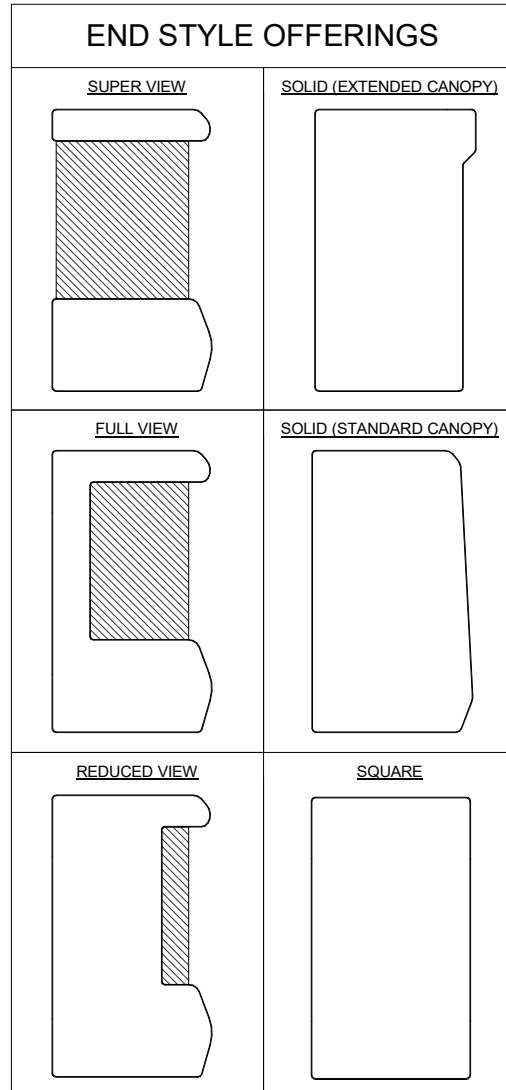
ALL MEASUREMENTS ARE TAKEN PER ASHRAE-72 SPECIFICATIONS. HILLPHOENIX REFRIGERATED DISPLAY CASES FOR SALE IN THE UNITED STATES MEET OR EXCEED DEPARTMENT OF ENERGY 2017 REQUIREMENTS.

O5MQA-NRG

Rev. Date	Rev. #	Rev. Title
12-13-21	6	OPTION PAGE UPDATE
9-28-20	5	SOLOCHILL V5



A DOVER COMPANY



NOTES:

- Ends shown are for general use only. Shape, size, and appearance are subject to change based on engineering configuration.
- Hatched regions represent glass inserts.
- Ends add approximately 1" to case height, 1/2" to the back & 1" to the front.
- Ends are available with either polymer end trim or metal end trim.



ALL MEASUREMENTS ARE TAKEN PER ASHRAE-72 SPECIFICATIONS. HILLPHOENIX REFRIGERATED DISPLAY CASES FOR SALE IN THE UNITED STATES MEET OR EXCEED DEPARTMENT OF ENERGY 2017 REQUIREMENTS.

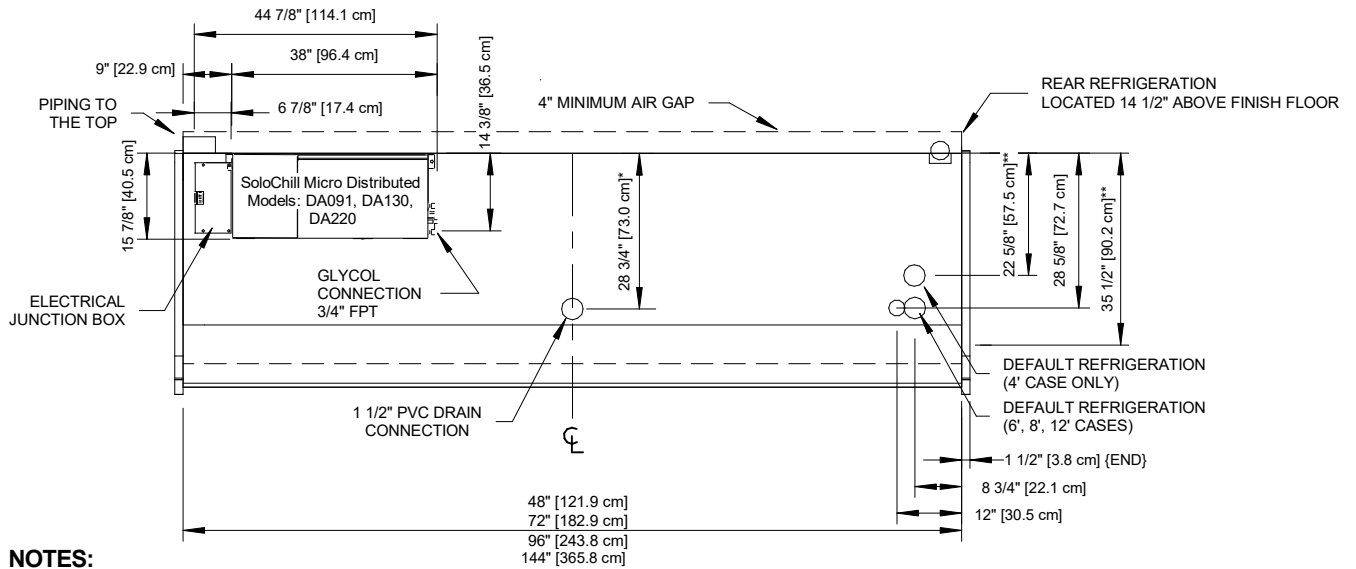
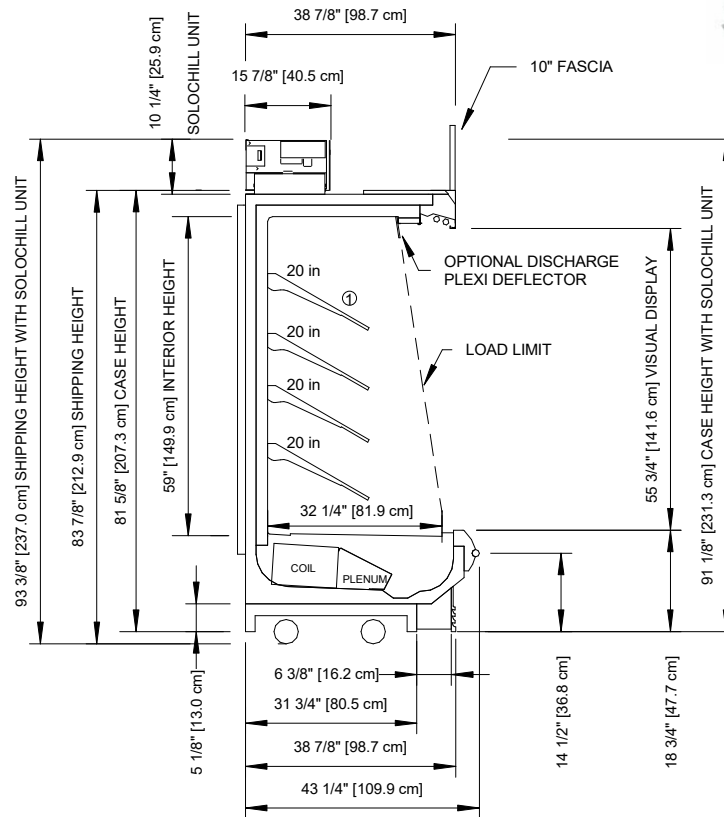
O5MQA-NRG

Rev. Date	Rev. #	Rev. Title
12-13-21	6	OPTION PAGE UPDATE
9-28-20	5	SOLOCHILL V5

O5MQA-NRG

4', 6', 8' & 12' Multi-Deck Merchandiser with Synerg-E™
Deli / Meat / Seafood

SOLOCHILL
MICRO-DISTRIBUTED



NOTES:

- * : STUB-UP AREA
- ** : RECOMMENDED STUP-UP CENTERLINE FOR ELECTRICAL AND HUB DRAINS
- ① : AVAILABLE SHELF SIZES: 18" & 20" ARTICULATING OR 20", 22", 24", 26" & 27" STANDARD

• Ends add approximately 1" to case height, 1" to the front and 1/2" to case height.



O5MQA-NRG

ALL MEASUREMENTS ARE TAKEN PER ASHRAE-72 SPECIFICATIONS. HILLPHOENIX REFRIGERATED DISPLAY CASES FOR SALE IN THE UNITED STATES MEET OR EXCEED DEPARTMENT OF ENERGY 2017 REQUIREMENTS.

Rev. Date	Rev. #	Rev. Title
12-13-21	6	OPTION PAGE UPDATE
9-28-20	5	SOLOCHILL V5

Hillphoenix
A DOVER COMPANY