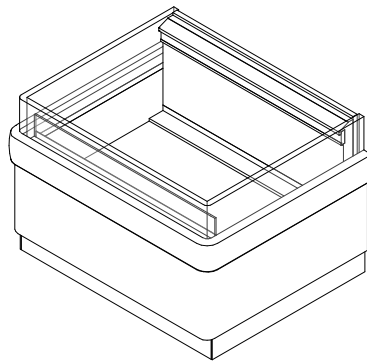


GENERAL NOTES

- "-" indicates that the feature is not an option on this case model



SHIPPING WEIGHT	
Case	Weight
OEWZ	---



ALL MEASUREMENTS ARE TAKEN PER ASHRAE-72 SPECIFICATIONS. HILLPHOENIX REFRIGERATED DISPLAY CASES FOR SALE IN THE UNITED STATES MEET OR EXCEED DEPARTMENT OF ENERGY 2017 REQUIREMENTS.

OEWZ

Rev. Date	Rev. #	Rev. Title
10-21-22	4	DATA UPDATE
4-22-22	3	NOTES UPDATE

ELECTRICAL DATA									
Fans Per Case	High Efficiency Fans		Anti Condensate Heaters		Defrost Heaters				
	120 Volt		120 Volts		208 Volts		240 Volts		
	Amps	Watts	Amps	Watts	Amps	Watts	Amps	Watts	
1	0.15	11.0	0.99	119	3.84	800	4.44	1065	

GUIDELINES AND CONTROL SETTINGS {DIRECT EXPANSION HFC/CO2}					
BTUH/ft		Superheat Set Point @ Bulb (°F)	Evaporator (°F)	Discharge Air (°F)	Discharge Air Velocity (FPM)
Conventional	Parallel				
359	325	3 - 5	-22	-10	255

DEFROST CONTROLS {DIRECT EXPANSION HFC/CO2}					
Defrosts Per Day	Run-Off Time (Min)	Electric Defrost		Hot Gas Defrost	
		Fail-Safe (Min)	Termination Temp (°F)	Fail-Safe (Min)	Termination Temp (°F)
3	5	50	45	20	60

NOTES:

- Temperature and defrost settings listed above are recommended start-up settings. Final operational settings may need to be adjusted for the store conditions in which the case operates.
- The recommended evaporator temperatures may need to be adjusted based on system setup, store conditions, etc. The minimum recommended evaporator temperature is 4°F below the listed evaporator temperature.
- Discharge air temperature values represent readings taken within the upper air channel immediately behind/upstream of the honeycomb.



ALL MEASUREMENTS ARE TAKEN PER ASHRAE-72 SPECIFICATIONS. HILLPHOENIX REFRIGERATED DISPLAY CASES FOR SALE IN THE UNITED STATES MEET OR EXCEED DEPARTMENT OF ENERGY 2017 REQUIREMENTS.

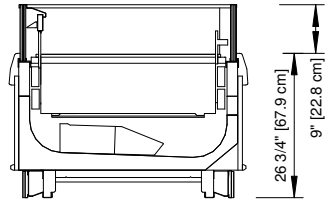
OEZW

Rev. Date	Rev. #	Rev. Title
10-21-22	4	DATA UPDATE
4-22-22	3	NOTES UPDATE

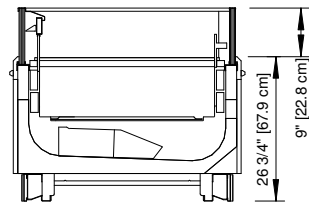


GLASS FRONT OPTIONS

10" GLASS STREAMLINE FRONT



10" GLASS FLAT FRONT

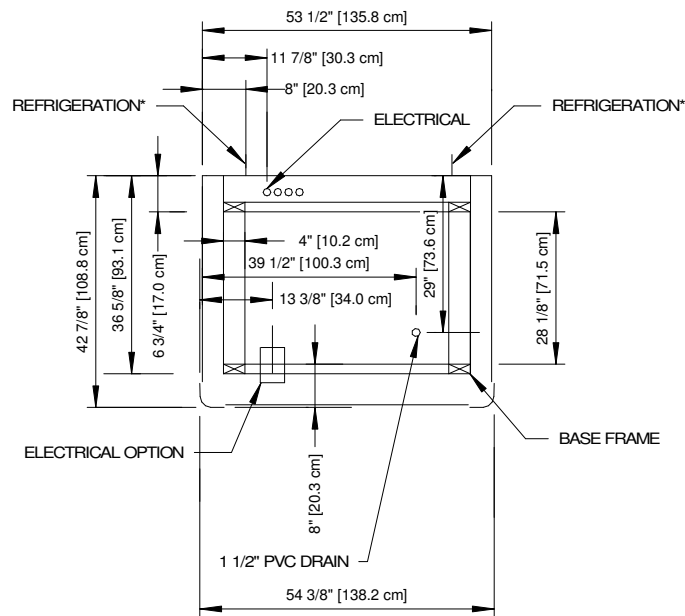
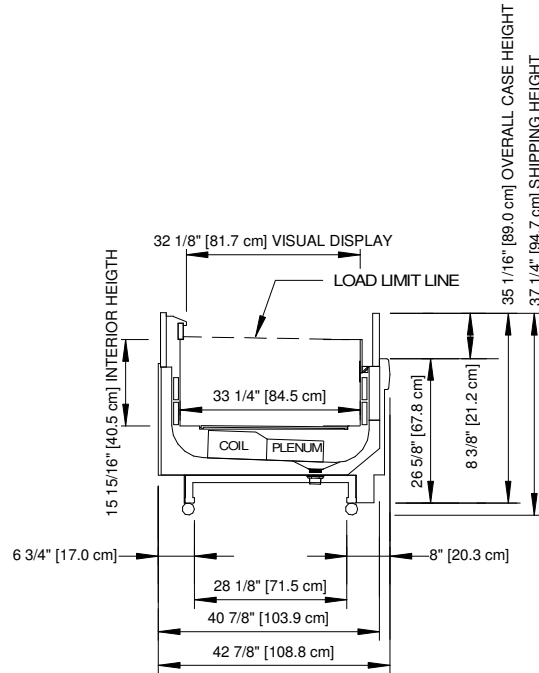


ALL MEASUREMENTS ARE TAKEN PER ASHRAE-72 SPECIFICATIONS. HILLPHOENIX REFRIGERATED DISPLAY CASES FOR SALE IN THE UNITED STATES MEET OR EXCEED DEPARTMENT OF ENERGY 2017 REQUIREMENTS.

OEZW

Rev. Date	Rev. #	Rev. Title
10-21-22	4	DATA UPDATE
4-22-22	3	NOTES UPDATE

Hillphoenix
A DOVER COMPANY



NOTES

* : Location dependant on which end of the OWZGG the case is attached



ALL MEASUREMENTS ARE TAKEN PER ASHRAE-72 SPECIFICATIONS. HILLPHOENIX REFRIGERATED DISPLAY CASES FOR SALE IN THE UNITED STATES MEET OR EXCEED DEPARTMENT OF ENERGY 2017 REQUIREMENTS.

OEWZ

Rev. Date	Rev. #	Rev. Title
10-21-22	4	DATA UPDATE
4-22-22	3	NOTES UPDATE

Hillphoenix

A DOVER COMPANY