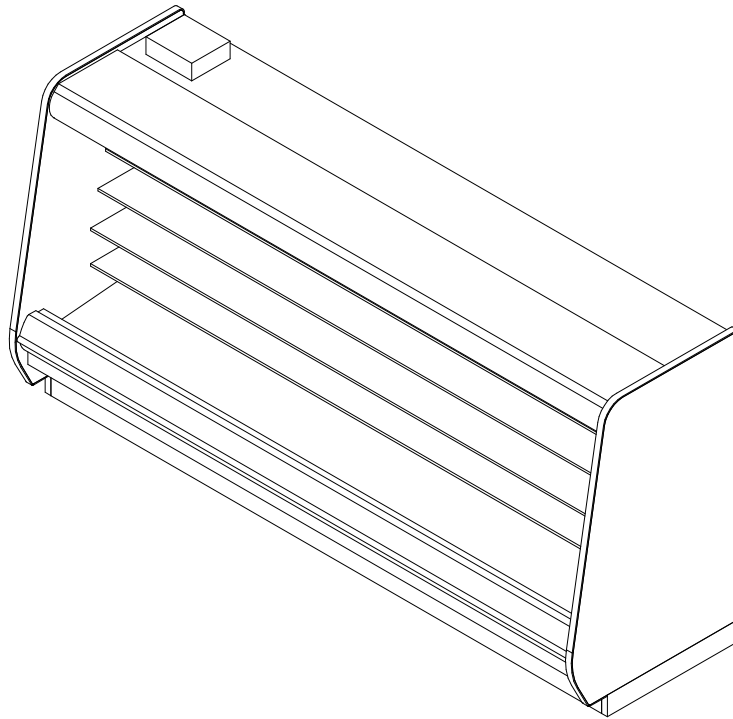


**GENERAL NOTES:**

- "---" indicates that the feature is not an option on this case model and/or the data is not available at this time.
- LED lights only.



SHIPPING WEIGHT	
Case	Weight
OHM-NRG	---



ALL MEASUREMENTS ARE TAKEN PER ASHRAE-72 SPECIFICATIONS. HILLPHOENIX REFRIGERATED DISPLAY CASES FOR SALE IN THE UNITED STATES MEET OR EXCEED DEPARTMENT OF ENERGY 2017 REQUIREMENTS.

**OHM-NRG**

Rev. Date	Rev. #	Rev. Title
07-15-21	8	ENDVIEW UPDATE
09-25-19	7	OPTIONS UPDATE

ELECTRICAL DATA			
Case Length	Fans Per Case	High Efficiency Fans	
		120 Volt	
		Amps	Watts
4'	2	0.50	36.0
6'	3	0.75	54.0
8'	3	0.75	54.0
12'	4	1.00	72.0

LIGHTING DATA					
Case Length	Lights per row	Clearvoyant v4 LED Lighting (Per Light Row)			
		Standard Power (Cornice or Shelf)		High Power (Cornice Only)	
		120 Volts		120 Volts	
		Amps	Watts	Amps	Watts
4'	1	0.05	5.9	0.12	14.9
6'	2	0.08	9.4	0.20	23.8
8'	2	0.10	11.8	0.25	29.9
12'	3	0.15	17.6	0.37	44.8

GUIDELINES AND CONTROL SETTINGS						
Front Sill height	BTUH/ft		Superheat Set Point @ Bulb (°F)	Evaporator (°F)	Discharge Air (°F)	Discharge Air Velocity (FPM)
	Conventional	Parallel				
All Others	1250	1094	6 - 8	27	30	200
Standard	1371	1200	6 - 8	27	30	200

DEFROST CONTROLS		
Defrosts Per Day	Timed-Off Defrost	
	Fail-Safe (Min)	Termination Temp (F)
6	40	47

**NOTES:**

- "---" indicates that the feature is not an option on this case model and/or the data is not available at this time.
- Listed BTUH/ft data represent unlighted shelves. For LED lighting, add 9 BTUH/ft per row of lighted shelving.
- Listed evaporator temperature represents unlighted shelves. For lighted shelves and/or aftermarket merchandising accessories,
- Conventional Discharge Air Control – Recommended Settings: Cut-In Temp = Discharge Air + 2°F; Cut-Out Temp = Discharge Air - 2°F.
- Listed discharge air velocity represents the average velocity immediately after defrost.
- Temperature and defrost settings listed above are recommended start-up settings. Final operational settings may need to be adjusted for the store conditions in which the case operates.
- The recommended evaporator temperatures may need to be adjusted based on system setup, store conditions, etc. The minimum recommended evaporator temperature is 4°F below the listed evaporator temperature.



ALL MEASUREMENTS ARE TAKEN PER ASHRAE-72 SPECIFICATIONS. HILLPHOENIX REFRIGERATED DISPLAY CASES FOR SALE IN THE UNITED STATES MEET OR EXCEED DEPARTMENT OF ENERGY 2017 REQUIREMENTS.

**OHM-NRG**

Rev. Date	Rev. #	Rev. Title
07-15-21	8	ENDVIEW UPDATE
09-25-19	7	OPTIONS UPDATE



# OHM-NRG

4', 6', 8' & 12' Multi-Deck Merchandiser  
Deli / Meat / Seafood

SECOND NATURE DATA								
Case Model	No. of Coils	Application	Front Sill height	BTUH/FT		GPM/ft (DR)	Supply Fluid Temp (°F)	Discharge Air Temp (°F)
				Conventional	Parallel			
OHM-NRG	1	Meat	All Others	1250	1094	0.32	20	30
OHM-NRG	1	Meat	Standard	1371	1200	0.35	20	30
OHM-NRG	1	Meat	All Others	1250	1094	0.75	25	30
OHM-NRG	1	Meat	Standard	1371	1200	0.82	25	30

SECOND NATURE DATA									
Case Model	No. of Coils	Application	Front Sill height	Supply Fluid Temp (°F)	No. of Defrost	Timed-Off Defrost		Warm Fluid Defrost	
						Fail-Safe (Min)	Termination Temp (°F)	Fail-Safe (Min)	Termination Temp (°F)
OHM-NRG	1	Meat	All Others	20	6	60	47	26	49
OHM-NRG	1	Meat	Standard	20	6	60	47	26	49
OHM-NRG	1	Meat	All Others	25	6	45	47	26	49
OHM-NRG	1	Meat	Standard	25	6	45	47	26	49

**NOTES:**

- All medium temperature data listed is for 35% by wt. PROPYLENE GLYCOL.
- Inhibited Propylene Glycol solution with water, such as Dowfrost or equivalent. (Dowfrost is a trademark of the Dow Chemical Company).
- Flowrates are determined by ASHRAE test conditions and may need to be adjusted based on store conditions.
- \*\* Flowrates are per case



ALL MEASUREMENTS ARE TAKEN PER ASHRAE-72 SPECIFICATIONS. HILLPHOENIX REFRIGERATED DISPLAY CASES FOR SALE IN THE UNITED STATES MEET OR EXCEED DEPARTMENT OF ENERGY 2017 REQUIREMENTS.

**OHM-NRG**

Rev. Date	Rev. #	Rev. Title
07-15-21	8	ENDVIEW UPDATE
09-25-19	7	OPTIONS UPDATE



FRONT OPTIONS	CORNICHE OPTIONS						
	CURVED CORNICHE 34 7/8" 	CURVED CORNICHE WITH NIGHT COVER 40 1/4" 	FACETED CORNICHE 34 3/4" 	FACETED CORNICHE WITH NIGHT COVER 38" 	FLAT CORNICHE 34" 	FLAT CORNICHE WITH STANDARD NIGHT COVER 36 5/8" 	
FRONT OPTIONS	FLAT FRONT 2	STANDARD FRONT  28 1/8" [71.5 cm]	EXTENDED STANDARD FRONT  33 1/8" [84.0 cm]	6" THERMOPANE FRONT  33 3/8" [84.9 cm]	STANDARD FRONT  27" [68.7 cm]	EXTENDED STANDARD FRONT  30" [76.2 cm]	6" THERMOPANE FRONT  33 1/8" [84.2 cm]
	FLAT FRONT	STANDARD FRONT  27" [68.7 cm]	EXTENDED STANDARD FRONT  30" [76.2 cm]	6" THERMOPANE FRONT  33 1/8" [84.2 cm]	STANDARD FRONT  21 1/8" [53.8 cm]	EXTENDED STANDARD FRONT  24 1/8" [61.3 cm]	6" THERMOPANE FRONT  27 1/4" [69.3 cm]
	CLASSIC 2 METAL	STANDARD FRONT  27" [68.7 cm]	EXTENDED STANDARD FRONT  30" [76.2 cm]	6" THERMOPANE FRONT  33 1/8" [84.2 cm]	STANDARD FRONT  21 1/8" [53.7 cm]	EXTENDED STANDARD FRONT  24 1/8" [61.3 cm]	6" THERMOPANE FRONT  27 1/4" [69.3 cm]
	CLASSIC 2 POLYMER	STANDARD FRONT  27" [68.7 cm]	EXTENDED STANDARD FRONT  30" [76.2 cm]	6" THERMOPANE FRONT  33 1/8" [84.2 cm]	STANDARD FRONT  21 1/8" [53.7 cm]	EXTENDED STANDARD FRONT  24 1/8" [61.3 cm]	6" THERMOPANE FRONT  27 1/4" [69.3 cm]
	ORIGIN 2	STANDARD FRONT  27" [68.7 cm]	EXTENDED STANDARD FRONT  30" [76.2 cm]	6" THERMOPANE FRONT  33 1/8" [84.2 cm]	STANDARD FRONT  21 1/8" [53.8 cm]	EXTENDED STANDARD FRONT  24 1/8" [61.3 cm]	6" THERMOPANE FRONT  27 1/4" [69.3 cm]

**NOTES:**

- Front sill height and overall case height varies with base frame height.
- Extended front sills are required on meat applications to maintain proper temperature. An extended front has a minimum height of 24" on a 5" baseframe or 30" on an 11" baseframe.

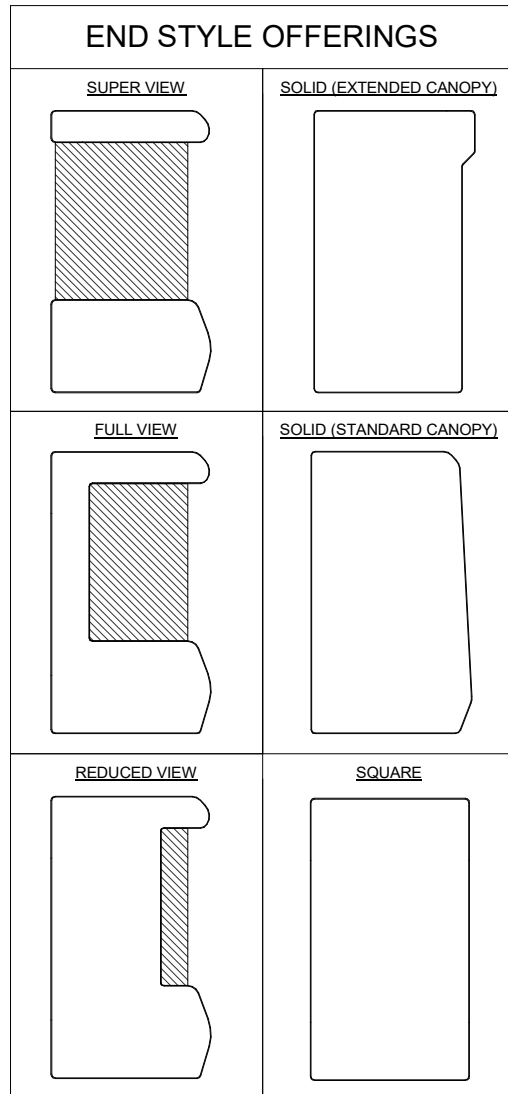


OHM-NRG

ALL MEASUREMENTS ARE TAKEN PER ASHRAE-72 SPECIFICATIONS. HILLPHOENIX REFRIGERATED DISPLAY CASES FOR SALE IN THE UNITED STATES MEET OR EXCEED DEPARTMENT OF ENERGY 2017 REQUIREMENTS.

Rev. Date	Rev. #	Rev. Title
07-15-21	8	ENDVIEW UPDATE
09-25-19	7	OPTIONS UPDATE





**NOTES:**

- Ends shown are for general use only. Shape, size, and appearance are subject to change based on engineering configuration.
- Hatched regions represent glass inserts.
- Ends add approximately 1" to case height, 1/2" to the back & 1" to the front.
- Ends are available with either polymer end trim or metal end trim.

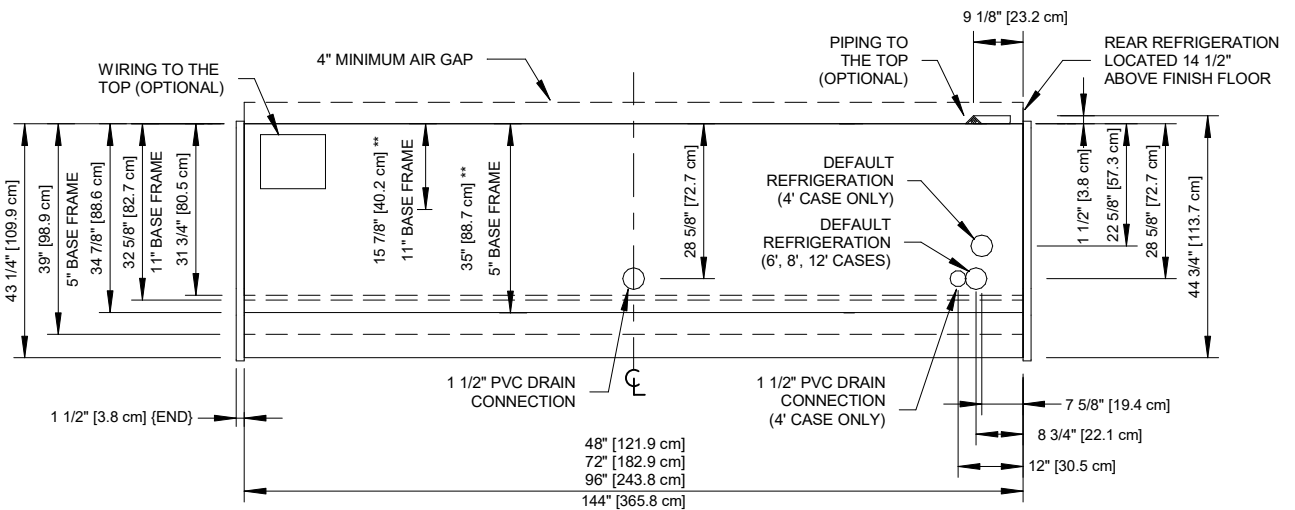
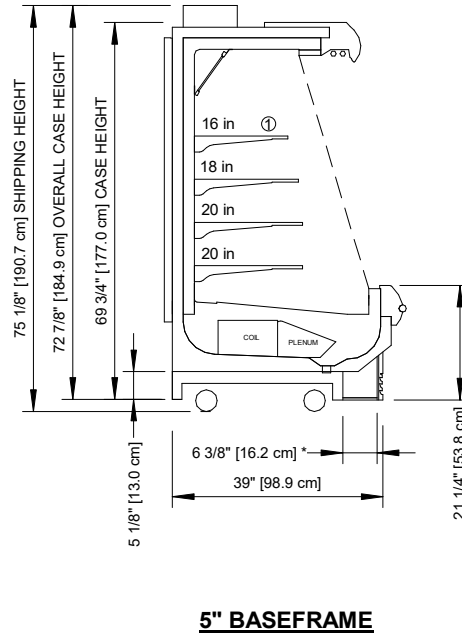
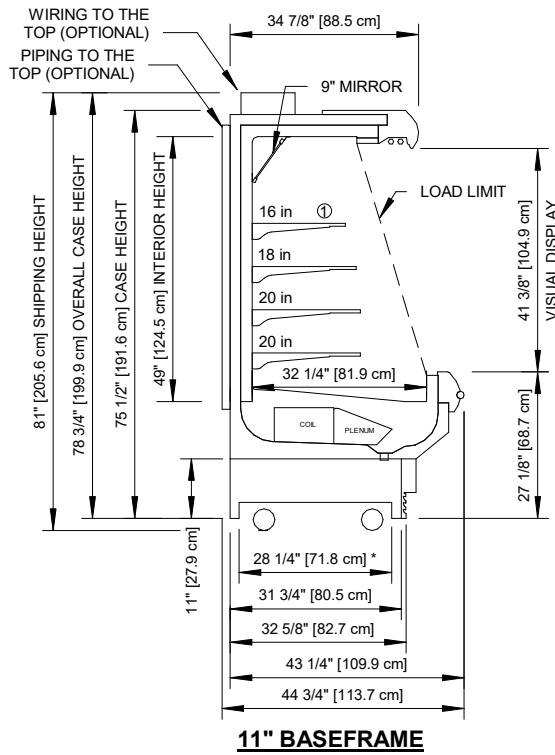


ALL MEASUREMENTS ARE TAKEN PER ASHRAE-72 SPECIFICATIONS. HILLPHOENIX REFRIGERATED DISPLAY CASES FOR SALE IN THE UNITED STATES MEET OR EXCEED DEPARTMENT OF ENERGY 2017 REQUIREMENTS.

**OHM-NRG**

Rev. Date	Rev. #	Rev. Title
07-15-21	8	ENDVIEW UPDATE
09-25-19	7	OPTIONS UPDATE





**NOTES:**

\* :STUB-UP AREA

\*\* :RECOMMENDED STUB-UP CENTERLINE FOR ELECTRICAL AND HUB DRAINS

① :AVAILABLE SHELF SIZES: 16", 18", & 20" Articulating or 14", 16", 18", 20", 22" & 24" Standard ; (5) ROWS OF SHELVES MAX

- Ends add approximately 1" to case height, 1/2" to the back & 1" to the front.
- Back panels add approximately 1" to the rear of the case.



OHM-NRG

ALL MEASUREMENTS ARE TAKEN PER ASHRAE-72 SPECIFICATIONS. HILLPHOENIX REFRIGERATED DISPLAY CASES FOR SALE IN THE UNITED STATES MEET OR EXCEED DEPARTMENT OF ENERGY 2017 REQUIREMENTS.

Rev. Date	Rev. #	Rev. Title
07-15-21	8	ENDVIEW UPDATE
09-25-19	7	OPTIONS UPDATE

