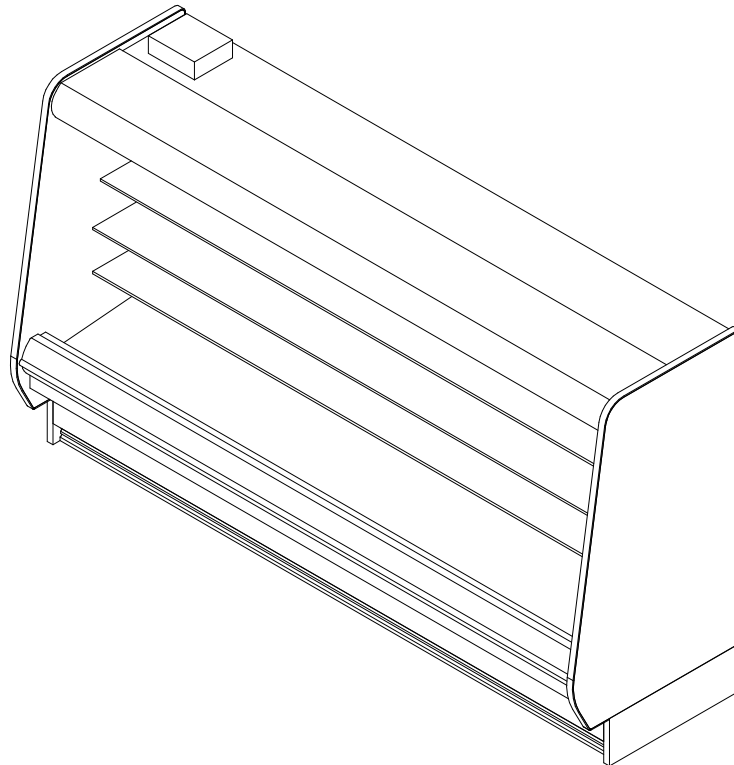


OHHM-NRG

4', 6', 8' & 12' High Multi-Deck Merchandiser with Synerg-E™
Deli / Meat / Seafood

GENERAL NOTES:

- "---" indicates that the feature is not an option on this case model and/or the data is not available at this time.
- LED lights only.



SHIPPING WEIGHT	
Case	Weight
OHHM-NRG	---



ALL MEASUREMENTS ARE TAKEN PER ASHRAE-72 SPECIFICATIONS. HILLPHOENIX REFRIGERATED DISPLAY CASES FOR SALE IN THE UNITED STATES MEET OR EXCEED DEPARTMENT OF ENERGY 2017 REQUIREMENTS.

OHHM-NRG

Rev. Date	Rev. #	Rev. Title
07-15-21	8	ENDVIEW UPDATE
09-25-19	7	OPTIONS UPDATE



OHHM-NRG

4', 6', 8' & 12' High Multi-Deck Merchandiser with Synerg-E™
Deli / Meat / Seafood

ELECTRICAL DATA			
Case Length	Fans Per Case	High Efficiency Fans	
		120 Volt	
		Amps	Watts
4'	2	0.50	36.0
6'	3	0.75	54.0
8'	3	0.75	54.0
12'	4	1.00	72.0

LIGHTING DATA					
Case Length	Lights per row	Clearvoyant v4 LED Lighting (Per Light Row)			
		Standard Power (Cornice or Shelf)		High Power (Cornice Only)	
		120 Volts		120 Volts	
		Amps	Watts	Amps	Watts
4'	1	0.05	5.9	0.12	14.9
6'	2	0.08	9.4	0.20	23.8
8'	2	0.10	11.8	0.25	29.9
12'	3	0.15	17.6	0.37	44.8

GUIDELINES AND CONTROL SETTINGS						
Front Sill height	BTUH/ft		Superheat Set Point @ Bulb (°F)	Evaporator (°F)	Discharge Air (°F)	Discharge Air Velocity (FPM)
	Conventional	Parallel				
All Others	1410	1234	6 - 8	27	30	200
Standard	1531	1340	6 - 8	27	30	200

DEFROST CONTROLS		
Defrosts Per Day	Timed-Off Defrost	
	Fail-Safe (Min)	Termination Temp (F)
6	40	47

NOTES:

- "-" indicates that the feature is not an option on this case model and/or the data is not available at this time.
- Listed BTUH/ft data represent unlighted shelves. For LED lighting, add 9 BTUH/ft per row of lighted shelving.
- BTUH load increases by 132 BTUH/ft when aftermarket merchandising accessories are utilized.
- Listed evaporator temperature represents unlighted shelves. For lighted shelves and/or aftermarket merchandising accessories, reduce the listed evaporator temperature by 2°F.
- Conventional Discharge Air Control – Recommended Settings: Cut-In Temp = Discharge Air + 2°F; Cut-Out Temp = Discharge Air - 2°F.
- Listed discharge air velocity represents the average velocity immediately after defrost.
- Temperature and defrost settings listed above are recommended start-up settings. Final operational settings may need to be adjusted for the store conditions in which the case operates.
- The recommended evaporator temperatures may need to be adjusted based on system setup, store conditions, etc. The minimum recommended evaporator temperature is 4°F below the listed evaporator temperature.



ALL MEASUREMENTS ARE TAKEN PER ASHRAE-72 SPECIFICATIONS. HILLPHOENIX REFRIGERATED DISPLAY CASES FOR SALE IN THE UNITED STATES MEET OR EXCEED DEPARTMENT OF ENERGY 2017 REQUIREMENTS.

OHHM-NRG

Rev. Date	Rev. #	Rev. Title
07-15-21	8	ENDVIEW UPDATE
09-25-19	7	OPTIONS UPDATE

Hillphoenix
A DOVER COMPANY

OHHM-NRG

4', 6', 8' & 12' High Multi-Deck Merchandiser with Synerg-E™
Deli / Meat / Seafood

SECOND NATURE DATA								
Case Model	No. of Coils	Application	Front Sill height	BTUH/FT		GPM/ft (DR)	Supply Fluid Temp (°F)	Discharge Air Temp (°F)
				Conventional	Parallel			
OHHM-NRG	1	Meat	All Others	1410	1234	0.36	20	30
OHHM-NRG	1	Deli	Standard	1531	1340	0.39	20	30
OHHM-NRG	1	Meat	All Others	1410	1234	0.85	25	30
OHHM-NRG	1	Deli	Standard	1531	1340	0.92	25	30

SECOND NATURE DATA									
Case Model	No. of Coils	Application	Front Sill height	Supply Fluid Temp (°F)	No. of Defrost	Timed-Off Defrost		Warm Fluid Defrost	
						Fail-Safe (Min)	Termination Temp (°F)	Fail-Safe (Min)	Termination Temp (°F)
OHHM-NRG	1	Meat	All Others	20	4	60	47	26	49
OHHM-NRG	1	Deli	Standard	20	6	60	47	26	49
OHHM-NRG	1	Meat	All Others	25	6	45	47	26	49
OHHM-NRG	1	Deli	Standard	25	6	45	47	26	49

NOTES:

- All medium temperature data listed is for 35% by wt. PROPYLENE GLYCOL.
- Inhibited Propylene Glycol solution with water, such as Dowfrost or equivalent. (Dowfrost is a trademark of the Dow Chemical Company).
- Flowrates are determined by ASHRAE test conditions and may need to be adjusted based on store conditions.
- ** Flowrates are per case



ALL MEASUREMENTS ARE TAKEN PER ASHRAE-72 SPECIFICATIONS. HILLPHOENIX REFRIGERATED DISPLAY CASES FOR SALE IN THE UNITED STATES MEET OR EXCEED DEPARTMENT OF ENERGY 2017 REQUIREMENTS.

OHHM-NRG

Rev. Date	Rev. #	Rev. Title
07-15-21	8	ENDVIEW UPDATE
09-25-19	7	OPTIONS UPDATE



A DOWER COMPANY

OHHM-NRG

4', 6', 8' & 12' High Multi-Deck Merchandiser with Synerg-E™
Deli / Meat / Seafood

FRONT OPTIONS		CORNICHE OPTIONS					
		CURVED CORNICHE	CURVED CORNICHE WITH NIGHT COVER	FACETED CORNICHE	FACETED CORNICHE WITH NIGHT COVER	FLAT CORNICHE	FLAT CORNICHE WITH STANDARD NIGHT COVER
FRONT OPTIONS	FLAT FRONT 2	STANDARD FRONT 	STANDARD FRONT 	EXTENDED STANDARD FRONT 	EXTENDED STANDARD FRONT 	6\" THERMOPANE FRONT 	6\" THERMOPANE FRONT
	FLAT FRONT	STANDARD FRONT 	STANDARD FRONT 	EXTENDED STANDARD FRONT 	EXTENDED STANDARD FRONT 	6\" THERMOPANE FRONT 	6\" THERMOPANE FRONT
	CLASSIC 2 METAL	STANDARD FRONT 	STANDARD FRONT 	EXTENDED STANDARD FRONT 	EXTENDED STANDARD FRONT 	6\" THERMOPANE FRONT 	6\" THERMOPANE FRONT
	CLASSIC 2 POLYMER	STANDARD FRONT 	STANDARD FRONT 	EXTENDED STANDARD FRONT 	EXTENDED STANDARD FRONT 	6\" THERMOPANE FRONT 	6\" THERMOPANE FRONT
	ORIGIN 2	STANDARD FRONT 	STANDARD FRONT 	EXTENDED STANDARD FRONT 	EXTENDED STANDARD FRONT 	6\" THERMOPANE FRONT 	6\" THERMOPANE FRONT

NOTES:

- Tag molding materials are PVC, aluminum, or painted aluminum
- See Ecoblade tech sheet for additional information.

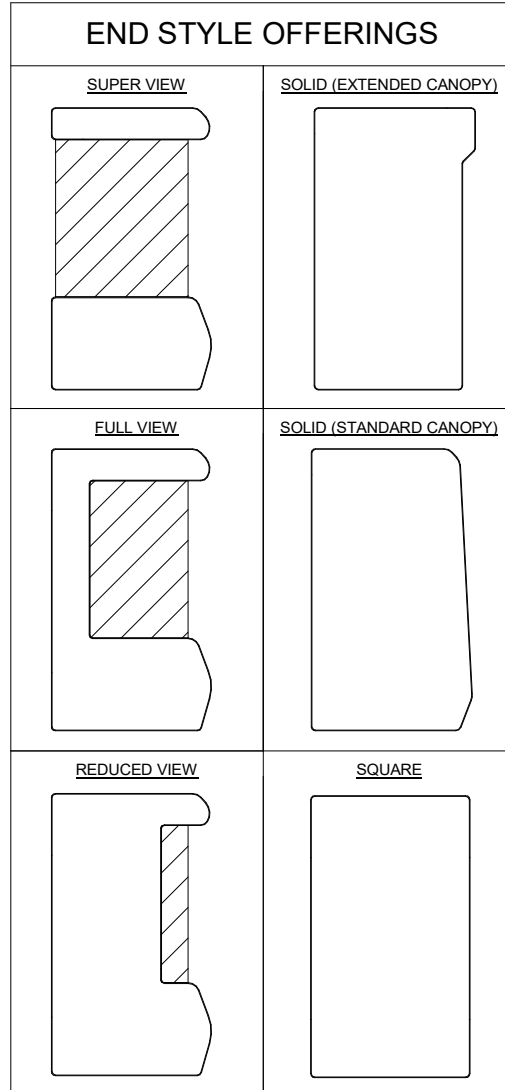


ALL MEASUREMENTS ARE TAKEN PER ASHRAE-72 SPECIFICATIONS. HILLPHOENIX REFRIGERATED DISPLAY CASES FOR SALE IN THE UNITED STATES MEET OR EXCEED DEPARTMENT OF ENERGY 2017 REQUIREMENTS.

OHHM-NRG

Rev. Date	Rev. #	Rev. Title
07-15-21	8	ENDVIEW UPDATE
09-25-19	7	OPTIONS UPDATE





NOTES:

- Ends shown are for general use only. Shape, size, and appearance are subject to change based on engineering configuration.
- Hatched regions represent glass inserts.
- Ends add approximately 1" to case height, 1/2" to the back & 1" to the front.
- Ends are available with either polymer end trim or metal end trim.



ALL MEASUREMENTS ARE TAKEN PER ASHRAE-72 SPECIFICATIONS. HILLPHOENIX REFRIGERATED DISPLAY CASES FOR SALE IN THE UNITED STATES MEET OR EXCEED DEPARTMENT OF ENERGY 2017 REQUIREMENTS.

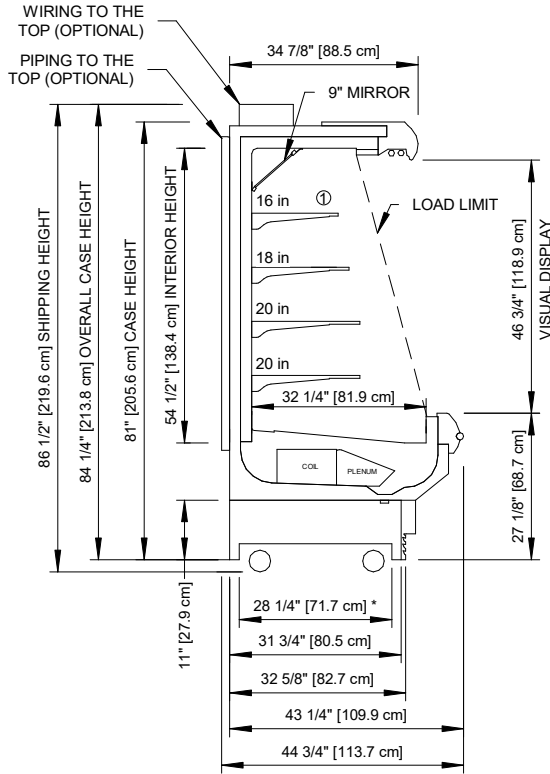
OHHM-NRG

Rev. Date	Rev. #	Rev. Title
07-15-21	8	ENDVIEW UPDATE
09-25-19	7	OPTIONS UPDATE

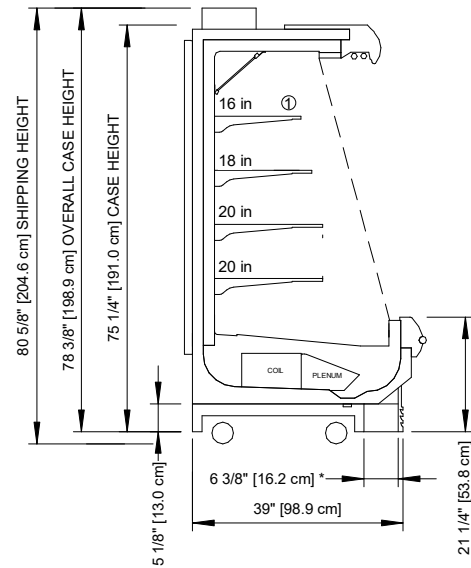


OHHM-NRG

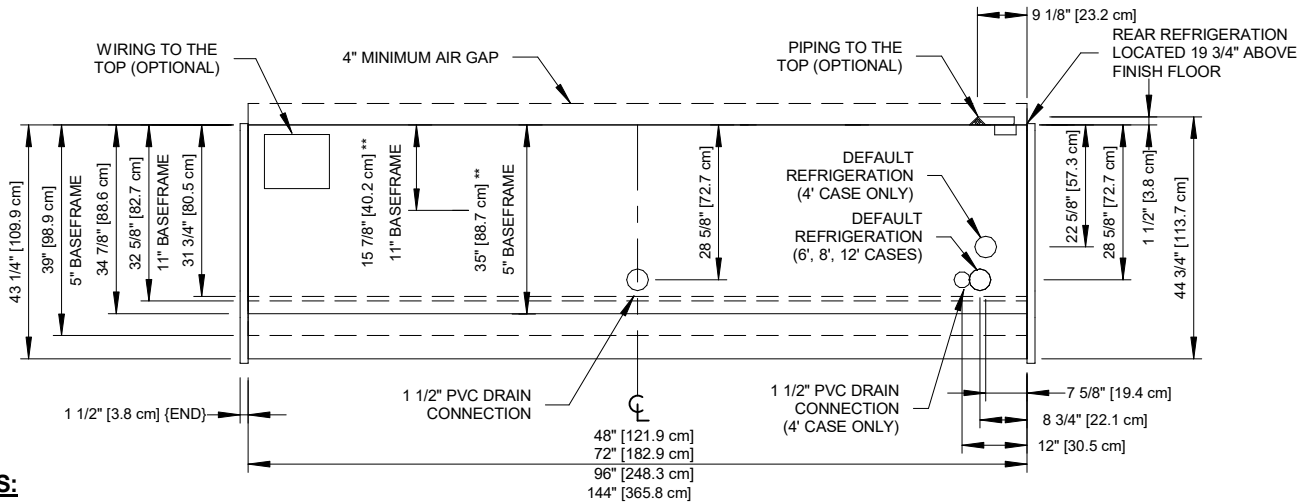
4', 6', 8' & 12' High Multi-Deck Merchandiser with Synerg-E™
Deli / Meat / Seafood



11" BASEFRAME



5" BASEFRAME



NOTES:

* :STUB-UP AREA

** :RECOMMENDED STUP-UP CENTERLINE FOR ELECTRICAL AND DRAINS

① :AVAILABLE SHELF SIZES: 16", 18", & 20" Articulating or 14", 16", 18", 20", 22" & 24" Standard ; (5) ROWS OF SHELVES MAX

- Ends add approximately 1" to case height, 1/2" to the back & 1" to the front.
- Back panels add approximately 1" to the rear of the case.



OHHM-NRG

ALL MEASUREMENTS ARE TAKEN PER ASHRAE-72 SPECIFICATIONS. HILLPHOENIX REFRIGERATED DISPLAY CASES FOR SALE IN THE UNITED STATES MEET OR EXCEED DEPARTMENT OF ENERGY 2017 REQUIREMENTS.

Rev. Date	Rev. #	Rev. Title
07-15-21	8	ENDVIEW UPDATE
09-25-19	7	OPTIONS UPDATE

