

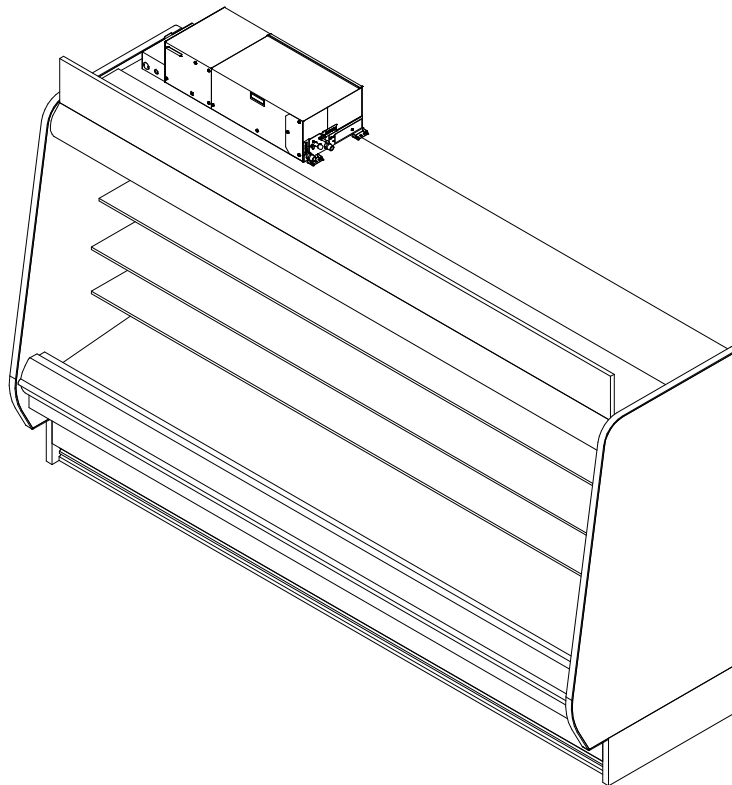
OHHMQA-NRG

4', 6', 8' & 12' High Multi-Deck Merchandiser with Synerg-E™
Deli / Meat / Seafood

SOLOCHILL
MICRO-DISTRIBUTED

GENERAL NOTES:

- "---" indicates that the feature is not an option on this case model and/or the data is not available at this time.
- LED lights only.



| SHIPPING WEIGHT | |
|-----------------|--------|
| Case | Weight |
| OHHMQA-NRG | --- |



ALL MEASUREMENTS ARE TAKEN PER ASHRAE-72 SPECIFICATIONS. HILLPHOENIX REFRIGERATED DISPLAY CASES FOR SALE IN THE UNITED STATES MEET OR EXCEED DEPARTMENT OF ENERGY 2017 REQUIREMENTS.

OHHMQA-NRG

| Rev. Date | Rev. # | Rev. Title |
|-----------|--------|---------------|
| 10-20-20 | 4 | SOLOCHILL V5 |
| 2-11-20 | 3 | FASCIA UPDATE |

Hillphoenix
A DOVER COMPANY

OHHMQA-NRG

4', 6', 8' & 12' High Multi-Deck Merchandiser with Synerg-E™
Deli / Meat / Seafood



| ELECTRICAL DATA | | | |
|-----------------|---------------|----------------------|-------|
| Case Length | Fans Per Case | High Efficiency Fans | |
| | | 120 Volt | |
| | | Amps | Watts |
| 4' | 2 | 0.50 | 36.0 |
| 6' | 3 | 0.75 | 54.0 |
| 8' | 3 | 0.75 | 54.0 |
| 12' | 4 | 1.00 | 72.0 |

| LIGHTING DATA | | | | | |
|---------------|----------------|---------------------------------------------|-------|---------------------------|-------|
| Case Length | Lights per row | Clearvoyant v4 LED Lighting (Per Light Row) | | | |
| | | Standard Power (Cornice or Shelf) | | High Power (Cornice Only) | |
| | | 120 Volts | | 120 Volts | |
| | | Amps | Watts | Amps | Watts |
| 4' | 1 | 0.05 | 5.9 | 0.12 | 14.9 |
| 6' | 2 | 0.08 | 9.4 | 0.20 | 23.8 |
| 8' | 2 | 0.10 | 11.8 | 0.25 | 29.9 |
| 12' | 3 | 0.15 | 17.6 | 0.37 | 44.8 |

| DEFROST CONTROLS | | |
|------------------|-------------------|----------------------|
| Defrosts Per Day | Timed-Off Defrost | |
| | Fail-Safe (Min) | Termination Temp (F) |
| | 6 | 40 |

NOTES:

- "---" indicates that the feature is not an option on this case model and/or the data is not available at this time.
- Listed discharge air velocity represents the average velocity immediately after defrost.
- Temperature and defrost settings listed above are recommended start-up settings. Final operational settings may need to be adjusted for the store conditions in which the case operates.



ALL MEASUREMENTS ARE TAKEN PER ASHRAE-72 SPECIFICATIONS. HILLPHOENIX REFRIGERATED DISPLAY CASES FOR SALE IN THE UNITED STATES MEET OR EXCEED DEPARTMENT OF ENERGY 2017 REQUIREMENTS.

OHHMQA-NRG

| Rev. Date | Rev. # | Rev. Title |
|-----------|--------|---------------|
| 10-20-20 | 4 | SOLOCHILL V5 |
| 2-11-20 | 3 | FASCIA UPDATE |



A DOVER COMPANY

OHHMQA-NRG

4', 6', 8' & 12' High Multi-Deck Merchandiser with Synerg-E™
Deli / Meat / Seafood



| SOLOCHILL DATA | | | @95° Condensing Temperature | | |
|------------------------|-------|-------------|-----------------------------|--------------------|------------------------------|
| Volts | Phase | Frequency | Wire | | |
| 208 | 1 | 60 | 3 Wire + Ground | | |
| Application | | Case Length | Evaporator Temp (°F) | Discharge Air (°F) | Discharge Air Velocity (FPM) |
| DAIRY/DELI/CUT PRODUCE | | 4' | 25 | 30 | 200 |
| DAIRY/DELI/CUT PRODUCE | | 6' | 25 | 30 | 200 |
| DAIRY/DELI/CUT PRODUCE | | 8' | 25 | 30 | 200 |
| DAIRY/DELI/CUT PRODUCE | | 12' | 25 | 30 | 200 |
| MEAT | | 4' | 25 | 30 | 200 |
| MEAT | | 6' | 25 | 30 | 200 |
| MEAT | | 8' | 25 | 30 | 200 |
| MEAT | | 12' | 25 | 30 | 200 |

| Application | Case Length | R448A | | | | | |
|------------------------|-------------|-----------------------|------|-----|-------------------|------------|-----------|
| | | Condensing Unit Model | MCA | MOP | Required Capacity | THR (BTUH) | Flow Rate |
| DAIRY/DELI/CUT PRODUCE | 4' | DA130 | 11.5 | 15 | 6268 | 7862 | 2.3 |
| DAIRY/DELI/CUT PRODUCE | 6' | DA220 | 18.3 | 20 | 9402 | 11545 | 3.3 |
| DAIRY/DELI/CUT PRODUCE | 8' | DA220 | 18.3 | 20 | 12536 | 15352 | 4.4 |
| DAIRY/DELI/CUT PRODUCE | 12' | DA420 | 37.1 | 40 | 18804 | 23331 | 6.7 |
| MEAT | 4' | DA130 | 11.5 | 15 | 5784 | 7259 | 2.1 |
| MEAT | 6' | DA220 | 18.3 | 20 | 8676 | 10664 | 3.1 |
| MEAT | 8' | DA220 | 18.6 | 20 | 11568 | 14175 | 4.1 |
| MEAT | 12' | DA420 | 37.1 | 40 | 17352 | 21549 | 6.2 |



ALL MEASUREMENTS ARE TAKEN PER ASHRAE-72 SPECIFICATIONS. HILLPHOENIX REFRIGERATED DISPLAY CASES FOR SALE IN THE UNITED STATES MEET OR EXCEED DEPARTMENT OF ENERGY 2017 REQUIREMENTS.

OHHMQA-NRG

| Rev. Date | Rev. # | Rev. Title |
|-----------|--------|---------------|
| 10-20-20 | 4 | SOLOCHILL V5 |
| 2-11-20 | 3 | FASCIA UPDATE |



A DOVER COMPANY

| FRONT OPTIONS | CORNICHE OPTIONS | | | | | | | |
|---------------|------------------|---------------------------------------------------------------------------------------|--------------------------------------------------------------------------------------------|--------------------------------------------------------------------------------------------|-------------------|-----------------------------------------------------------------------------------|--------------------------------------------------------------------------------------------|--------------------------------------------------------------------------------------------|
| | CURVED CORNICHE | CURVED CORNICHE WITH NIGHT COVER | FACETED CORNICHE | FACETED CORNICHE WITH NIGHT COVER | FLAT CORNICHE | FLAT CORNICHE WITH STANDARD NIGHT COVER | | |
| FRONT OPTIONS | FLAT FRONT 2 | STANDARD FRONT 11" BASEFRAME: 28 1/8" [71.5 cm] 5" BASEFRAME: 22 3/8" [56.7 cm] | EXTENDED STANDARD FRONT 11" BASEFRAME: 33 1/8" [84.0 cm] 5" BASEFRAME: 27" [68.6 cm] | 6" THERMOPANE FRONT 11" BASEFRAME: 33 3/8" [84.9 cm] 5" BASEFRAME: 27 3/8" [69.5 cm] | FLAT FRONT | STANDARD FRONT 11" BASEFRAME: 27" [68.7 cm] 5" BASEFRAME: 21 1/8" [53.8 cm] | EXTENDED STANDARD FRONT 11" BASEFRAME: 30" [76.2 cm] 5" BASEFRAME: 24 1/8" [61.3 cm] | 6" THERMOPANE FRONT 11" BASEFRAME: 33 1/8" [84.1 cm] 5" BASEFRAME: 27 1/4" [69.1 cm] |
| | CLASSIC 2 METAL | STANDARD FRONT 11" BASEFRAME: 27" [68.7 cm] 5" BASEFRAME: 21 1/8" [53.7 cm] | EXTENDED STANDARD FRONT 11" BASEFRAME: 30" [76.2 cm] 5" BASEFRAME: 24 1/8" [61.3 cm] | 6" THERMOPANE FRONT 11" BASEFRAME: 33 1/8" [84.2 cm] 5" BASEFRAME: 27 1/4" [69.3 cm] | CLASSIC 2 POLYMER | STANDARD FRONT 11" BASEFRAME: 27" [68.7 cm] 5" BASEFRAME: 21 1/8" [53.7 cm] | EXTENDED STANDARD FRONT 11" BASEFRAME: 30" [76.2 cm] 5" BASEFRAME: 24 1/8" [61.3 cm] | 6" THERMOPANE FRONT 11" BASEFRAME: 33 1/8" [84.2 cm] 5" BASEFRAME: 27 1/4" [69.3 cm] |
| | ORIGIN 2 | STANDARD FRONT 11" BASEFRAME: 27" [68.7 cm] 5" BASEFRAME: 21 1/8" [53.8 cm] | EXTENDED STANDARD FRONT 11" BASEFRAME: 30" [76.2 cm] 5" BASEFRAME: 24 1/8" [61.3 cm] | 6" THERMOPANE FRONT 11" BASEFRAME: 33 1/8" [84.2 cm] 5" BASEFRAME: 27 1/4" [69.3 cm] | | | | |

NOTES:

- Front sill height and overall case height varies with base frame height.
- Extended front sills are required on meat applications to maintain proper temperature. An extended front has a minimum height of 24" on a 5" baseframe or 30" on an 11" baseframe.

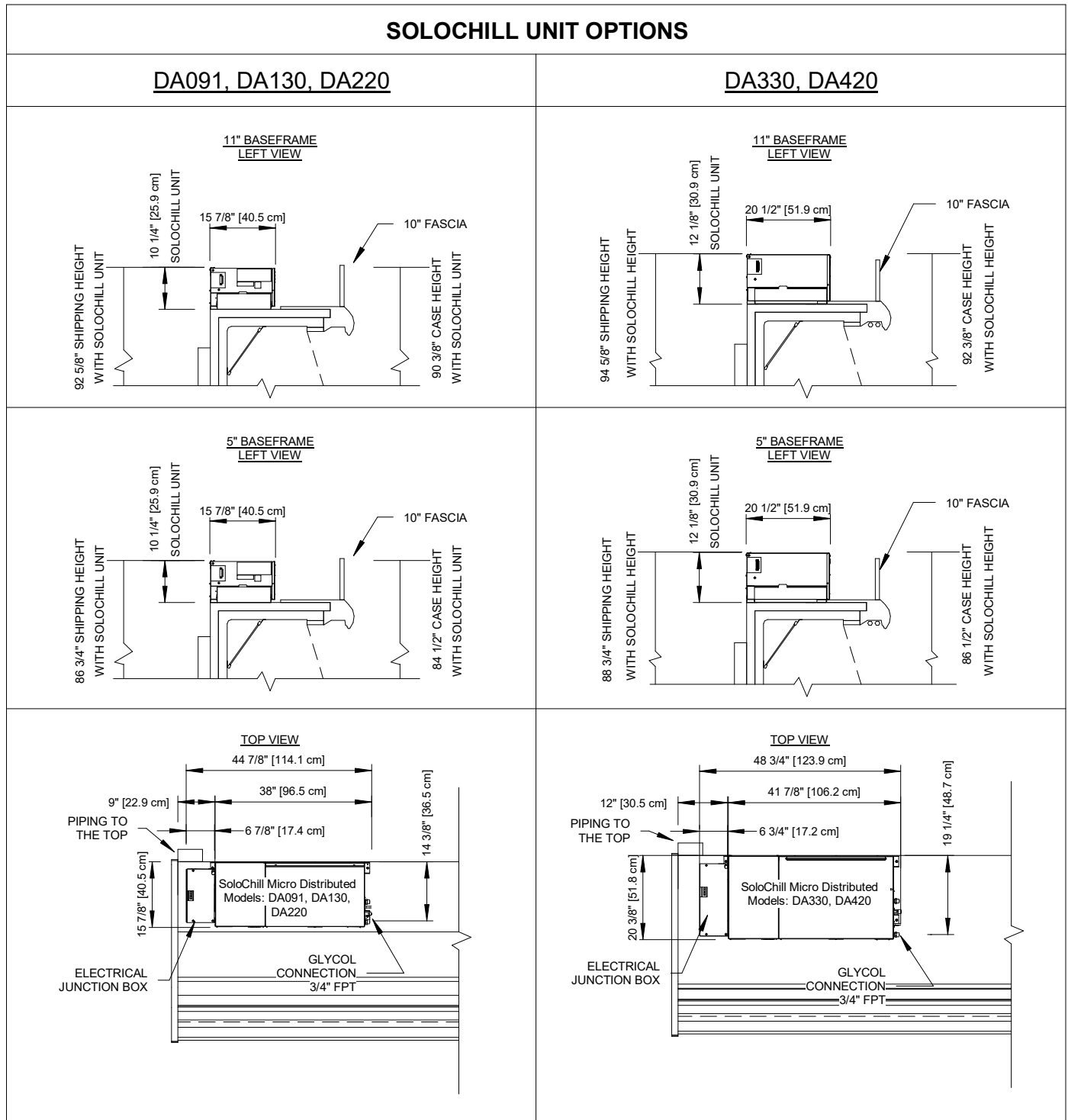


COMPONENT

ALL MEASUREMENTS ARE TAKEN PER ASHRAE-72 SPECIFICATIONS. HILLPHOENIX REFRIGERATED DISPLAY CASES FOR SALE IN THE UNITED STATES MEET OR EXCEED DEPARTMENT OF ENERGY 2017 REQUIREMENTS.

OHHMQA-NRG

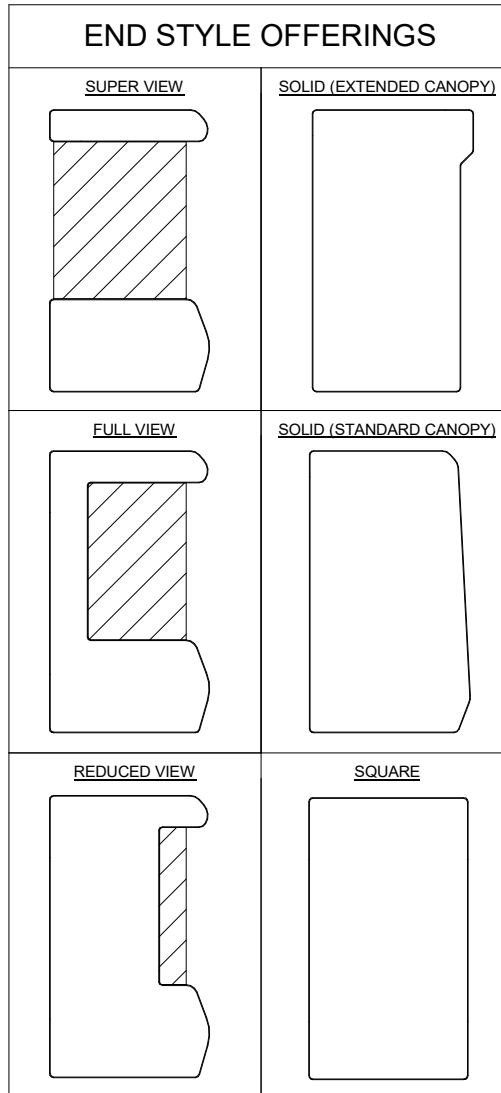
| Rev. Date | Rev. # | Rev. Title |
|-----------|--------|---------------|
| 10-20-20 | 4 | SOLOCHILL V5 |
| 2-11-20 | 3 | FASCIA UPDATE |



ALL MEASUREMENTS ARE TAKEN PER ASHRAE-72 SPECIFICATIONS. HILLPHOENIX REFRIGERATED DISPLAY CASES FOR SALE IN THE UNITED STATES MEET OR EXCEED DEPARTMENT OF ENERGY 2017 REQUIREMENTS.

OHHMQA-NRG

| Rev. Date | Rev. # | Rev. Title |
|-----------|--------|---------------|
| 10-20-20 | 4 | SOLOCHILL V5 |
| 2-11-20 | 3 | FASCIA UPDATE |



NOTES:

- Ends shown are for general use only. Shape, size, and appearance are subject to change based on engineering configuration.
- Hatched regions represent glass inserts.
- Ends add approximately 1" to case height, 1/2" to the back & 1" to the front.
- Ends are available with either polymer end trim or metal end trim.



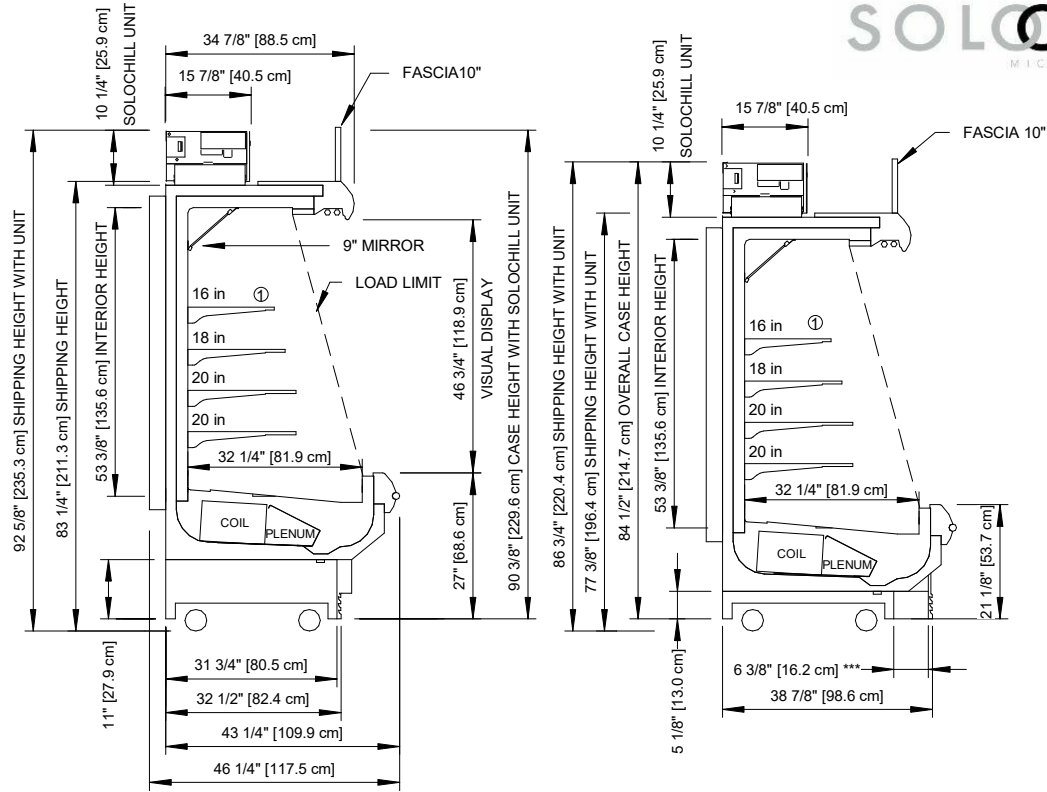
ALL MEASUREMENTS ARE TAKEN PER ASHRAE-72 SPECIFICATIONS. HILLPHOENIX REFRIGERATED DISPLAY CASES FOR SALE IN THE UNITED STATES MEET OR EXCEED DEPARTMENT OF ENERGY 2017 REQUIREMENTS.

OHHMQA-NRG

| Rev. Date | Rev. # | Rev. Title |
|-----------|--------|---------------|
| 10-20-20 | 4 | SOLOCHILL V5 |
| 2-11-20 | 3 | FASCIA UPDATE |

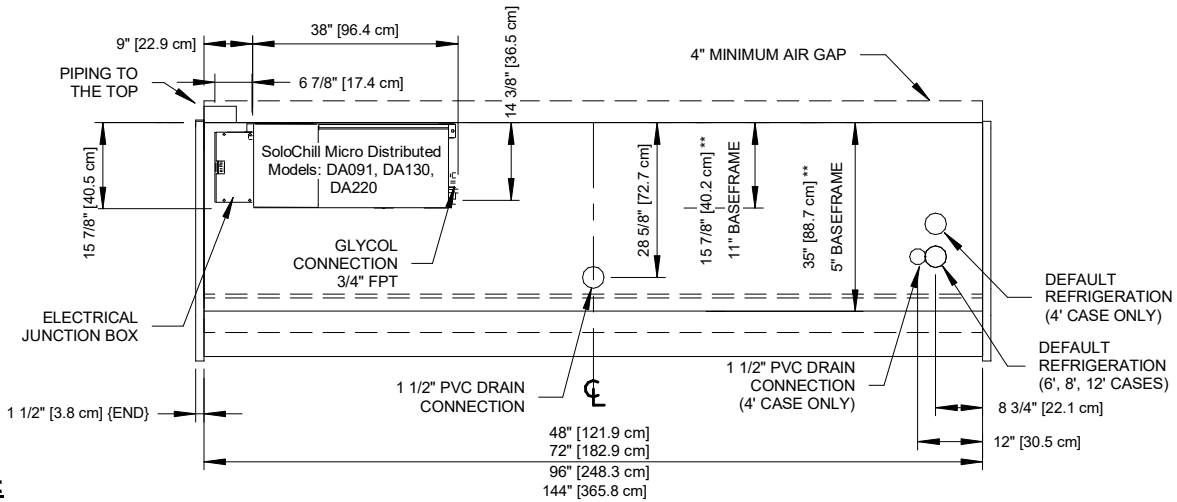
OHHMQA-NRG

4', 6', 8' & 12' High Multi-Deck Merchandiser with Synerg-E™
Deli / Meat / Seafood



11" BASEFRAME

5" BASEFRAME



NOTES:

- * :STUB-UP AREA
- ** :RECOMMENDED STUP-UP CENTERLINE FOR ELECTRICAL AND DRAINS
- ① :AVAILABLE SHELF SIZES: 16", 18", & 20" Articulating or 14", 16", 18", 20", 22" & 24" Standard ; (5) ROWS OF SHELVES MAX

- Ends add approximately 1" to case height, 1/2" to the back & 1" to the front.
- Back panels add approximately 1" to the rear of the case.



OHHMQA-NRG

ALL MEASUREMENTS ARE TAKEN PER ASHRAE-72 SPECIFICATIONS. HILLPHOENIX REFRIGERATED DISPLAY CASES FOR SALE IN THE UNITED STATES MEET OR EXCEED DEPARTMENT OF ENERGY 2017 REQUIREMENTS.

| Rev. Date | Rev. # | Rev. Title |
|-----------|--------|---------------|
| 10-20-20 | 4 | SOLOCHILL V5 |
| 2-11-20 | 3 | FASCIA UPDATE |



A DOVER COMPANY